

am



2007

XCL7

OWNER'S MANUAL

Keep With Vehicle At All Times.
Contains Important Information
On Safety, Operation & Maintenance.

SUZUKI
Caring for Customers

Part No. 99011-78J00-03E
September, 2006 

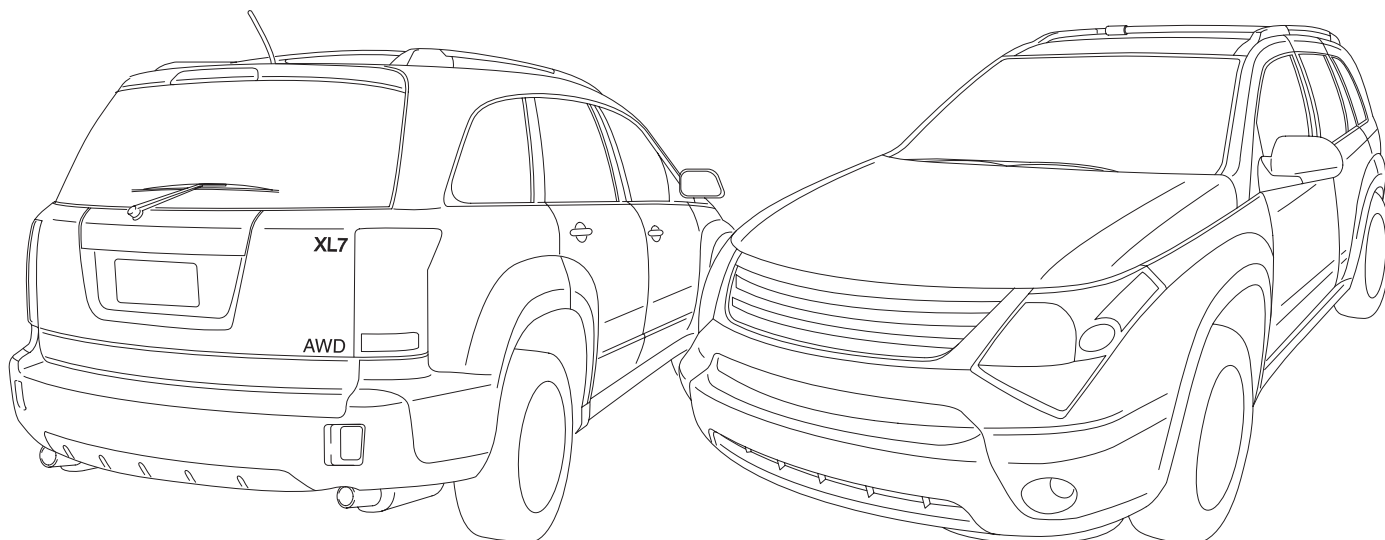
Prepared by
SUZUKI MOTOR CORPORATION

September, 2006

Part No. 99011-78J00-03E
Printed in U.S.A.

TP270

This owner's manual applies to the XL7 series:



NOTE: The illustrated model is one of the XL7 series.

© COPYRIGHT SUZUKI MOTOR CORPORATION 2006

INTRODUCTION

Thank you for choosing SUZUKI and welcome to our growing family. Your choice was a wise one; SUZUKI products are a great value that will give you years of driving pleasure.

This Owner's Manual was prepared to help you have a safe, enjoyable, and trouble-free experience with your SUZUKI. In it you will learn about the vehicle's operation, its safety features and maintenance requirements. Please read it carefully before operating your vehicle. Afterwards, keep this Manual in the glove box for future reference.

Should you resell the vehicle, please leave this Manual with it for the next owner.

In addition to the Owner's Manual, the other booklets provided with your SUZUKI explain the vehicle's warranties. We recommend you read them as well to familiarize yourself with this important information.

When planning the regular scheduled maintenance of your SUZUKI, we recommend you visit your local SUZUKI dealership. Their factory-trained technicians will provide the best possible service and use only genuine SUZUKI parts and accessories.

SUZUKI MOTOR CORPORATION

SERVICE STATION GUIDE

1. Fuel (see section 5)
2. Engine hood (see section 5)
3. Tire changing tools (see section 5)
4. Engine oil dipstick <Yellow> (see section 5)
5. Engine coolant (see section 5)
6. Windshield washer fluid (see section 5)
7. Battery (see section 5)
8. Tire pressure (see tire information label on driver's door lock pillar)
9. Spare tire (see section 5)

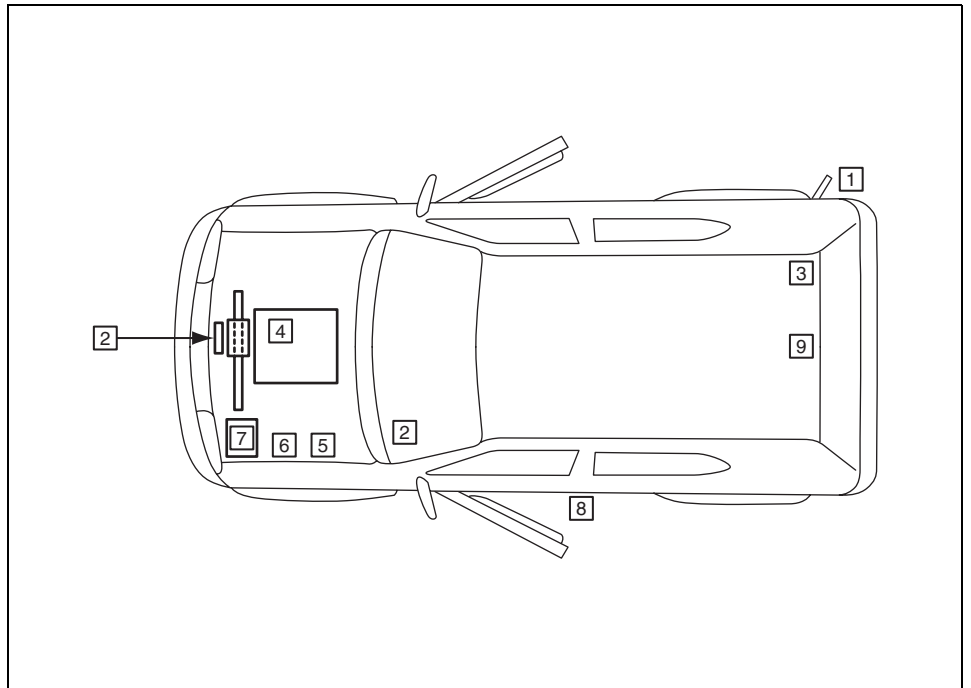


TABLE OF CONTENTS

California Proposition 65 Warning

⚠ WARNING

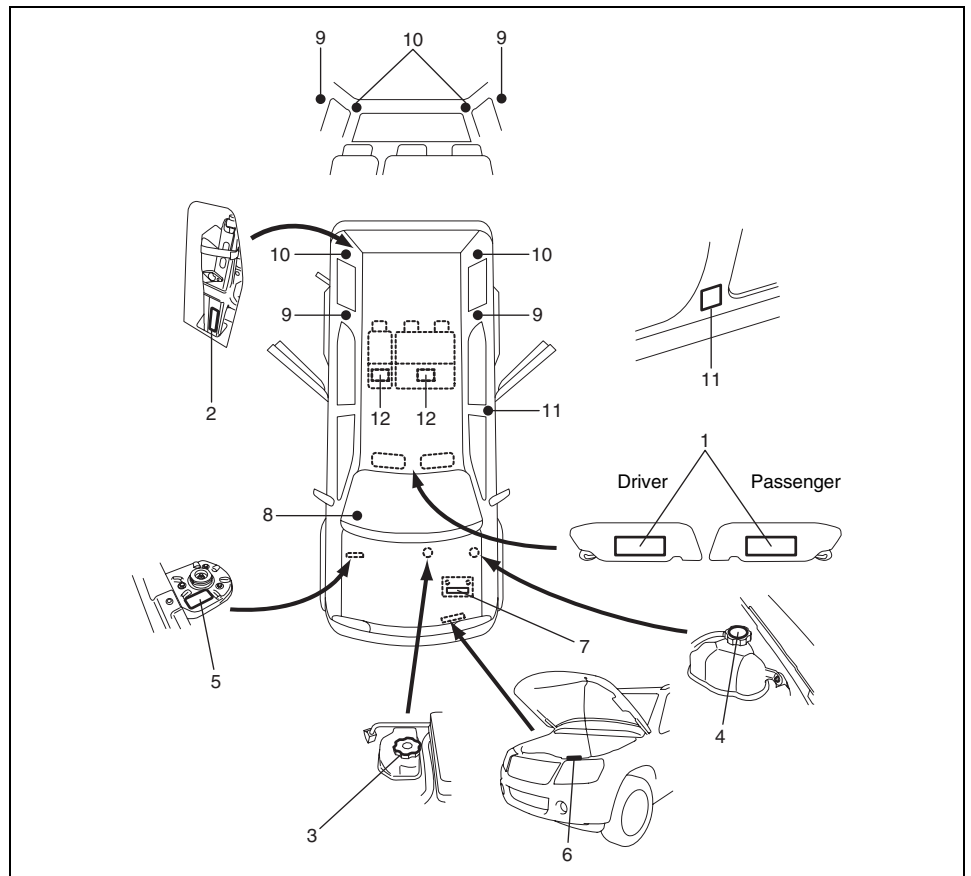
Engine exhaust, some of its constituents, and certain product components contain or emit chemicals known to the State of California to cause cancer and birth defects or other reproductive harm.

SEATS AND RESTRAINT SYSTEMS	1
FEATURES AND CONTENTS	2
INSTRUMENT PANEL	3
DRIVING YOUR VEHICLE	4
SERVICE AND APPEARANCE CARE	5
MAINTENANCE SCHEDULE	6
GENERAL INFORMATION	7
INDEX	8

LOCATION OF WARNING MESSAGES

Read and follow all of the warnings (labels etc.) on your vehicle. Make sure you understand all of them. Keep them on the vehicle. Do not remove the messages for any reason. If a label comes off or the messages become difficult to read, have it corrected by your SUZUKI dealer.

1. Airbag warning labels (on both sunvisors)
2. Jacking warning label
3. Brake fluid cap message
4. Surge tank cap message
5. Dynamo meter warning label
6. Air conditioner warning label
7. Battery label
8. Air bag warning tag
9. Side air bag warning label
10. Side air bag warning label (3 seats model only)
11. Pretensioner warning label
12. Second seat folding warning label



FOREWORD

All information in this manual is based on the latest product information available at the time of publication. Due to improvements or other changes, there may be discrepancies between information in this manual and your vehicle. SUZUKI MOTOR CORPORATION reserves the right to make production changes at any time, without notice and without incurring any obligation to make the same or similar changes to vehicles previously built or sold.

SUZUKI MOTOR CORPORATION believes in conservation and protection of Earth's natural resources.

To that end, we encourage every vehicle owner to recycle, trade in, or properly dispose of, as appropriate, used motor oil, coolant, and other fluids, batteries and tires.

IF YOU HAVE ANY PROBLEMS WITH YOUR SUZUKI:

Please review the New Vehicle Warranty Information booklet supplied with your SUZUKI. Should you have a question or problem regarding the warranty or service of your vehicle, please take the following action:

Consult the Service Manager and the Owner of the Suzuki Automotive Dealership. Explain your problem and ask for their assistance in resolving your problem. The Owner of the dealership is in the very best position to assist you as he or she is vitally concerned with your continued satisfaction.

If you are still in need of additional information, or if you are dissatisfied, request that your dealer arrange a meeting with your District Service Manager.

If, after doing so, you still require further assistance, and you purchased your SUZUKI in the continental United States, please contact the American Suzuki Customer Relations Department by telephone at 1-800-934-0934 or in writing at:

American Suzuki Motor Corporation
Automotive Customer Relations
3251 East Imperial Highway
Brea, CA 92821-6795

If you purchased your SUZUKI in Canada please contact the Suzuki Canada Customer Relations Department by telephone at 1-905-889-2677 extension 2254 or in writing at:

Suzuki Canada Inc.
Customer Relations
100 East Beaver Creek Road
Richmond Hill, On
L4B 1J6

In the event you require assistance related to your SUZUKI, while temporarily travelling in either the United States or Canada, you may wish to contact the Suzuki Customer Relations Department directly of the country in which you are temporarily operating your vehicle.

Please be certain to provide us with the following information: the model, Vehicle Identification Number, mileage, accessories involved, event dates, your concern, and any other comments which you may have. When we receive your correspondence, we will be pleased to contact the Owner of your dealership and assist in resolving your concern.

For owners outside the continental United States, please refer to the distributor's address listed in your Warranty Information booklet.

SUZUKI MOTOR CORPORATION

IMPORTANT

▲ WARNING/CAUTION/NOTE

Please read this manual and follow its instructions carefully. To emphasize special information, the symbol ▲ and the words **WARNING**, **CAUTION** and *NOTE* have special meanings. Pay special attention to the messages highlighted by these signal words:

▲ WARNING

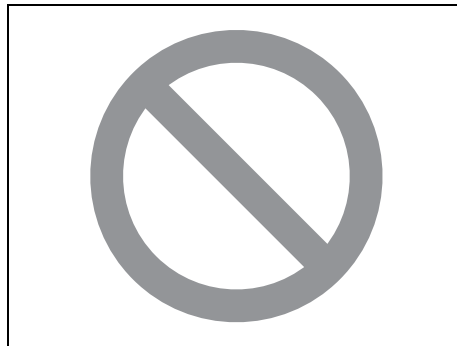
Indicates a potential hazard that could result in death or injury.

CAUTION

Indicates a potential hazard that could result in vehicle damage.

NOTE:

Indicates special information to make maintenance easier or instructions clearer.



75F135

The circle with a slash in this manual means "Don't do this" or "Don't let this happen".

MODIFICATION WARNING

▲ WARNING

Do not modify this vehicle. Modification could adversely affect safety, handling, performance or durability and may violate governmental regulations. In addition, damage or performance problems resulting from modification may not be covered under warranty.

CAUTION

Improper installation of mobile communication equipment such as cellular telephones or CB (Citizen's Band) radios may cause electronic interference with your vehicle's ignition system, resulting in vehicle performance problems. Consult your SUZUKI dealer or qualified service technician for advice on installing such mobile communication equipment.















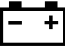
















Vehicle Symbols

Your vehicle has components and labels that use symbols instead of text. Symbols, used on your vehicle, are shown along with the text describing the operation or information relating to a specific component, control, message, gauge or indicator.

If you need help figuring out a specific name of a component, gauge or indicator, reference the following topics:

- Seats and Restraint Systems in Section 1
- Features and Controls in Section 2
- Instrument Panel Overview in Section 3
- Climate Controls in Section 3
- Warning Lights, gauges and Indicators in Section 3
- Audio System(s) in Section 3
- Engine Compartment Overview in Section 5

These are some examples of vehicle symbols you may find on your vehicle:

CAUTION POSSIBLE INJURY 	LATCH BOTH LAP AND SHOULDER BELTS TO PROTECT OCCUPANT DO NOT TWIST SAFETY BELT WHEN ATTACHING 	MASTER LIGHTING SWITCH 	ENGINE COOLANT TEMP 	TIRE PRESSURE 	
PROTECT EYES BY SHIELDING 	FASTEN SEAT BELTS 	AIRBAG 	TURN SIGNALS 	FUSE BOX ACCESS 	
CAUSTIC BATTERY ACID COULD CAUSE BURNS 	MOVE SEAT FULLY REARWARD SECURE CHILD SEAT 	DO NOT INSTALL A REAR-FACING CHILD RESTRAINT IN THIS SEATING POSITION 	PARKING LAMPS 	BATTERY CHARGING SYSTEM 	ENGINE COOLANT FAN 
AVOID SPARKS OR FLAMES 	PULL BELT OUT COMPLETELY THEN SECURE CHILD SEAT 	DO NOT INSTALL A FORWARD-FACING CHILD RESTRAINT IN THIS SEATING POSITION 	HAZARD WARNING FLASHER 	COOLANT 	FUEL 
SPARK OR FLAME COULD EXPLODE BATTERY 	POWER WINDOW 	DOOR LOCK UNLOCK 	DAYTIME RUNNING LAMPS 	ENGINE OIL PRESSURE 	OWNER'S MANUAL 
			FOG LAMPS 	ANTI-LOCK BRAKES (ABS) 	SERVICE MANUAL 

809119

SEATS AND RESTRAINT SYSTEMS

SEATS AND RESTRAINT SYSTEMS

- Front Seats 1-1**
- Rear Seats 1-6**
- Safety Belts 1-9**
- Child Restraints 1-18**
- Airbag System 1-33**
- Restraint System Check 1-42**

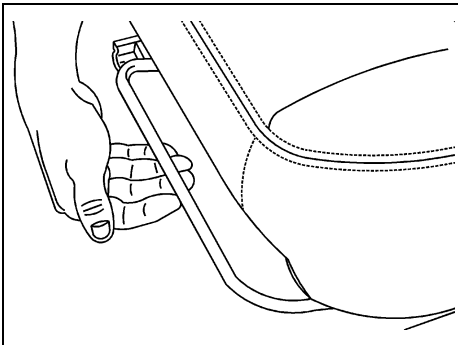
SEATS AND RESTRAINT SYSTEMS

Front Seats

Manual Seats

⚠ WARNING

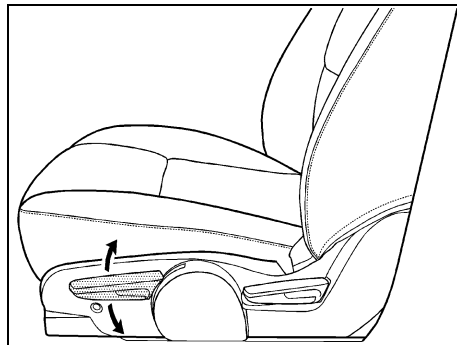
You can lose control of the vehicle if you try to adjust a manual driver's seat while the vehicle is moving. The sudden movement could startle and confuse you, or make you push a pedal when you do not want to. Adjust the driver's seat only when the vehicle is not moving.



808318

Lift the bar located under the front of the seat to unlock it. Slide the seat to where you want it and release the bar. Try to move the seat with your body to be sure the seat is locked in place.

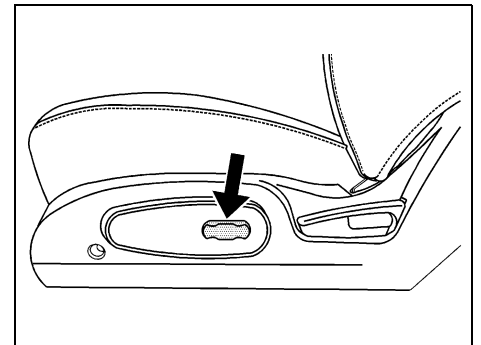
Driver Seat Height Adjuster



1618867

If your vehicle has a manual driver seat height adjuster, it is located on the outboard side of the seat near the front of the seat cushion. To raise the seat, move the lever upward repeatedly until the seat is at the desired height. To lower the seat, move the lever downward repeatedly until the seat is at the desired height.

Power Seat



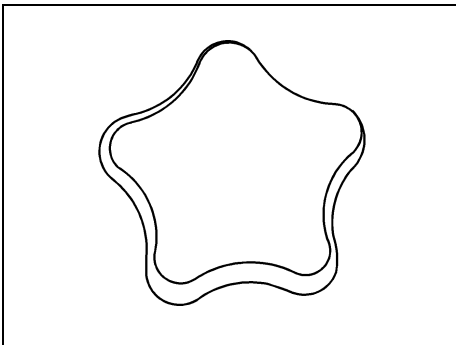
1407195

If the vehicle has a power seat, the control used to operate it is located on the outboard side of the driver's seat. To adjust the seat do any of the following:

- Move the seat forward or rearward by sliding the control forward or rearward.
- Raise or lower the front part of the seat cushion by moving the front of the control up or down.
- Raise or lower the rear part of the seat cushion by moving the rear of the control up or down.

SEATS AND RESTRAINT SYSTEMS

Manual Lumbar

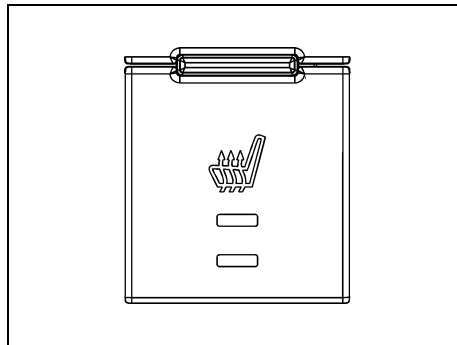


1211985

If your vehicle has this feature, the knob is located on the front of the driver seat lower cushion on the inboard side.

Turn the knob clockwise or counterclockwise to increase or decrease the lumbar support.

Heated Seats



1761660

If your vehicle has heated seats, the switches are located on the instrument panel near the climate controls.

The ignition must be on for the heated seats to operate.

Press the switch, nearest to the seat, once to turn the heated seat on to the high setting. Both indicator lights will be lit. Press the switch a second time to turn the heated seat to the low setting. One indicator light will be lit. Press the switch a third time to turn the heated seat off.

Manual Reclining Seatbacks

▲ WARNING

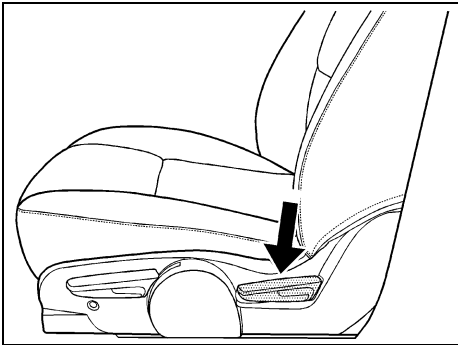
You can lose control of the vehicle if you try to adjust a manual driver's seat while the vehicle is moving. The sudden movement could startle and confuse you, or make you push a pedal when you do not want to. Adjust the driver's seat only when the vehicle is not moving.

▲ WARNING

If the seatback is not locked, it could move forward in a sudden stop or crash. That could cause injury to the person sitting there. Always push and pull on the seatback to be sure it is locked.

SEATS AND RESTRAINT SYSTEMS

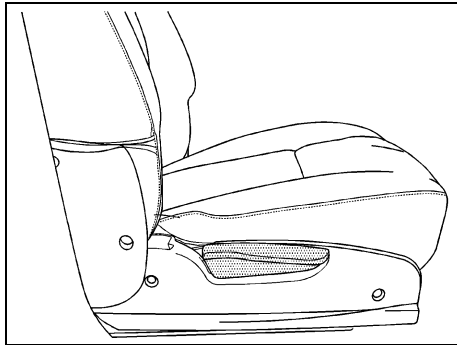
Driver's seat with manual recline and manual height adjuster shown



1618868

To adjust the seatback on the driver's seat, lift the lever on the rear outboard side of the seat and move the seatback to the desired position. Then release the lever to lock the seatback in place.

Passenger seat with folding seatback option shown



1618866

To adjust the seatback on the front passenger's seat, lift the lever on the outboard side of the seat and move the seatback to the desired position. Then release the lever to lock the seatback in place. If your front passenger's seat is a flat folding seat, you must fully raise the lever to disengage the seatback.



806881

⚠ WARNING

Sitting in a reclined position when your vehicle is in motion can be dangerous. Even if you buckle up, your safety belts cannot do their job when you are reclined like this.

The shoulder belt cannot do its job because it will not be against your body. Instead, it will be in front of you. In a crash, you could go into it, receiving neck or other injuries.

The lap belt cannot do its job either. In a crash, the belt could go up over your abdomen. The belt forces would be there, not at your pelvic bones. This could cause serious internal injuries.

(Continued)

SEATS AND RESTRAINT SYSTEMS

⚠ WARNING

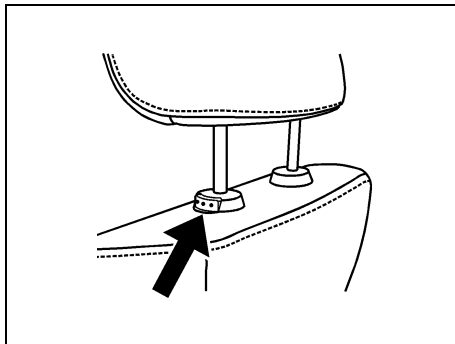
(Continued)
For proper protection when the vehicle is in motion, have the seatback upright. Then sit well back in the seat and wear your safety belt properly.

Do not have a seatback reclined if your vehicle is moving.

Head Restraints

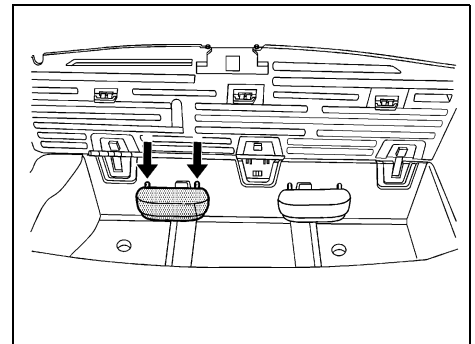


Adjust the head restraint so that the top of the restraint is at the same height as the top of the occupant's head. This position reduces the chance of a neck injury in a crash.



Pull the head restraint up to raise it. To lower the head restraint, press the button, located on the top of the seatback, and push the restraint down.

The third row head rests adjust like the front seat head restraints.



The third row seat head rests can be removed from the seatback. To do this, press the button, located on the top of the seatback, and pull them out from the seatback. Store the head rest, front side facing up, in the compartment behind the third row, by inserting the head rest posts into the slots in the storage area.

SEATS AND RESTRAINT SYSTEMS

Passenger Folding Seatback

The front passenger's seatback may fold flat.

⚠ WARNING

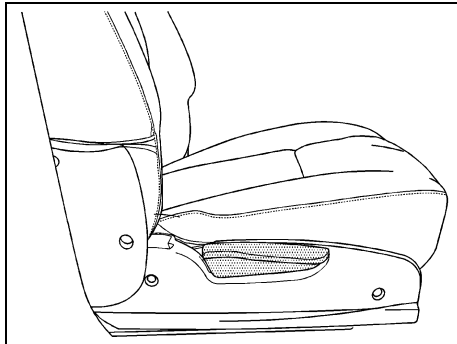
If you fold the seatback forward to carry longer objects, such as skis, be sure any such cargo is not near an airbag. In a crash, an inflating airbag might force that object toward a person. This could cause severe injury or even death. Secure objects away from the area in which an airbag would inflate. For more information, refer to "Where Are the Airbags?" in this section and refer to "Loading Your Vehicle" in "Your Driving, the Road, and Your Vehicle" in the "Driving Your Vehicle" section.

⚠ WARNING

Things you put on this seatback can strike and injure people in a sudden stop or turn, or in a crash. Remove or secure all items before driving.

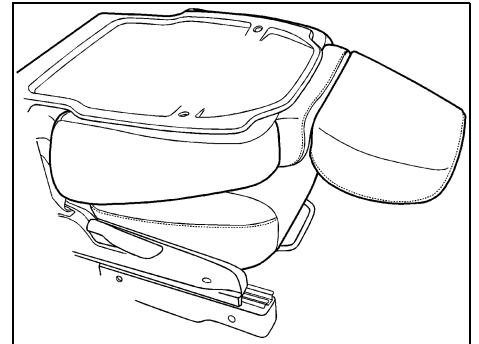
To fold the seatback, do the following:

- 1) Lower the head restraint all the way.
- 2) Lift the bar under the front of the seat to unlock it. Slide the seat as far back as it will go and release the bar. Try to move the seat back and forth to make sure it is locked into place.



1618866

- 3) Lift the recliner lever, located on the outboard side of the seat, up fully and fold the seatback forward until it disengages.



1618864

- 4) Continue to fold the seat forward until it locks in the folded position.
- 5) Pull up on the seatback to be sure it is locked.

SEATS AND RESTRAINT SYSTEMS

To raise the seatback, do the following:

- 1) Lift the recliner lever, located on the outboard side of the seat, up fully and push up on the seatback.
- 2) Continue raising the seatback until the seatback re-engages.

⚠ WARNING

If the seatback is not locked, it could move forward in a sudden stop or crash. That could cause injury to the person sitting there. Always push and pull on the seatback to be sure it is locked.

- 3) Push and pull on the seatback to make sure it is locked in place.

The recliner lever is also used to recline the seatback while a passenger is seated. Refer to "Manual Reclining Seatbacks" in this section.

Rear Seats

Split Folding the Second Row Seat

The second row split bench seatbacks have four available positions – folded forward, upright, partially reclined, or fully reclined. Both of the seatbacks can be moved to any of the four positions independent of the other seatback position.

⚠ WARNING

If the seatback is not locked, it could move forward in a sudden stop or crash. That could cause injury to the person sitting there. Always push and pull on the seatback to be sure it is locked.

⚠ WARNING

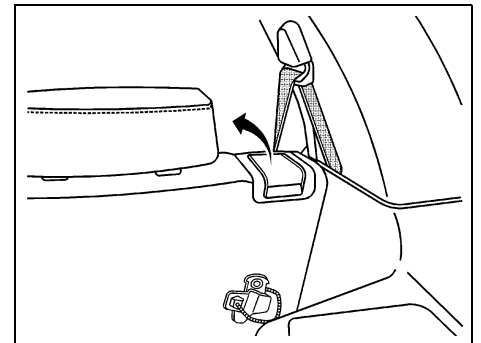
A safety belt that is improperly routed, not properly attached, or twisted will not provide the protection needed in a crash. The person wearing the belt could be seriously injured. After raising the rear seatback, always check to be sure that the safety belts are properly routed and attached, and are not twisted.

To fold the seatback down, do the following:

CAUTION

Folding a rear seat with the safety belts still fastened may cause damage to the seat or the safety belts. Always unbuckle the safety belts and return them to their normal stowed position before folding a rear seat.

- 1) Ensure all three of the safety belts are unbuckled and removed from the child comfort guide, and the front seatbacks are not reclined.
- 2) Lower the headrest.



1406907

- 3) Lift the lever located on the top of the seatback to release the seatback.
- 4) Fold the seatback forward.

SEATS AND RESTRAINT SYSTEMS

- 5) Push and pull on the seatback to make sure it is locked.

To recline the seatback, do the following:

- 1) Lift and hold the lever located on top of the seatback.
- 2) Tilt the seatback rearward, then release the lever when the seatback is in the desired position.
- 3) Push and pull on the seatback to make sure it is locked.

Folding and Tumbling the Seat(s)

▲ WARNING

Be sure to return the seat to the passenger seating position when finished. Push and pull on the seat to make sure it is locked into place. Never use the third row seating position while the second row is folded, or folded and tumbled. This could cause injury in a sudden stop or crash.

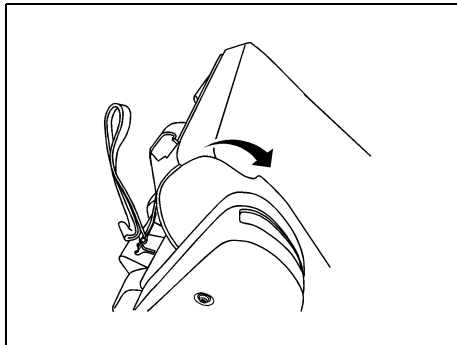
To fold and tumble the seat, do the following:

- 1) Make sure that there is nothing under, in front of, or on the seat.

CAUTION

Folding a rear seat with the safety belts still fastened may cause damage to the seat or the safety belts. Always unbuckle the safety belts and return them to their normal stowed position before folding a rear seat.

- 2) Fold the seatback forward. Leaving the seatback in this position creates a flat load floor. If the seatback cannot fold flat, try moving the front seat forward and/or put the front seatback in the upright position.



1831564

- 3) Use the pullstrap to release the rear of the seat from the floor. As you use the pullstrap, pull forward on the seat to lift it into its tumbled position.

Returning the Seat(s) to the Sitting Position

To return the seat to the sitting position, do the following:

- 1) Pull the seat down until it latches to the floor. Push and pull on the seat cushion to make sure it is locked.

▲ WARNING

If the seatback is not locked, it could move forward in a sudden stop or crash. That could cause injury to the person sitting there. Always push and pull on the seatback to be sure it is locked.

Do not hit or entrap any part of a third row seat occupant's body when returning the folded or tumbled second row seat to the floor.

- 2) Lift the seatback and push it rearward. Push and pull on the seatback to make sure it is locked.

SEATS AND RESTRAINT SYSTEMS

Third Row Seat

▲ WARNING

Be sure to return the seat to the passenger seating position when finished. Push and pull on the seat to make sure it is locked into place. Never use the third row seating position while the second row is folded, or folded and tumbled. This could cause injury in a sudden stop or crash.

If the vehicle has a third row seat, the seatback(s) can be folded.

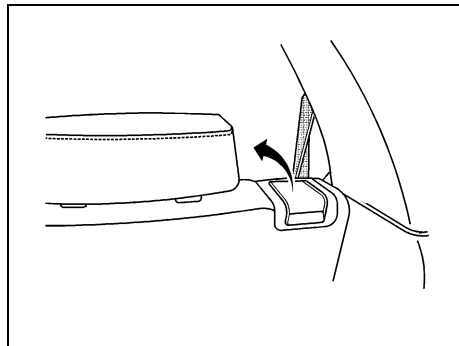
Folding the Seatback(s)

To fold the seatback, do the following:

- 1) Remove all items on the seat cushion.

CAUTION

Folding a rear seat with the safety belts still fastened may cause damage to the seat or the safety belts. Always unbuckle the safety belts and return them to their normal stowed position before folding a rear seat.



1811392

- 2) Lift the lever, located on the top of the seatback on the outboard side of the seat and fold the seatback forward.

Unfolding the Seatback(s)

To return the seatback to the upright position, do the following:

- 1) Open the liftgate to access the pullstrap for the seat.
- 2) Use the pullstrap on the seatback to pull the seatback up until it locks into the upright position.

▲ WARNING

If the seatback is not locked, it could move forward in a sudden stop or crash. That could cause injury to the person sitting there. Always push and pull on the seatback to be sure it is locked.

- 3) Push and pull on the seatback to make sure it is locked.

SEATS AND RESTRAINT SYSTEMS

Safety Belts

Safety Belts: They Are for Everyone

This part of the manual tells you how to use safety belts properly. It also tells you some things you should not do with safety belts.

⚠ WARNING

Do not let anyone ride where he or she cannot wear a safety belt properly. If you are in a crash and you are not wearing a safety belt, your injuries can be much worse. You can hit things inside the vehicle or be ejected from it. You can be seriously injured or killed. In the same crash, you might not be, if you are buckled up. Always fasten your safety belt, and check that your passengers' belts are fastened properly too.

⚠ WARNING

It is extremely dangerous to ride in a cargo area, inside or outside of a vehicle. In a collision, people riding in these areas are more likely to be seriously injured or killed. Do not allow people to ride in any area of your vehicle that is not equipped with seats and safety belts. Be sure everyone in your vehicle is in a seat and using a safety belt properly.

Your vehicle has indicators to remind you and your passengers to buckle your safety belts. Refer to "Safety Belt Reminder Light" and "Passenger Safety Belt Reminder Light" in "Warning Lights, Gages, and Indicators" in the "Instrument Panel" section.

In most states and in all Canadian provinces, the law says to wear safety belts. Here is why: They work.

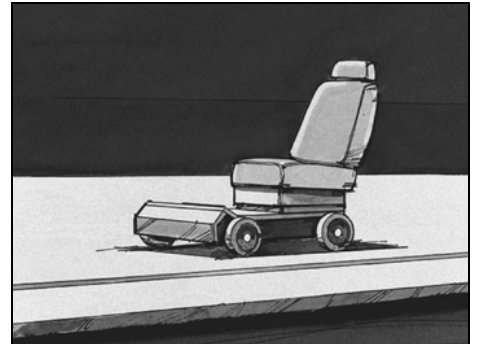
You never know if you will be in a crash. If you do have a crash, you do not know if it will be a bad one.

A few crashes are mild, and some crashes can be so serious that even buckled up, a person would not survive. But most crashes are in between. In many of them, people who buckle up can survive and sometimes walk away. Without belts they could have been badly hurt or killed.

After more than 40 years of safety belts in vehicles, the facts are clear. In most crashes buckling up does matter ... a lot!

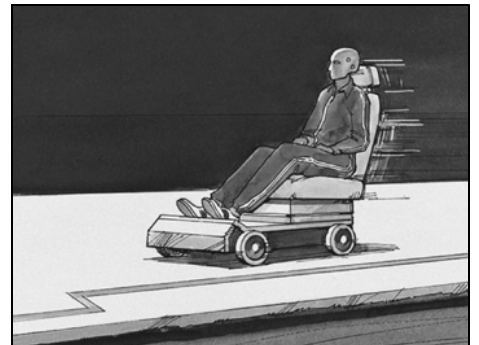
Why Safety Belts Work

When you ride in or on anything, you go as fast as it goes.



806079

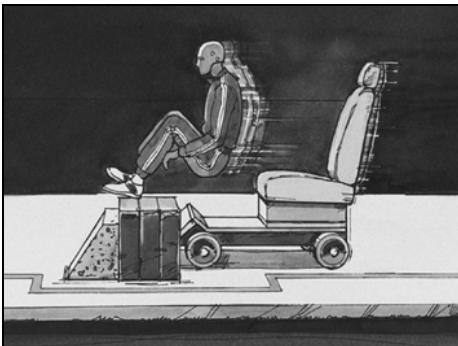
Take the simplest vehicle. Suppose it is just a seat on wheels.



805926

Put someone on it.

SEATS AND RESTRAINT SYSTEMS



805928

Get it up to speed. Then stop the vehicle. The rider does not stop.



805931

The person keeps going until stopped by something. In a real vehicle, it could be the windshield...



809245

or the instrument panel...



805935

or the safety belts!

With safety belts, you slow down as the vehicle does. You get more time to stop. You stop over more distance, and your

strongest bones take the forces. That is why safety belts make such good sense.

Questions and Answers About Safety Belts

Question:

Will I be trapped in the vehicle after an accident if I am wearing a safety belt?

Answer:

You could be – whether you are wearing a safety belt or not. But you can unbuckle a safety belt, even if you are upside down. And your chance of being conscious during and after an accident, so you can unbuckle and get out, is much greater if you are belted.

Question:

If my vehicle has airbags, why should I have to wear safety belts?

Answer:

Airbags are supplemental systems only; so they work with safety belts – not instead of them. Every airbag system ever offered for sale has required the use of safety belts. Even if you are in a vehicle that has airbags, you still have to buckle up to get the most protection. That is true not only in frontal collisions, but especially in side and other collisions.

SEATS AND RESTRAINT SYSTEMS

Question:

If I am a good driver, and I never drive far from home, why should I wear safety belts?

Answer:

You may be an excellent driver, but if you are in an accident – even one that is not your fault – you and your passengers can be hurt. Being a good driver does not protect you from things beyond your control, such as bad drivers.

Most accidents occur within 25 miles (40 km) of home. And the greatest number of serious injuries and deaths occur at speeds of less than 40 mph (65 km/h).

Safety belts are for everyone.

How to Wear Safety Belts Properly

This part is only for people of adult size.

Be aware that there are special things to know about safety belts and children. And there are different rules for smaller children and babies. If a child will be riding in your vehicle, refer to “Older Children” or “Infants and Young Children” in this section. Follow those rules for everyone’s protection.

First, you will want to know which restraint systems your vehicle has.

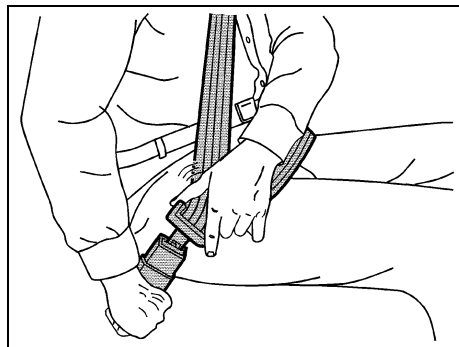
We will start with the driver position.

Driver Position

Lap-Shoulder Belt

The driver has a lap-shoulder belt. Here is how to wear it properly.

- 1) Close and lock the door.
- 2) Adjust the seat so you can sit up straight. To see how, see “Seats” in the Index.



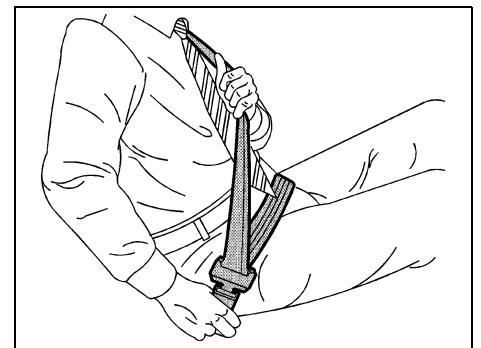
1378723

- 3) Pick up the latch plate and pull the belt across you. Do not let it get twisted. The lap-shoulder belt may lock if you pull the belt across you very quickly. If this happens, let the belt go back slightly to unlock it. Then pull the belt across you more slowly.
- 4) Push the latch plate into the buckle until it clicks. Pull up on the latch plate to make sure it is secure. If the belt is not long enough, refer to “Safety Belt Extender”

in this section.

Make sure the release button on the buckle is positioned so you would be able to unbuckle the safety belt quickly if you ever had to.

- 5) Move the shoulder belt height adjuster to the height that is right for you. Improper shoulder belt height adjustment could reduce the effectiveness of the safety belt in a crash. Refer to “Shoulder Belt Height Adjustment” in this section.

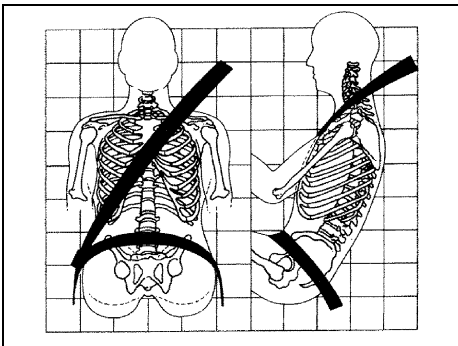


1378907

- 6) To make the lap part tight, pull up on the shoulder belt.

SEATS AND RESTRAINT SYSTEMS

It may be necessary to pull stitching on the safety belt through the latch plate to fully tighten the lap belt on smaller occupants.

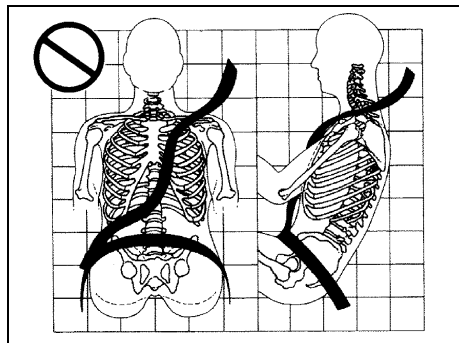


809246

The lap part of the belt should be worn low and snug on the hips, just touching the thighs. In a crash, this applies force to the strong pelvic bones. And you would be less likely to slide under the lap belt. If you slid under it, the belt would apply force at your abdomen. This could cause serious or even fatal injuries. The shoulder belt should go over the shoulder and across the chest. These parts of the body are best able to take belt restraining forces.

The safety belt locks if there is a sudden stop or crash.

Question:
What is wrong with this?



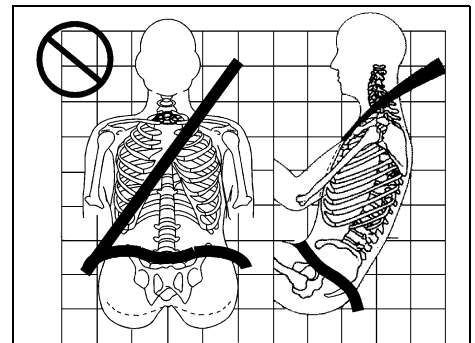
810723

Answer:
The shoulder belt is too loose. It will not give nearly as much protection this way.

⚠ WARNING

You can be seriously hurt if your shoulder belt is too loose. In a crash, you would move forward too much, which could increase injury. The shoulder belt should fit against your body.

Question:
What is wrong with this?



1697414

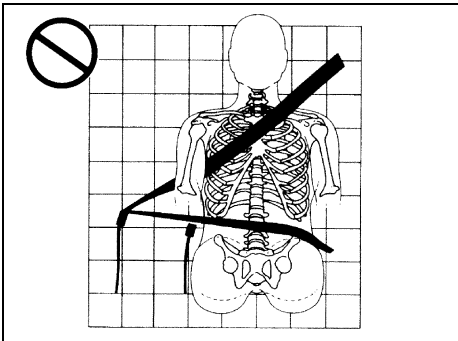
Answer:
The lap belt is too loose. It will not give nearly as much protection this way.

⚠ WARNING

You can be seriously hurt if your lap belt is too loose. In a crash, you could slide under the lap belt and apply force at your abdomen. This could cause serious or even fatal injuries. The lap belt should be worn low and snug on the hips, just touching the thighs.

SEATS AND RESTRAINT SYSTEMS

Question:
What is wrong with this?



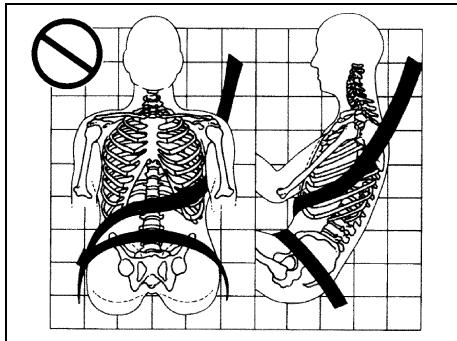
805942

Answer:
The belt is buckled in the wrong place.

⚠ WARNING

You can be seriously injured if your belt is buckled in the wrong place like this. In a crash, the belt would go up over your abdomen. The belt forces would be there, not at the pelvic bones. This could cause serious internal injuries. Always buckle your belt into the buckle nearest you.

Question:
What is wrong with this?



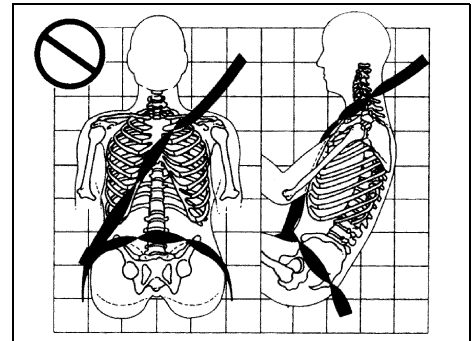
805947

Answer:
The shoulder belt is worn under the arm. It should be worn over the shoulder at all times.

⚠ WARNING

You can be seriously injured if you wear the shoulder belt under your arm. In a crash, your body would move too far forward, which would increase the chance of head and neck injury. Also, the belt would apply too much force to the ribs, which are not as strong as shoulder bones. You could also severely injure internal organs like your liver or spleen.

Question:
What is wrong with this?



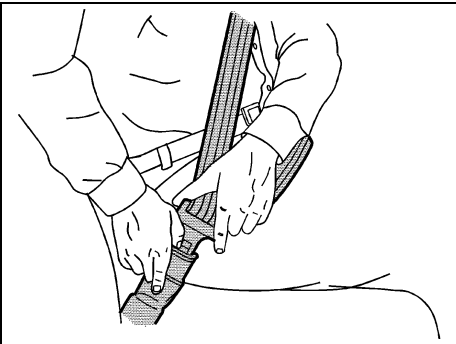
805951

Answer:
The belt is twisted across the body.

⚠ WARNING

You can be seriously injured by a twisted belt. In a crash, you would not have the full width of the belt to spread impact forces. If a belt is twisted, make it straight so it can work properly, or ask your dealer to fix it.

SEATS AND RESTRAINT SYSTEMS



1378915

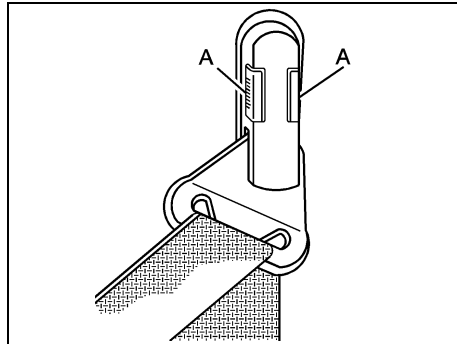
To unclatch the belt, push the button on the buckle. The belt should go back out of the way.

Before you close the door, be sure the belt is out of the way. If you slam the door on it, you can damage both the belt and your vehicle.

Shoulder Belt Height Adjustment

Before you begin to drive, move the shoulder belt height adjuster to the height that is right for you.

Adjust the height so that the shoulder portion of the belt is centered on your shoulder. The belt should be away from your face and neck, but not falling off your shoulder. Improper shoulder belt height adjustment could reduce the effectiveness of the safety belt in a crash.



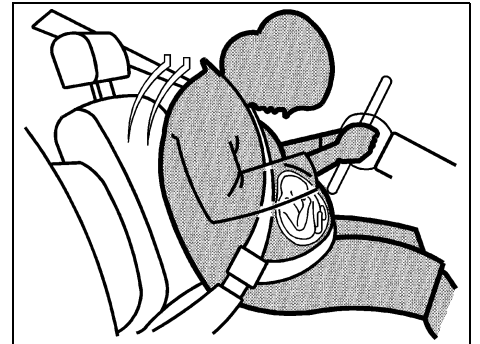
1507374

To move it up or down, squeeze the release buttons (A) together and move the height adjuster to the desired position.

After you move the height adjuster to where you want it, try to move it up or down without squeezing the release buttons to make sure it has locked into position.

Safety Belt Use During Pregnancy

Safety belts work for everyone, including pregnant women. Like all occupants, they are more likely to be seriously injured if they do not wear safety belts.



1379057

A pregnant woman should wear a lap-shoulder belt, and the lap portion should be worn as low as possible, below the rounding, throughout the pregnancy.

The best way to protect the fetus is to protect the mother. When a safety belt is worn properly, it is more likely that the fetus will not be hurt in a crash. For pregnant women, as for anyone, the key to making safety belts effective is wearing them properly.

SEATS AND RESTRAINT SYSTEMS

Right Front Passenger Position

To learn how to wear the right front passenger's safety belt properly, refer to "Driver Position" in this section.

The right front passenger's safety belt works the same way as the driver's safety belt – except for the following.

If you ever pull the shoulder portion of the belt out all the way, you will engage the child restraint locking feature. If this happens, just let the belt go back all the way and start again.

When the safety belt is not in use, slide the latch plate up the safety belt webbing. The latch plate should rest on the stitching on the safety belt, near the guide loop.

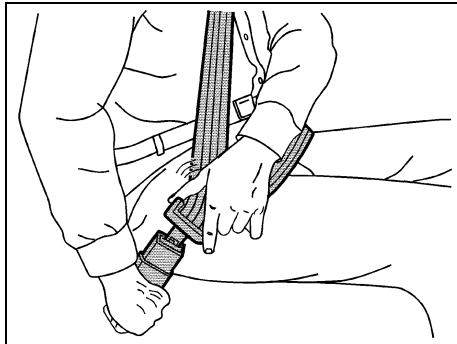
Rear Seat Passengers

It is very important for rear seat passengers to buckle up! Accident statistics show that unbelted people in the rear seat are hurt more often in crashes than those who are wearing safety belts.

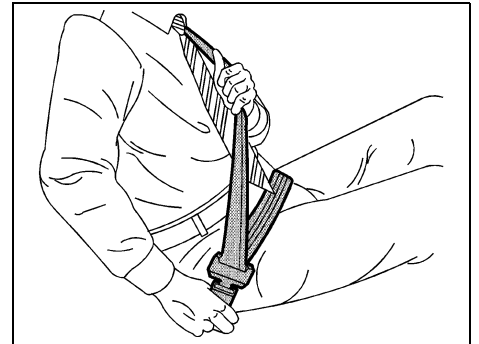
Rear passengers who are not safety belted can be thrown out of the vehicle in a crash. And they can strike others in the vehicle who are wearing safety belts.

Lap-Shoulder Belt

All rear seat positions have lap-shoulder belts. Here is how to wear one properly.



1378723



1378907

- 1) Pick up the latch plate and pull the belt across you. Do not let it get twisted.

The shoulder belt may lock if you pull the belt across you very quickly. If this happens, let the belt go back slightly to unlock it. Then pull the belt across you more slowly.

- 2) Push the latch plate into the buckle until it clicks.

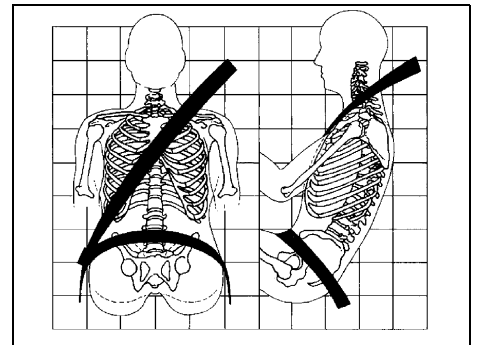
Pull up on the latch plate to make sure it is secure.

When the shoulder belt is pulled out all the way, it will lock. If it does, let it go back all the way and start again.

If the belt is not long enough, refer to "Safety Belt Extender" in this section.

Make sure the release button on the buckle is positioned so you would be able to unbuckle the safety belt quickly if you ever had to.

- 3) To make the lap part tight, pull up on the shoulder part.



805902

The lap part of the belt should be worn low and snug on the hips, just touching the thighs. In a crash, this applies force to the

SEATS AND RESTRAINT SYSTEMS

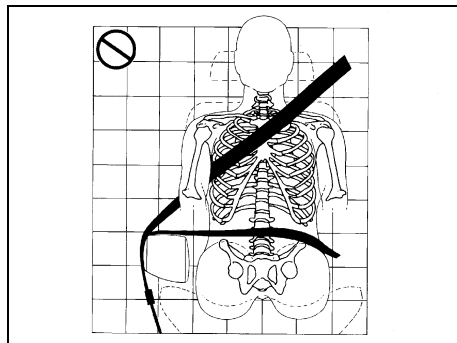
strong pelvic bones. And you would be less likely to slide under the lap belt. If you slid under it, the belt would apply force at your abdomen. This could cause serious or even fatal injuries. The shoulder belt should go over the shoulder and across the chest. These parts of the body are best able to take belt restraining forces.

The safety belt locks if there is a sudden stop or a crash.

▲ WARNING

You can be seriously hurt if your shoulder belt is too loose. In a crash, you would move forward too much, which could increase injury. The shoulder belt should fit against your body.

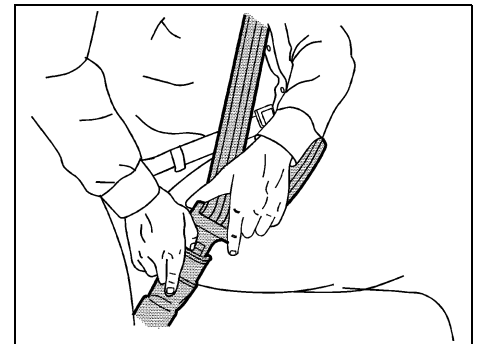
Question:
What is wrong with this?



Answer:
The belt is over an armrest.

▲ WARNING

You can be seriously injured if your belt goes over an armrest like this. The belt would be much too high. In a crash, you can slide under the belt. The belt force would then be applied at the abdomen, not at the pelvic bones, and that could cause serious or fatal injuries. Be sure the belt goes under the armrests.



To unlatch the belt, push the button on the buckle.

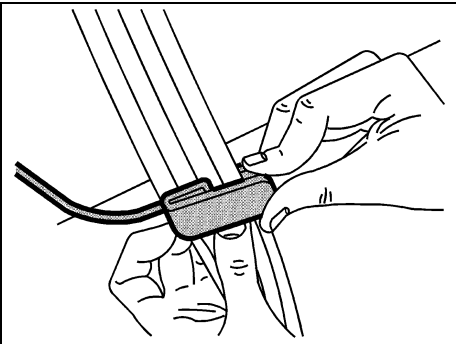
Rear Safety Belt Comfort Guides

Rear shoulder belt comfort guides may provide added safety belt comfort for older children who have outgrown booster seats and for some adults. When installed on a shoulder belt, the comfort guide positions the belt away from the neck and head.

There is one guide available for each outboard passenger position in the rear seat. Here is how to install a comfort guide to the safety belt:

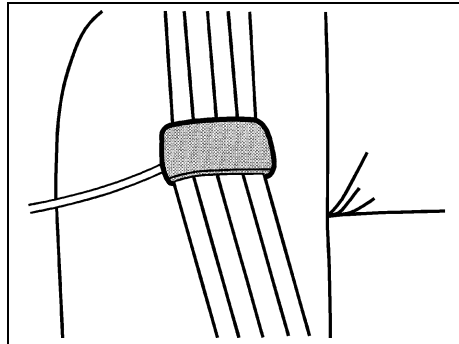
- 1) Remove the guide from its storage clip on the back of the seatback.

SEATS AND RESTRAINT SYSTEMS



1379299

- 2) Slide the guide under and past the belt. The elastic cord must be under the belt. Then, place the guide over the belt, and insert the two edges of the belt into the slots of the guide.

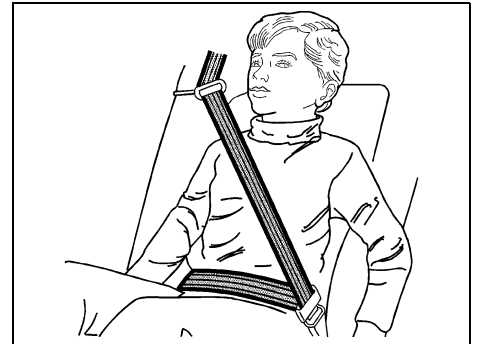


1397291

- 3) Be sure that the belt is not twisted and it lies flat. The elastic cord must be under the belt and the guide on top.

⚠ WARNING

A safety belt that is not properly worn may not provide the protection needed in a crash. The person wearing the belt could be seriously injured. The shoulder belt should go over the shoulder and across the chest. These parts of the body are best able to take belt restraining forces.



1400065

- 4) Buckle, position, and release the safety belt as described in "Rear Seat Passengers" in this section. Make sure that the shoulder belt crosses the shoulder.

To remove and store the comfort guide, squeeze the belt edges together so that you can take them out of the guide. Slide the guide back onto its storage clip located on the seatback.

SEATS AND RESTRAINT SYSTEMS

Safety Belt Pretensioners

Your vehicle has safety belt pretensioners for the driver and right front passenger. Although you cannot see them, they are part of the safety belt assembly. They help tighten the safety belts during the early stages of a moderate to severe frontal, near frontal, rear or side crash, or a roll-over if the threshold conditions for pretensioner activation are met.

Pretensioners work only once. If they activate in a crash, you will need to get new ones, and probably other new parts for your safety belt system. Refer to "Replacing Restraint System Parts After a Crash" in this section.

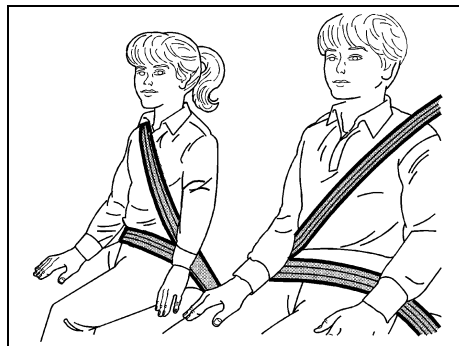
Safety Belt Extender

If the vehicle's safety belt will fasten around you, you should use it.

But if a safety belt is not long enough, your dealer will order you an extender. When you go in to order it, take the heaviest coat you will wear, so the extender will be long enough for you. To help avoid personal injury, do not let someone else use it, and use it only for the seat it is made to fit. The extender has been designed for adults. Never use it for securing child seats. To wear it, just attach it to the regular safety belt. For more information see the instruction sheet that comes with the extender.

Child Restraints

Older Children



1379300

Older children who have outgrown booster seats should wear the vehicle's safety belts.

Question:

What is the proper way to wear safety belts?

Answer:

An older child should wear a lap-shoulder belt and get the additional restraint a shoulder belt can provide. The shoulder belt should not cross the face or neck. The lap belt should fit snugly below the hips, just touching the top of the thighs. It should never be worn over the abdomen, which could cause severe or even fatal internal injuries in a crash.

According to accident statistics, children are safer when properly restrained in the rear seating positions than in the front seating positions.

In a crash, children who are not buckled up can strike other people who are buckled up, or can be thrown out of the vehicle. Older children need to use safety belts properly.

⚠ WARNING

Never do this.

Here two children are wearing the same belt. The belt cannot properly spread the impact forces. In a crash, the two children can be crushed together and seriously injured. A belt must be used by only one person at a time.

SEATS AND RESTRAINT SYSTEMS



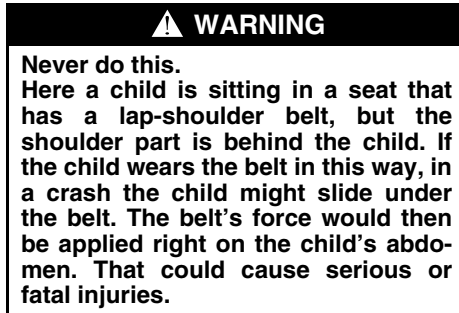
1379302

Question:

What if a child is wearing a lap-shoulder belt, but the child is so small that the shoulder belt is very close to the child's face or neck?

Answer:

If the child is sitting in a seat next to a window, move the child toward the center of the vehicle. Also refer to "Rear Safety Belt Comfort Guides" in this section. If the child is sitting in the center rear seat passenger position, move the child toward the safety belt buckle. In either case, be sure that the shoulder belt still is on the child's shoulder, so that in a crash the child's upper body would have the restraint that belts provide.

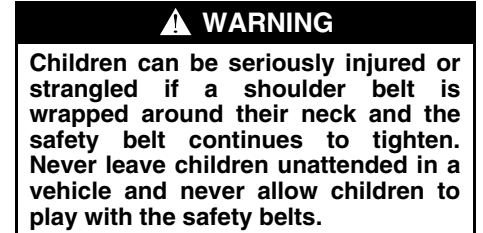


1379303

Wherever the child sits, the lap portion of the belt should be worn low and snug on the hips, just touching the child's thighs. This applies belt force to the child's pelvic bones in a crash.

Infants and Young Children

Everyone in a vehicle needs protection! This includes infants and all other children. Neither the distance traveled nor the age and size of the traveler changes the need, for everyone, to use safety restraints. In fact, the law in every state in the United States and in every Canadian province says children up to some age must be restrained while in a vehicle.



Every time infants and young children ride in vehicles, they should have the protection provided by appropriate restraints. Young children should not use the vehicle's adult safety belts alone, unless there is no other choice. Instead, they need to use a child restraint.

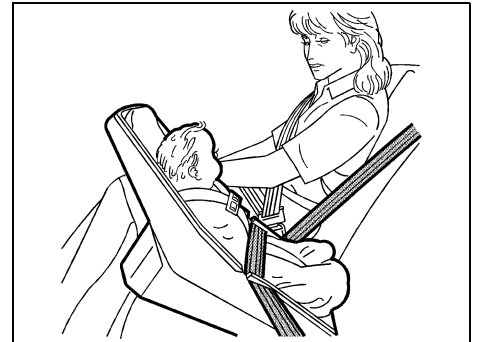
SEATS AND RESTRAINT SYSTEMS

⚠ WARNING

People should never hold a baby in their arms while riding in a vehicle. A baby does not weigh much – until a crash. During a crash a baby will become so heavy it is not possible to hold it. For example, in a crash at only 25 mph (40 km/h), a 12 lb (5.5 kg) baby will suddenly become a 240 lb (110 kg) force on a person's arms. A baby should be secured in an appropriate restraint.



1379304



1379315

⚠ WARNING

Children who are up against, or very close to, any airbag when it inflates can be seriously injured or killed. Airbags plus lap-shoulder belts offer protection for adults and older children, but not for young children and infants. Neither the vehicle's safety belt system nor its airbag system is designed for them. Young children and infants need the protection that a child restraint system can provide.

Question:

What are the different types of add-on child restraints?

Answer:

Add-on child restraints, which are purchased by the vehicle's owner, are available in four basic types. Selection of a particular restraint should take into consideration not only the child's weight, height, and age but also whether or not the restraint will be compatible with the motor vehicle in which it will be used.

For most basic types of child restraints, there are many different models available. When purchasing a child restraint, be sure it is designed to be used in a motor vehicle. If it is, the restraint will have a label saying that it meets federal motor vehicle safety standards.

SEATS AND RESTRAINT SYSTEMS

The restraint manufacturer's instructions that come with the restraint state the weight and height limitations for a particular child restraint. In addition, there are many kinds of restraints available for children with special needs.

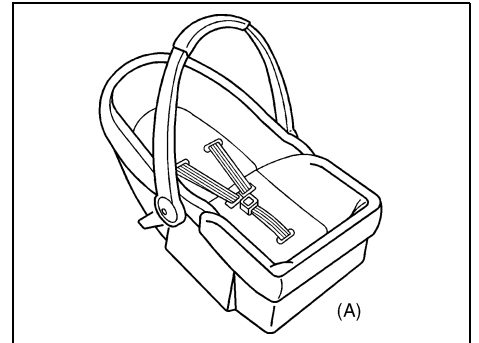
▲ WARNING

Newborn infants need complete support, including support for the head and neck. This is necessary because a newborn infant's neck is weak and its head weighs so much compared with the rest of its body. In a crash, an infant in a rear-facing seat settles into the restraint, so the crash forces can be distributed across the strongest part of an infant's body, the back and shoulders. Infants always should be secured in appropriate infant restraints.

▲ WARNING

The body structure of a young child is quite unlike that of an adult or older child, for whom the safety belts are designed. A young child's hip bones are still so small that the vehicle's regular safety belt may not remain low on the hip bones, as it should. Instead, it may settle up around the child's abdomen. In a crash, the belt would apply force on a body area that is unprotected by any bony structure. This alone could cause serious or fatal injuries. Young children always should be secured in appropriate child restraints.

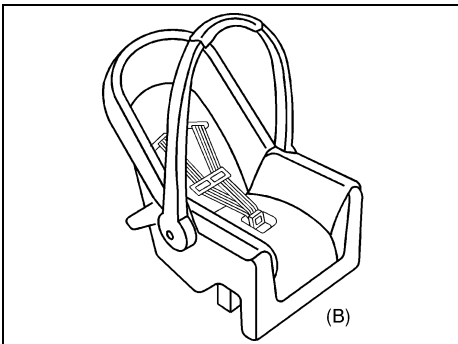
Child Restraint Systems



1379317

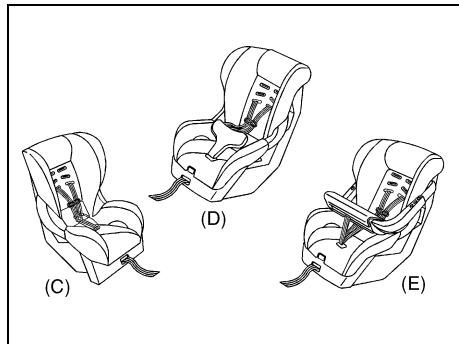
An infant car bed (A), a special bed made for use in a motor vehicle, is an infant restraint system designed to restrain or position a child on a continuous flat surface. Make sure that the infant's head rests toward the center of the vehicle.

SEATS AND RESTRAINT SYSTEMS



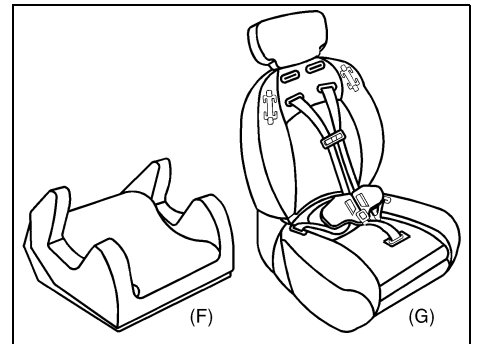
1383218

A rear-facing infant seat (B) provides restraint with the seating surface against the back of the infant. The harness system holds the infant in place and, in a crash, acts to keep the infant positioned in the restraint.



1395252

A forward-facing child seat (C–E) provides restraint for the child's body with the harness and also sometimes with surfaces such as T-shaped or shelf-like shields.



1395258

A booster seat (F–G) is a child restraint designed to improve the fit of the vehicle's safety belt system. Some booster seats have a shoulder belt positioner, and some high-back booster seats have a five-point harness. A booster seat can also help a child to see out the window.

SEATS AND RESTRAINT SYSTEMS

Question:
How Should I Use a Child Restraint?

Answer:

A child restraint system is any device designed for use in a motor vehicle to restrain, seat, or position children. A built-in child restraint system is a permanent part of the motor vehicle. An add-on child restraint system is a portable one, which is purchased by the vehicle's owner. To help reduce injuries, an add-on child restraint must be secured in the vehicle. With built-in or add-on child restraints, the child has to be secured within the child restraint.

When choosing an add-on child restraint, be sure the child restraint is designed to be used in a vehicle. If it is, it will have a label saying that it meets federal motor vehicle safety standards. Then follow the instructions for the restraint. You may find these instructions on the restraint itself or in a booklet, or both.

Securing an Add-on Child Restraint in the Vehicle

⚠ WARNING

A child can be seriously injured or killed in a crash if the child restraint is not properly secured in the vehicle. Make sure the child restraint is properly installed in the vehicle using the vehicle's safety belt or LATCH system, following the instructions that came with that restraint, and also the instructions in this manual.

To help reduce the chance of injury, the child restraint must be secured in the vehicle. Child restraint systems must be secured in vehicle seats by lap belts or the lap belt portion of a lap-shoulder belt, or by the LATCH system. Refer to "Lower Anchors and Tethers for Children (LATCH)" in this section for more information. A child can be endangered in a crash if the child restraint is not properly secured in the vehicle.

When securing an add-on child restraint, refer to the instructions that come with the restraint which may be on the restraint itself or in a booklet, or both, and to this manual. The child restraint instructions are important, so if they are not available, obtain a replacement copy from the manufacturer.

Keep in mind that an unsecured child restraint can move around in a collision or sudden stop and injure people in the vehicle. Be sure to properly secure any child restraint in your vehicle – even when no child is in it.

Securing the Child Within the Child Restraint

There are several systems for securing the child within the child restraint. One system, the three-point harness, has straps that come down over each of the infant's shoulders and buckle together at the crotch. The five-point harness system has two shoulder straps, two hip straps, and a crotch strap. A shield may take the place of hip straps. A T-shaped shield has shoulder straps that are attached to a flat pad which rests low against the child's body. A shelf- or armrest-type shield has straps that are attached to a wide, shelf-like shield that swings up or to the side.

⚠ WARNING

A child can be seriously injured or killed in a crash if the child is not properly secured in the child restraint. Make sure the child is properly secured, following the instructions that came with that restraint.

Because there are different systems, it is important to refer to the instructions that come with the restraint. A child can be

SEATS AND RESTRAINT SYSTEMS

endangered in a crash if the child is not properly secured in the child restraint.

Where to Put the Restraint

Accident statistics show that children are safer if they are restrained in the rear rather than the front seat. We recommend that child restraints be secured in a rear seat, including an infant riding in a rear-facing infant seat, a child riding in a forward-facing child seat and an older child riding in a booster seat. Never put a rear-facing child restraint in the front passenger seat. Here is why:

⚠ WARNING

A child in a rear-facing child restraint can be seriously injured or killed if the right front passenger's airbag inflates. This is because the back of the rear-facing child restraint would be very close to the inflating airbag. Even though the passenger sensing system is designed to turn off the right front passenger's frontal airbag if the system detects a rear-facing child restraint, no system is fail-safe, and no one can guarantee that an airbag will not deploy under some unusual circumstance, even though it is turned off. We recommend that rear-facing child restraints be secured in the rear seat, even if the airbag is off.

(Continued)

⚠ WARNING

(Continued)

If you need to secure a forward-facing child restraint in the right front seat, always move the front passenger seat as far back as it will go. It is better to secure the child restraint in a rear seat.

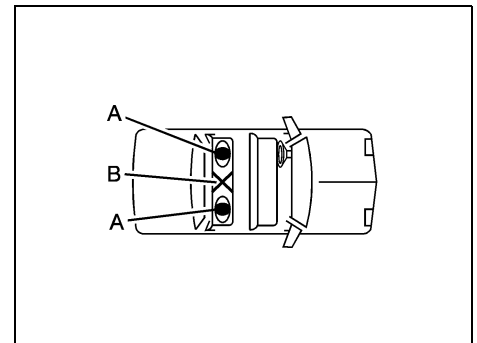
There is limited space in the third row rear seating area. If you want to secure a child restraint in a rear seating position in the third row, be sure to study the instructions that came with your child restraint to see if there is enough room to secure your seat properly. If the length of the seat cushion is too short for your child restraint and you cannot install it in accordance with the child restraint manufacturer's instructions, secure it in the second row.

If you need to secure more than one child restraint in the rear seat, review the following illustrations.

NOTE:

Depending on where you place the child restraint or the size of the child restraint, you may not be able to access certain safety belt assemblies for additional passengers or LATCH anchors for child restraints. For more information about where to place the child restraint, refer to "Lower Anchor and Top Tether Anchor Locations" in this section.

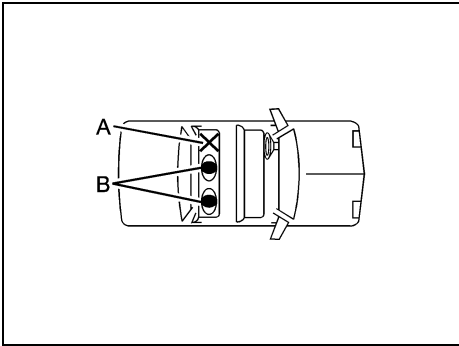
Configurations for Use of Two Child Restraints



1507695

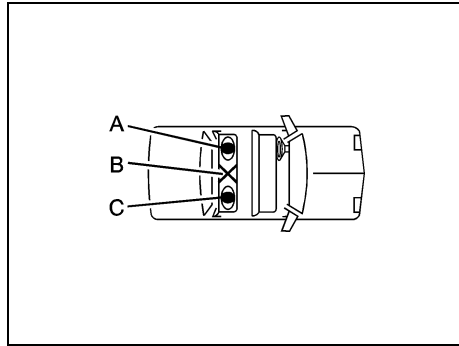
- A. Child restraint using LATCH
- B. Occupant prohibited

SEATS AND RESTRAINT SYSTEMS



1507697

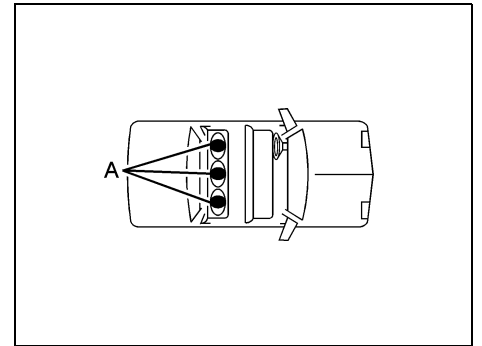
- A. Occupant prohibited
- B. Child restraint using LATCH



1507698

- A. Child restraint using LATCH
- B. No occupant recommended
- C. Child restraint or occupant using safety belt

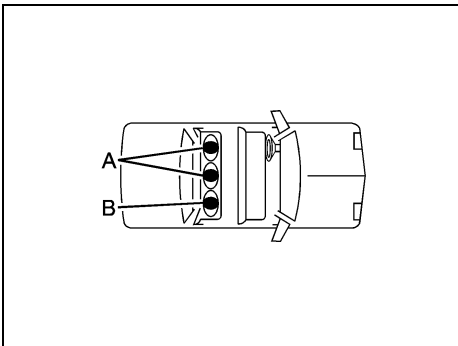
Configurations for Use of Three Child Restraints



1507710

- A. Child restraint or occupant using safety belt

SEATS AND RESTRAINT SYSTEMS



1507704

- A. Child restraint or occupant using safety belt
- B. Child restraint using LATCH

Wherever you install a child restraint, be sure to secure the child restraint properly.

Keep in mind that an unsecured child restraint can move around in a collision or sudden stop and injure people in the vehicle. Be sure to properly secure any child restraint in your vehicle – even when no child is in it.

Lower Anchors and Tethers for Children (LATCH)

The LATCH system holds a child restraint during driving or in a crash. This system is designed to make installation of a child restraint easier. The LATCH system uses anchors in the vehicle and attachments on

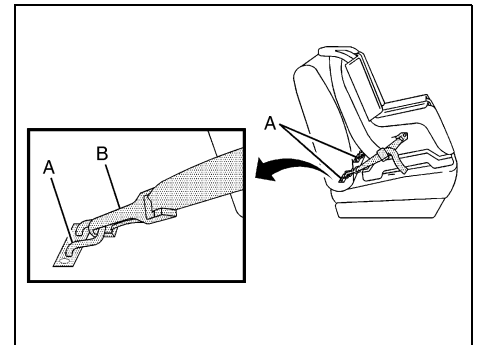
the child restraint that are made for use with the LATCH system.

Make sure that a LATCH-compatible child restraint is properly installed using the anchors, or use the vehicle's safety belts to secure the restraint, following the instructions that came with that restraint, and also the instructions in this manual. When installing a child restraint with a top tether, you must also use either the lower anchors or the safety belts to properly secure the child restraint. A child restraint must never be installed using only the top tether and anchor.

In order to use the LATCH system in your vehicle, you need a child restraint that has LATCH attachments. The child restraint manufacturer will provide you with instructions on how to use the child restraint and its attachments. The following explains how to attach a child restraint with these attachments in your vehicle.

Not all vehicle seating positions or child restraints have lower anchors and attachments or top tether anchors and attachments.

Lower Anchors

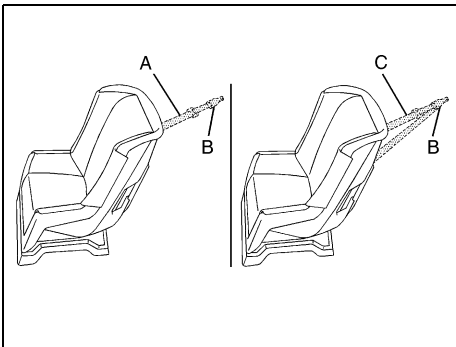


1550469

Lower anchors (A) are metal bars built into the vehicle. There are two lower anchors for each LATCH seating position that will accommodate a child restraint with lower attachments (B).

SEATS AND RESTRAINT SYSTEMS

Top Tether Anchor



1550581

A top tether (A, C) anchors the top of the child restraint to the vehicle. A top tether anchor is built into the vehicle. The top tether attachment (B) on the child restraint connects to the top tether anchor in the vehicle in order to reduce the forward movement and rotation of the child restraint during driving or in a crash.

Your child restraint may have a single tether (A) or a dual tether (C). Either will have a single attachment (B) to secure the top tether to the anchor.

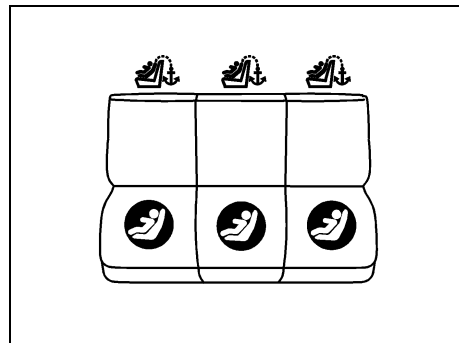
Some child restraints that have a top tether are designed for use with or without the top tether being attached. Others require the top tether always to be attached. In Canada, the law requires that forward-facing child restraints have a top tether, and that the tether be attached. In the United

States, some child restraints also have a top tether. Be sure to read and follow the instructions for your child restraint.


If the child restraint does not have a top tether, one can be obtained, in kit form, for many child restraints. Ask the child restraint manufacturer whether or not a kit is available.


Lower Anchor and -Top Tether Anchor Locations

Second Row Seat



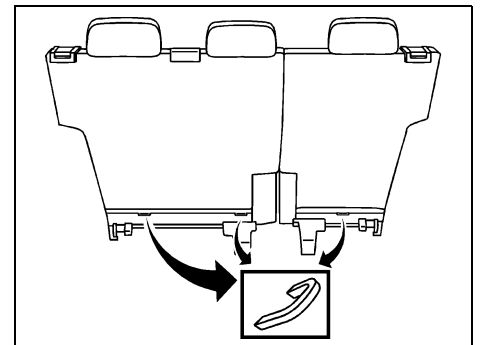
1552146

 (Top Tether Anchor): Seating positions with top tether anchors.

 (Lower Anchor): Seating positions with two lower anchors.

Each second row seating position has exposed metal anchors located in the

crease between the seatback and the seat cushion.



1708261

The top tether anchors for each second row seating position are located on the base of the seatback. Be sure to use an anchor located on the same side of the vehicle as the seating position where the child restraint will be placed.

Do not secure a child restraint in the right front passenger's position or the third row, if a national or local law requires that the top tether be attached, or if the instructions that come with the child restraint say that the top tether must be attached. There is no place to attach the top tether in this position.

Accident statistics show that children are safer if they are restrained in the rear rather than the front seat. Refer to "Where

SEATS AND RESTRAINT SYSTEMS

to Put the Restraint” in this section for additional information.

Securing a Child Restraint Designed for the LATCH System

⚠ WARNING

If a LATCH-type child restraint is not attached to anchors, the restraint will not be able to protect the child correctly. In a crash, the child could be seriously injured or killed. Make sure that a LATCH-type child restraint is properly installed using the anchors, or use the vehicle's safety belts to secure the restraint, following the instructions that came with that restraint, and also the instructions in this manual.

⚠ WARNING

Each top tether anchor and lower anchor in the vehicle is designed to hold only one child restraint. Attaching more than one child restraint to a single anchor could cause the anchor or attachment to come loose or even break during a crash. A child or others could be injured if this happens. To help prevent injury to people and damage to your vehicle, attach only one child restraint per anchor.

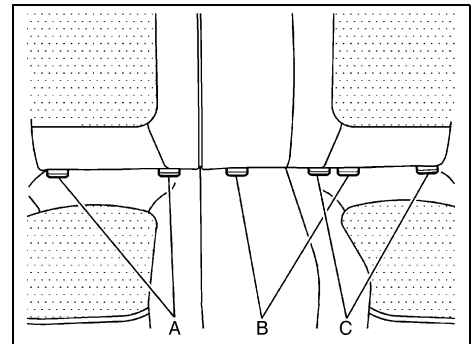
⚠ WARNING

Children can be seriously injured or strangled if a shoulder belt is wrapped around their neck and the safety belt continues to tighten. Secure any unused safety belts behind the child restraint so children cannot reach them. Pull the shoulder belt all the way out of the retractor to set the lock, if your vehicle has one, after the child restraint has been installed. Be sure to follow the instructions of the child restraint manufacturer.

CAUTION

Contact between the child restraint or the LATCH attachment parts and the vehicle's safety belt assembly may cause damage to these parts. Make sure when securing unused safety belts behind the child restraint that there is no contact between the child restraint or the LATCH attachment parts and the vehicle's safety belt assembly.

Folding an empty rear seat with the safety belts secured may cause damage to the safety belt or the seat. When removing the child restraint, always remember to return the safety belts to their normal, stowed position before folding the rear seat.



1252139

- A. Passenger's side rear seat lower anchors
- B. Center rear seat lower anchors
- C. Driver's side rear seat lower anchors

Make sure to attach the child restraint at the proper anchor location.

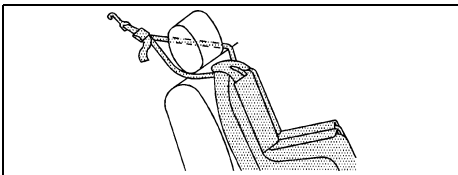
This system is designed to make installation of child restraints easier. When using lower anchors, do not use the vehicle's safety belts. Instead use the vehicle's anchors and child restraint attachments to secure the restraints. Some restraints also use another vehicle anchor to secure a top tether.

- 1) Attach and tighten the lower attachments to the lower anchors. If the child restraint does not have lower attachments or the desired seating position does not have lower anchors, secure

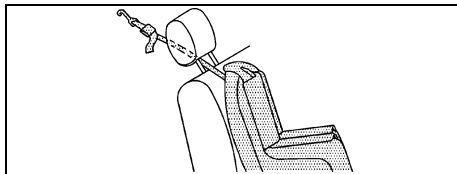
SEATS AND RESTRAINT SYSTEMS

the child restraint with the top tether and the safety belts. Refer to your child restraint manufacturer instructions and the instructions in this manual.

1. Find the lower anchors for the desired seating position.
 2. Put the child restraint on the seat.
 3. Attach and tighten the lower attachments on the child restraint to the lower anchors.
- 2) If the child restraint manufacturer recommends that the top tether be attached, attach and tighten the top tether to the top tether anchor, if your vehicle has one. Refer to the child restraint instructions and the following steps:
1. Find the top tether anchor.
 2. Route, attach and tighten the top tether according to your child restraint instructions and the following instructions:



If the position you are using has an adjustable head restraint and you are using a dual tether, route the tether around the head restraint.



If the position you are using has an adjustable head restraint and you are using a single tether, raise the head restraint and route the tether under the head restraint and in between the head restraint posts.

- 3) Push and pull the child restraint in different directions to be sure it is secure.

Securing a Child Restraint in a Rear Seat Position

There is limited space in the third row rear seating area. If you want to secure a child restraint in a rear seating position in the third row, be sure to study the instructions that came with your child restraint to see if there is enough room to secure your seat properly. If the length of the seat cushion is too short for your child restraint and you cannot install it in accordance with the child restraint manufacturers instructions, secure it in the second row.

If your child restraint has the LATCH system, refer to "Lower Anchors and Tethers for Children (LATCH)" in this section.

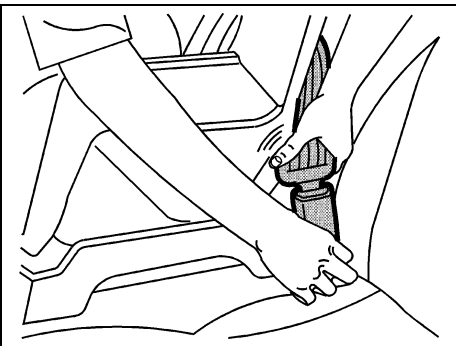
There are no top tether anchors in the third row seating positions. Do not secure a child restraint in the third row if a national or local law requires that a top tether be anchored or if the instructions that come with the restraint say that the top tether must be anchored.

If your child restraint does not have the LATCH system, you will be using the lap-shoulder belt to secure the child restraint in this position. Be sure to follow the instructions that came with the child restraint. Secure the child in the child restraint when and as the instructions say.

If you are using a rear-facing child restraint in the second row center position, install the armrest retention strap.

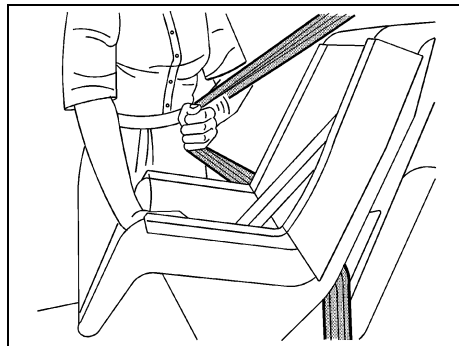
- 1) Put the child restraint on the seat.
- 2) Pick up the latch plate, and run the lap and shoulder portions of the vehicle's safety belt through or around the restraint. The child restraint instructions will show you how.

SEATS AND RESTRAINT SYSTEMS



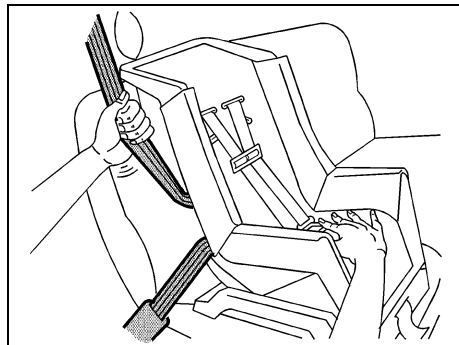
1379321

- 3) Buckle the belt. Make sure the release button is positioned so you would be able to unbuckle the safety belt quickly if you ever had to.



1379324

- 4) Pull the rest of the shoulder belt all the way out of the retractor to set the lock.



1379355

- 5) To tighten the belt, push down on the child restraint, pull the shoulder portion of the belt to tighten the lap portion of

the belt, and feed the shoulder belt back into the retractor. If you are using a forward-facing child restraint, you may find it helpful to use your knee to push down on the child restraint as you tighten the belt.

- 6) If your child restraint has a top tether, and the position that you are using has a top tether anchor, attach and tighten the top tether to the top tether anchor. Refer to the instructions that came with the child restraint and to "Lower Anchors and Tethers for Children (LATCH)" in this section.
- 7) Push and pull the child restraint in different directions to be sure it is secure. To remove the child restraint, just unbuckle the vehicle's safety belt and let it go back all the way. The safety belt will move freely again and be ready to work for an adult or larger child passenger.

SEATS AND RESTRAINT SYSTEMS

Securing a Child Restraint in the Right Front Seat Position

Your vehicle has a right front passenger's airbag. A rear seat is a safer place to secure a forward-facing child restraint. Refer to "Where to Put the Restraint" in this section.

In addition, your vehicle has a passenger sensing system. The passenger sensing system is designed to turn off the right front passenger's frontal airbag when an infant in a rear-facing infant seat or a small child in a forward-facing child restraint or booster seat is detected. Refer to "Passenger Sensing System" in this section and "Passenger Airbag Status Indicator" in "Warning Lights, Gages, and Indicators" in the "Instrument Panel" section for more information on this including important safety information.

A label on your sun visor says, "Never put a rear-facing child seat in the front." This is because the risk to the rear-facing child is so great, if the airbag deploys.

⚠ WARNING

A child in a rear-facing child restraint can be seriously injured or killed if the right front passenger's airbag inflates. This is because the back of the rear-facing child restraint would be very close to the inflating airbag. Even though the passenger sensing system is designed to turn off the right front passenger's frontal airbag if the system detects a rear-facing child restraint, no system is fail-safe, and no one can guarantee that an airbag will not deploy under some unusual circumstance, even though it is turned off. We recommend that rear-facing child restraints be secured in the rear seat, even if the airbag is off. If you need to secure a forward-facing child restraint in the right front seat, always move the front passenger seat as far back as it will go. It is better to secure the child restraint in a rear seat.

If your vehicle does not have a rear seat that will accommodate a rear-facing child restraint, never put a child in a rear-facing child restraint in the right front passenger seat unless the passenger airbag status indicator shows off and the airbag is off. Here is why:

⚠ WARNING

A child in a rear-facing child restraint can be seriously injured or killed if the right front passenger's airbag inflates. This is because the back of the rear-facing child restraint would be very close to the inflating airbag. Be sure the airbag is off before using a rear-facing child restraint in the right front seat position. Even though the passenger sensing system is designed to turn off the passenger's frontal airbag if the system detects a rear-facing child restraint, no system is fail-safe, and no one can guarantee that an airbag will not deploy under some unusual circumstance, even though it is turned off. We recommend that rear-facing child restraints be transported in vehicles with a rear seat that will accommodate a rear-facing child restraint, whenever possible. If you need to secure a forward-facing child restraint in the right front seat, always move the front passenger seat as far back as it will go. It is better to secure the child restraint in a rear seat.

If you need to secure a forward-facing child restraint in the right front seat position, move the seat as far back as it will go before securing the forward-facing child

SEATS AND RESTRAINT SYSTEMS

restraint. Refer to "Manual Seats" in this section.

If your child restraint has the LATCH system, refer to "Lower Anchors and Tethers for Children (LATCH)" in this section.

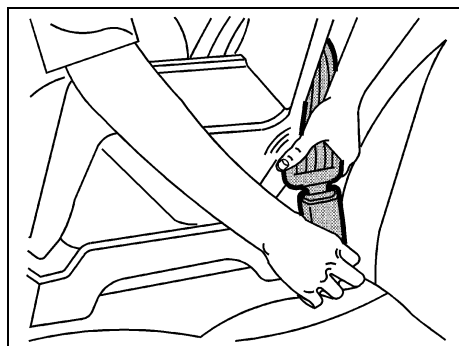
There is no top tether anchor at the right front seating position. Do not secure a child seat in this position if a national or local law requires that the top tether be anchored or if the instructions that come with the child restraint say that the top tether must be anchored. Refer to "Lower Anchors and Tethers for Children (LATCH)" in this section if the child restraint has a top tether.

You will be using the lap-shoulder belt to secure the child restraint in this position. Be sure to follow the instructions that came with the child restraint. Secure the child in the child restraint when and as the instructions say.

1) Your vehicle has a right front passenger's frontal airbag. Refer to "Passenger Sensing System" in this section. We recommend that rear-facing child restraints be secured in a rear seat, even if the airbag is off. If your child restraint is for ward-facing, move the seat as far back as it will go before securing the child restraint in this seat. Refer to "Manual Seats" in this section. When the passenger sensing system has turned off the right front passen-

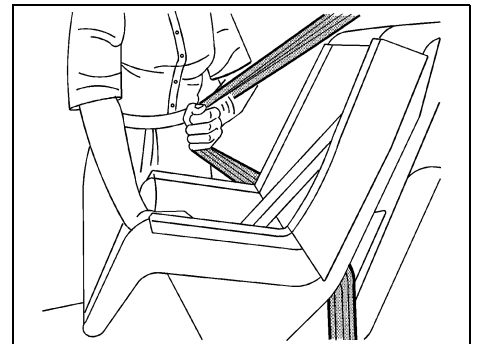
ger's frontal airbag, the off indicator in the passenger airbag status indicator should light and stay lit when you turn the ignition to RUN or START. Refer to "Passenger Airbag Status Indicator" in "Warning Lights, Gages, and Indicators" in the "Instrument Panel" section.

- 2) Put the child restraint on the seat.
- 3) Pick up the latch plate, and run the lap and shoulder portions of the vehicle's safety belt through or around the restraint. The child restraint instructions will show you how.



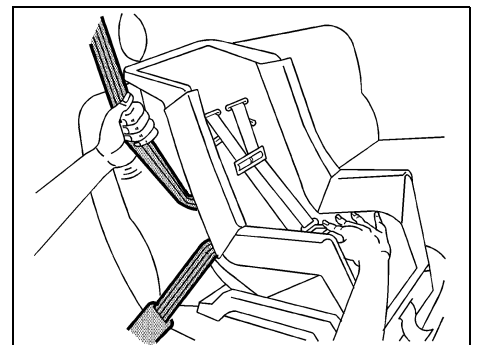
1379321

- 4) Buckle the belt. Make sure the release button is positioned so you would be able to unbuckle the safety belt quickly if you ever had to.



1379324

- 5) Pull the rest of the shoulder belt all the way out of the retractor to set the lock.



1379355

- 6) To tighten the belt, push down on the child restraint, pull the shoulder portion of the belt to tighten the lap portion of

SEATS AND RESTRAINT SYSTEMS

the belt, and feed the shoulder belt back into the retractor. If you are using a forward-facing child restraint, you may find it helpful to use your knee to push down on the child restraint as you tighten the belt. You should not be able to pull more of the belt from the retractor once the lock has been set.

- 7) Push and pull the child restraint in different directions to be sure it is secure.
- 8) If the airbag is off, the off indicator on the instrument panel will be lit and stay lit when the key is turned to RUN or START.

If a child restraint has been installed and the on indicator is lit, turn the vehicle off. Remove the child restraint from the vehicle and reinstall the child restraint.

If, after reinstalling the child restraint and restarting the vehicle, the on indicator is still lit, check to make sure that the vehicle's seatback is not pressing the child restraint into the seat cushion. If this happens, slightly recline the vehicle's seatback and adjust the seat cushion if possible. Also make sure the child restraint is not trapped under the vehicle head restraint. If this happens, adjust the head restraint.

If the on indicator is still lit, secure the child in the child restraint in a rear seat position in the vehicle if one is available and check with your dealer.

To remove the child restraint, if the top tether is attached to the top tether anchor, disconnect it. Unbuckle the vehicle's safety belt and let it go back all the way. The safety belt will move freely again and be ready to work for an adult or larger child passenger.

Airbag System

Your vehicle has a frontal airbag for the driver and a frontal airbag for the right front passenger. Your vehicle also has roof-mounted rollover airbags designed for either side impact or rollover deployment. Roof-mounted rollover airbags are available for the driver and the passenger seated directly behind the driver and for the right front passenger and the passenger seated directly behind that passenger.

For roof-mounted rollover airbags, the word AIRBAG will appear along the headliner or trim.

Also, if your vehicle has a third row passenger seat, your vehicle will have third row roof-mounted rollover airbags.

Airbags are designed to supplement the protection provided by safety belts. Even though today's airbags are also designed to help reduce the risk of injury from the force of an inflating bag, all airbags must inflate very quickly to do their job.

Here are the most important things to know about the airbag system:

SEATS AND RESTRAINT SYSTEMS

⚠ WARNING

You can be severely injured or killed in a crash if you are not wearing your safety belt – even if you have airbags. Wearing your safety belt during a crash helps reduce your chance of hitting things inside the vehicle or being ejected from it. Airbags are “supplemental restraints” to the safety belts. All airbags are designed to work with safety belts but do not replace them.

Frontal airbags for the driver and right front passenger are designed to deploy in moderate to severe frontal and near frontal crashes. They are not designed to inflate in rollover, rear crashes, or in many side crashes. And, for some unrestrained occupants, frontal airbags may provide less protection in frontal crashes than more forceful airbags have provided in the past.

(Continued)

⚠ WARNING

(Continued)

Roof-mounted rollover airbags are designed to inflate in moderate to severe crashes where something hits the side of your vehicle, during a vehicle rollover, or in a severe frontal impact. They are not designed to inflate in rear crashes. If your vehicle has roof-mounted airbags, they are designed to provide both side impact protection and rollover protection. Everyone in your vehicle should wear a safety belt properly – whether or not there is an airbag for that person.

⚠ WARNING

Both frontal and roof-mounted rollover airbags inflate with great force, faster than the blink of an eye. If you are too close to an inflating airbag, as you would be if you were leaning forward, it could seriously injure you. Safety belts help keep you in position for airbag inflation before and during a crash. Always wear your safety belt even with frontal airbags. The driver should sit as far back as possible while still maintaining control of the vehicle. Occupants should not lean on or sleep against the door in the first or second row seats, or the rear windows in the third row seat, if your vehicle has roof-mounted rollover airbags.

SEATS AND RESTRAINT SYSTEMS

WARNING

Anyone who is up against, or very close to, any airbag when it inflates can be seriously injured or killed. Airbags plus lap-shoulder belts offer the best protection for adults, but not for young children and infants. Neither the vehicle's safety belt system nor its airbag system is designed for them. Young children and infants need the protection that a child restraint system can provide. Always secure children properly in your vehicle. To read how, refer to "Older Children" or "Infants and Young Children" in this section. Occupants should not lean on or sleep against the door in the first or second row seats, or the rear windows in the third row seat, if your vehicle has roof-mounted rollover airbags.



808302

There is an airbag readiness light on the instrument panel cluster, which shows the airbag symbol.

The system checks the airbag electrical system for malfunctions. The light tells you if there is an electrical problem. Refer to "Airbag Readiness Light" in "Warning Lights, Gages, and Indicators" in the "Instrument Panel" section for more information.

Where Are the Airbags?



1177656

The driver's airbag is in the middle of the steering wheel.



809967

The right front passenger's airbag is in the instrument panel on the passenger's side.

SEATS AND RESTRAINT SYSTEMS



1177533

The roof-mounted rollover airbag for the driver and the person seated directly behind the driver is located in the ceiling above the side windows.



1197154

The roof-mounted rollover airbag for the right front passenger and the person directly behind that passenger is located in the ceiling above the side windows.



1700418

If your vehicle has a third row seat, the roof-mounted rollover airbag is located in the ceiling above the rear windows for the outside passenger positions.

SEATS AND RESTRAINT SYSTEMS

WARNING

If something is between an occupant and an airbag, the bag might not inflate properly or it might force the object into that person causing severe injury or even death. The path of an inflating airbag must be kept clear. Do not put anything between an occupant and an airbag, and do not attach or put anything on the steering wheel hub or on or near any other airbag covering. And, if your vehicle has roof-mounted rollover airbags, never secure anything to the roof of your vehicle by routing the rope or tie down through any door or window opening. If you do, the path of an inflating side impact airbag will be blocked. The path of an inflating airbag must be kept clear.

When Should an Airbag Inflate?

The driver's and right front passenger's frontal airbags are designed to inflate in moderate to severe frontal or near-frontal crashes. But they are designed to inflate only if the impact exceeds a predetermined deployment threshold. Deployment thresholds take into account a variety of desired deployment and non-deployment events and are used to predict how severe a crash is likely to be in time for the airbags to inflate and help restrain the occupants. Whether your frontal airbags will or should

deploy is not based on how fast your vehicle is traveling. It depends largely on what you hit, the direction of the impact and how quickly your vehicle slows down.

In addition, your vehicle has "dual-stage" frontal airbags, which adjust the restraint according to crash severity. Your vehicle has electronic frontal sensors which help the sensing system distinguish between a moderate frontal impact and a more severe frontal impact. For moderate frontal impacts, these airbags inflate at a level less than full deployment. For more severe frontal impacts, full deployment occurs. If the front of your vehicle goes straight into a wall that does not move or deform, the threshold level for the reduced deployment is about 11 to 16 mph (17 to 26 km/h), and the threshold level for a full deployment is about 20 to 25 mph (32 to 40 km/h). The threshold level can vary, however, with specific vehicle design, so that it can be somewhat above or below this range.

Frontal airbags may inflate at different crash speeds. For example:

- If the vehicle hits a stationary object, the airbags could inflate at a different crash speed than if the vehicle hits a moving object.
- If the vehicle hits an object that deforms, the airbags could inflate at a different crash speed than if the vehicle hits an object that does not deform.

- If the vehicle hits a narrow object (like a pole) the airbags could inflate at a different crash speed than if the vehicle hits a wide object (like a wall).
- If the vehicle goes into an object at an angle the airbags could inflate at a different crash speed than if the vehicle goes straight into the object.

The frontal airbags (driver and right front passenger) are not intended to inflate during vehicle rollovers, rear impacts, or in many side impacts.

Your vehicle has roof-mounted rollover airbags and a rollover sensor. Refer to "Airbag System" in this section. These "rollover capable" airbags are intended to inflate in moderate to severe side crashes, during a rollover or in a severe frontal impact. A roof-mounted rollover airbag will inflate if the crash severity is above the system's designed "threshold level." The threshold level can vary with specific vehicle design. Roof-mounted rollover airbags are not intended to inflate in rear impacts. Both roof-mounted rollover airbags will deploy when either side of the vehicle is struck or during a rollover, or in a severe frontal impact.

In any particular crash, no one can say whether an airbag should have inflated simply because of the damage to a vehicle or because of what the repair costs were. For frontal airbags, inflation is determined by what the vehicle hits, the angle of the

SEATS AND RESTRAINT SYSTEMS

impact, and how quickly the vehicle slows down. For roof-mounted rollover airbags, inflation is determined by the location and severity of the impact or a rollover event.

What Makes an Airbag Inflate?

In an impact of sufficient severity, the airbag sensing system detects that the vehicle is in a crash. In the case of a roof-mounted rollover airbag, the sensing system detects that the vehicle is about to roll over or has been in a severe frontal or side impact. The sensing system triggers a release of gas from the inflator, which inflates the airbag. The inflator, airbag, and related hardware are all part of the airbag modules inside the steering wheel and in the instrument panel in front of the right front passenger. For vehicles with roof-mounted rollover airbags, the airbag modules are located in the ceiling of the vehicle, near the side windows.

If your vehicle has a third row seat with roof-mounted rollover airbags, the airbag modules are located inside the rear-most pillar trim and above in the ceiling above the fixed rear glass.

How Does an Airbag Restrain?

In moderate to severe frontal or near frontal collisions, even belted occupants can contact the steering wheel or the instrument panel. In moderate to severe side collisions, even belted occupants can contact the inside of the vehicle. Airbags sup-

plement the protection provided by safety belts. Airbags distribute the force of the impact more evenly over the occupant's upper body, stopping the occupant more gradually. But the frontal airbags would not help you in many types of collisions, including rollovers, rear impacts, and many side impacts, primarily because an occupant's motion is not toward the airbag. Roof-mounted rollover airbags would not help you in many types of collisions, including many frontal or near frontal collisions, and rear impacts.

Airbags should never be regarded as anything more than a supplement to safety belts, and then only in moderate to severe frontal or near-frontal collisions for the driver's and right front passenger's frontal airbags, and only in moderate to severe side collisions or rollovers for vehicles with roof-mounted rollover airbags.

What Will You See After an Airbag Inflates?

After a frontal airbag inflates, it quickly deflates, so quickly that some people may not even realize an airbag inflated. Roof-mounted rollover airbags may still be at least partially inflated minutes after the vehicle comes to rest. Some components of the airbag module – the steering wheel hub for the driver's airbag, the instrument panel for the right front passenger's airbag, and the area along the ceiling of the vehicle near the side windows for vehicles with

roof-mounted side impact airbags – may be hot for a short time. The parts of the airbag that come into contact with you may be warm, but not too hot to touch. There may be some smoke and dust coming from the vents in the deflated airbags. Airbag inflation does not prevent the driver from seeing out of the windshield or being able to steer the vehicle, nor does it prevent people from leaving the vehicle.

WARNING

When an airbag inflates, there may be dust in the air. This dust could cause breathing problems for people with a history of asthma or other breathing trouble. To avoid this, everyone in the vehicle should get out as soon as it is safe to do so. If you have breathing problems but cannot get out of the vehicle after an airbag inflates, then get fresh air by opening a window or a door. If you experience breathing problems following an airbag deployment, you should seek medical attention.

Your vehicle has a feature that may automatically unlock the doors, turn the interior lamps on, and flash the hazard warning flashers when the airbags inflate. You can lock the doors again, turn the interior lamps off, and turn off the hazard warning flashers by using the controls for those features.

SEATS AND RESTRAINT SYSTEMS

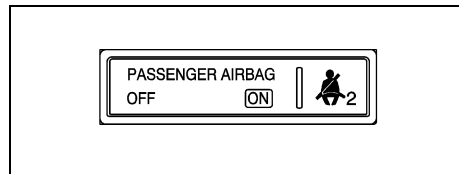
In many crashes severe enough to inflate the airbag, windshields are broken by vehicle deformation. Additional windshield breakage may also occur from the right front passenger airbag.

- Airbags are designed to inflate only once. After an airbag inflates, you will need some new parts for your airbag system. If you do not get them, the airbag system will not be there to help protect you in another crash. A new system will include airbag modules and possibly other parts. The service manual for your vehicle covers the need to replace other parts.
- Your vehicle has a crash sensing and diagnostic module which records information after a crash.
- Let only qualified technicians work on the airbag system. Improper service can mean that an airbag system will not work properly. See your dealer for service.

Passenger Sensing System

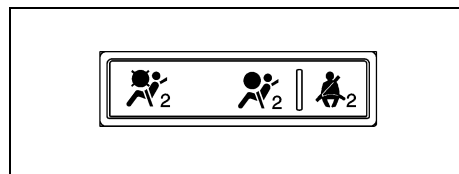
Your vehicle has a passenger sensing system for the right front passenger. The passenger airbag status indicator will be visible when you start your vehicle in the instrument panel.

United States



1476572

Canada



1476529

The words ON and OFF, or the symbol for on and off, will be visible during the system check. When the system check is complete, either the word ON or the word OFF, or the symbol for on or the symbol for off, will be visible. Refer to "Passenger Airbag Status Indicator" in "Warning Lights, Gages, and Indicators" in the "Instrument Panel" section.

The passenger sensing system will turn off the right front passenger's frontal airbag under certain conditions. The driver's airbags are not part of the passenger sensing system.

The passenger sensing system works with sensors that are part of the right front passenger's seat and safety belt. The sensors

are designed to detect the presence of a properly seated occupant and determine if the passenger's frontal airbag should be enabled (may inflate) or not.

Accident statistics show that children are safer if they are restrained in the rear rather than the front seat. We recommend that child restraints be secured in a rear seat, including an infant riding in a rear-facing infant seat, a child riding in a forward-facing child seat, and an older child riding in a booster seat.

There is a label on your sun visor that says, "Never put a rear-facing child seat in the front." This is because the risk to the rear-facing child is so great, if the airbag deploys.

SEATS AND RESTRAINT SYSTEMS

⚠ WARNING

A child in a rear-facing child restraint can be seriously injured or killed if the right front passenger's airbag inflates. This is because the back of the rear-facing child restraint would be very close to the inflating airbag. Even though the passenger sensing system is designed to turn off the passenger's frontal airbag if the system detects a rear-facing child restraint, no system is fail-safe, and no one can guarantee that an airbag will not deploy under some unusual circumstance, even though it is turned off. We recommend that rear-facing child restraints be secured in the rear seat, even if the airbag is off. If you need to secure a forward-facing child restraint in the right front seat, always move the front passenger seat as far back as it will go. It is better to secure the child restraint in a rear seat.

If your vehicle does not have a rear seat that will accommodate a rear-facing child restraint, never put a child in a rear-facing child restraint in the right front passenger seat unless the passenger airbag status indicator shows off and the airbag is off. Here is why:

⚠ WARNING

A child in a rear-facing child restraint can be seriously injured or killed if the right front passenger's airbag inflates. This is because the back of the rear-facing child restraint would be very close to the inflating airbag. Be sure the airbag is off before using a rear-facing child restraint in the right front seat position. Even though the passenger sensing system is designed to turn off the passenger's frontal airbag if the system detects a rear-facing child restraint, no system is fail-safe, and no one can guarantee that an airbag will not deploy under some unusual circumstance, even though it is turned off. We recommend that rear-facing child restraints be transported in vehicles with a rear seat that will accommodate a rear-facing child restraint, whenever possible. If you need to secure a forward-facing child restraint in the right front seat, always move the front passenger seat as far back as it will go. It is better to secure the child restraint in a rear seat.

The passenger sensing system is designed to turn off the right front passenger's frontal airbag if:

- The right front passenger seat is unoccupied.
- The system determines that an infant is present in a rear-facing infant seat.
- The system determines that a small child is present in a forward-facing child restraint.
- The system determines that a small child is present in a booster seat.
- A right front passenger takes his/her weight off of the seat for a period of time.
- The right front passenger seat is occupied by a smaller person, such as a child who has outgrown child restraints.
- Or, if there is a critical problem with the airbag system or the passenger sensing system.

When the right front passenger's frontal airbag has been turned off by the passenger sensing system, the off indicator will light and stay lit to remind you that the airbag is off.

If a child restraint has been installed and the on indicator is lit, turn the vehicle off. Remove the child restraint from the vehicle and reinstall the child restraint following the child restraint manufacturer's directions and refer to "Securing a Child Restraint in the Right Front Seat Position" in this section.

SEATS AND RESTRAINT SYSTEMS

If, after reinstalling the child restraint and restarting the vehicle, the on indicator is still lit, check to make sure that the vehicle's seatback is not pressing the child restraint into the seat cushion. If this happens, slightly recline the vehicle's seatback and adjust the seat cushion if possible. Also make sure the child restraint is not trapped under the vehicle head restraint. If this happens, adjust the head restraint.

If the on indicator is still lit, secure the child in the child restraint in a rear seat position in the vehicle if one is available and check with your dealer.

The passenger sensing system is designed to enable (may inflate) the right front passenger's frontal airbag anytime the system senses that a person of adult size is sitting properly in the right front passenger's seat. When the passenger sensing system has allowed the airbag to be enabled, the on indicator will light and stay lit to remind you that the airbag is active.

For some children who have outgrown child restraints and for very small adults, the passenger sensing system may or may not turn off the right front passenger's frontal airbag, depending upon the person's seating posture and body build. Everyone in your vehicle who has outgrown child restraints should wear a safety belt properly – whether or not there is an airbag for that person.

If a person of adult-size is sitting in the right front passenger's seat, but the off indicator is lit, it could be because that person is not sitting properly in the seat. If this happens, turn the vehicle off and ask the person to place the seatback in the fully upright position, then sit upright in the seat, centered on the seat cushion, with the person's legs comfortably extended. Restart the vehicle and have the person remain in this position for about two minutes. This will allow the system to detect that person and then enable the passenger's airbag.



849515

⚠ WARNING

If the airbag readiness light in the instrument panel cluster ever comes on and stays on, it means that something may be wrong with the airbag system. If this ever happens, have the vehicle serviced promptly, because an adult-size person sitting in the right front passenger's seat may not have the protection of the frontal airbag. Refer to "Airbag Readiness Light" in "Warning Lights, Gages, and Indicators" in the "Instrument Panel" section for more on this, including important safety information.

A thick layer of additional material, such as a blanket, or aftermarket equipment such as seat covers, seat heaters, and seat massagers, can affect how well the passenger sensing system operates. Remove any additional material from the seat cushion before reinstalling or securing the child restraint and before a small occupant, including a small adult, sits in the passenger position. You may want to consider not using seat covers or other aftermarket equipment. Refer to "Adding Equipment to Your Airbag-Equipped Vehicle" in this section for more information about modifications that can affect how the system operates.

⚠ WARNING

Stowing of articles under the passenger's seat or between the passenger's seat cushion and seatback may interfere with the proper operation of the passenger sensing system.

Servicing Your Airbag-Equipped Vehicle

Airbags affect how your vehicle should be serviced. There are parts of the airbag system in several places around your vehicle. You do not want the system to inflate while someone is working on your vehicle. Your dealer and the service manual have information about servicing your vehicle and the airbag system.

⚠ WARNING

For up to 10 seconds, after the ignition is turned off and the battery is disconnected, an airbag can still inflate during improper service. You can be injured if you are close to an airbag when it inflates. Avoid yellow connectors. They are probably part of the airbag system. Be sure to follow proper service procedures, and make sure the person performing work for you is qualified to do so.

The airbag system does not need regular maintenance.

Adding Equipment to Your Airbag-Equipped Vehicle

Question:

Is there anything I might add to the front or sides of the vehicle that could keep the airbags from working properly?

Answer:

Yes. If you add things that change your vehicle's frame, bumper system, height, front end or side sheet metal, they may keep the airbag system from working properly. Also, the airbag system may not work properly if you relocate any of the airbag sensors. If you have any questions about this, you should contact Customer Assistance before you modify your vehicle.

Question:

Because I have a disability, I have to get my vehicle modified. How can I find out whether this will affect my airbag system?

Answer:

Changing or moving any parts of the front seats, safety belts, the airbag sensing and diagnostic module, rollover sensor module, steering wheel, instrument panel, overhead console, ceiling headliner, ceiling and pillar garnish trim, roof-mounted rollover airbag modules, or airbag wiring can affect the operation of the airbag system. If you have questions, call Customer Assistance.

Restraint System Check

Checking the Restraint Systems

Now and then, make sure the safety belt reminder light and all your belts, buckles, latch plates, retractors and anchorages are working properly. Look for any other loose or damaged safety belt system parts. If you see anything that might keep a safety belt system from doing its job, have it repaired. Keep safety belts clean and dry. Refer to "Care of Safety Belts" in "Appearance Care" in the "Service and Appearance Care" section for more information.

Torn or frayed safety belts may not protect you in a crash. They can rip apart under impact forces. If a belt is torn or frayed, get a new one right away.

Also look for any opened or broken airbag covers, and have them repaired or replaced. The airbag system does not need regular maintenance.

SEATS AND RESTRAINT SYSTEMS

CAUTION

If you damage the covering for the driver's or the right front passenger's airbag, or the side impact airbag covering on the ceiling near the side windows, the airbag may not work properly. You may have to replace the airbag module in the steering wheel, both the airbag module and the instrument panel for the right front passenger's airbag, or side impact airbag module and ceiling covering for roof-mounted rollover airbags. Do not open or break the airbag coverings.

Replacing Restraint System Parts After a Crash

▲ WARNING

A crash can damage the restraint systems in your vehicle. A damaged restraint system may not properly protect the person using it, resulting in serious injury or even death in a crash. To help make sure your restraint systems are working properly after a crash, have them inspected and any necessary replacements made as soon as possible.

If you have had a crash, do you need new belts or LATCH system parts?

After a very minor collision, nothing may be necessary. But if the belts were stretched, as they would be if worn during a more severe crash, then you need new parts.

If the LATCH system was being used during a more severe crash, you may need new LATCH system parts.

If belts are cut or damaged, replace them. Collision damage also may mean you will need to have LATCH system, safety belt or seat parts repaired or replaced. New parts and repairs may be necessary even if the belt or LATCH system was not being used at the time of the collision.

If an airbag inflates, you will need to replace airbag system parts. See the part on the airbag system earlier in this section.

If the frontal airbags inflate you will also need to replace the driver and front passenger's safety belt retractor assembly. Be sure to do so. Then the new retractor assembly will be there to help protect you in a collision.

After a crash you may need to replace the driver and front passenger's safety belt retractor assemblies, even if the frontal airbags have not deployed. The driver and front passenger's safety belt retractor assemblies contain the safety belt pretensioners. Have your safety belt pretensioners checked if your vehicle has been in a

collision, or if your airbag readiness light stays on after you start your vehicle or while you are driving. Refer to "Airbag Readiness Light" in "Warning Lights, Gages, and Indicators" in the "Instrument Panel" section.

FEATURES AND CONTROLS

FEATURES AND CONTROLS

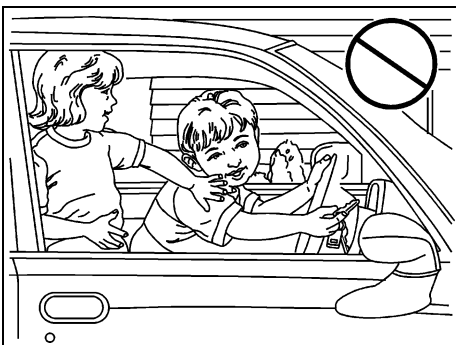
Keys	2-1
Doors and Locks	2-5
Windows	2-8
Theft-Deterrent Systems	2-9
Daily Inspection Checklist	2-11
Starting and Operating Your Vehicle	2-12
Mirrors	2-20
Storage Areas	2-21
Sunroof	2-24

FEATURES AND CONTROLS

Keys

⚠ WARNING

Leaving children in a vehicle with the ignition key is dangerous for many reasons, children or others could be badly injured or even killed. They could operate the power windows or other controls or even make the vehicle move. The windows will function with the keys in the ignition and they could be seriously injured or killed if caught in the path of a closing window. Do not leave the keys in a vehicle with children.



805686

One key is used for the ignition and all of the locks.

Key code information can be obtained by your dealer. These code numbers can be used to make new keys. Additional keys that are needed can be made at any retail service facility provided you have the key code information. Store this information in a safe place, but not in your vehicle.

Have extra keys made. Your service parts department can make extra keys for you.

NOTE:

If you ever lock your keys in your vehicle, you may have to damage the vehicle to get in. Be sure you have spare keys.

Remote Keyless Entry (RKE) System

The remote keyless entry system operates on a radio frequency subject to Federal Communications Commission (FCC) Rules and with Industry Canada.

This device complies with Part 15 of the FCC Rules. Operation is subject to the following two conditions:

- This device may not cause harmful interference.
- This device must accept any interference received, including interference that may cause undesired operation of the device.

This device complies with RSS-210 of Industry Canada. Operation is subject to the following two conditions:

- This device may not cause interference.
- This device must accept any interference received, including interference that may cause undesired operation of the device.

Changes or modifications to this system by other than an authorized service facility could void authorization to use this equipment.

At times you may notice a decrease in range. This is normal for any remote keyless entry system. If the transmitter does not work or if you have to stand closer to your vehicle for the transmitter to work, try this:

- Check the distance. You may be too far from your vehicle. You may need to stand closer during rainy or snowy weather.
- Check the location. Other vehicles or objects may be blocking the signal. Take a few steps to the left or right, hold the transmitter higher, and try again.
- Check to determine if battery replacement or resynchronization is necessary. Refer to "Battery Replacement" and "Resynchronization" under "Remote Keyless Entry (RKE) System Operation" in this section.
- If you are still having trouble, see your dealer or a qualified technician for service.

FEATURES AND CONTROLS

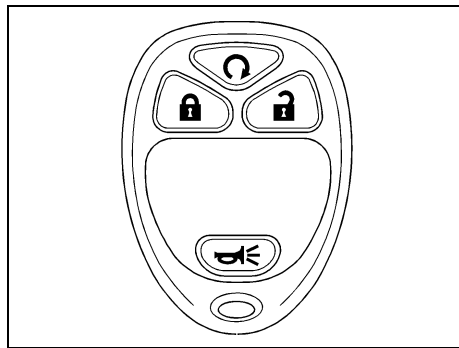
Remote Keyless Entry (RKE) System Operation

The vehicle's doors can be locked and unlocked from about 3 feet (1 m) up to 65 feet (20 m) away with the Remote Keyless Entry (RKE) transmitter.

If your vehicle has the remote start feature you can also start your vehicle with the RKE transmitter. Your RKE transmitter, with the remote start button, provides an increased range of 195 feet (60 m) away. However, the range may be less while the vehicle is running. As a result, you may need to be closer to your vehicle to turn it off than you were to turn it on.

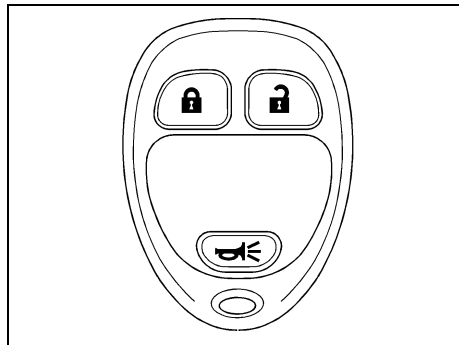
There are other conditions which can affect the performance of the transmitter. Refer to "Remote Keyless Entry (RKE) System" in this section.

Remote Keyless Entry with Remote Start



1686604

Remote Keyless Entry without Remote Start



1686606

The following functions may be available if your vehicle has the RKE system:

(Remote Vehicle Start):

If your vehicle has this feature, it may be started from outside the vehicle using the RKE transmitter. See "Remote Vehicle Start" following, for more detailed information.

(Lock):

Press the lock button to lock the doors and liftgate. If enabled through the Driver Information Center (DIC), the parking lamps will flash once to indicate locking has occurred. If enabled through the DIC, the horn will chirp when the lock button is pressed again within five seconds of the previous press of the lock button. Refer to "DIC Vehicle Personalization" in "Driver Information Center (DIC)" in the "Instrument Panel" section for additional information. Pressing the lock button may arm the content theft-deterrent system. Refer to "Content Theft-Deterrent" in this section.

(Unlock):

Press the unlock button to unlock the driver's door. If the button is pressed again within five seconds, all remaining doors, and the liftgate, will unlock. The interior lamps will come on and stay on for 20 seconds or until the ignition is turned on. If enabled through the DIC, the parking lamps will flash once to indicate unlocking has occurred. Refer to "DIC Vehicle Personalization" in "Driver Information Center (DIC)" in the "Instrument Panel" section. Pressing the unlock button on the RKE

FEATURES AND CONTROLS

transmitter will disarm the content theft-deterrent system. Refer to "Content Theft-Deterrent" in this section.

(Vehicle Locator/Panic Alarm):

Press and release this button to locate your vehicle. The turn signal lamps will flash and the horn will sound three times. Press and hold this button for more than two seconds to activate the panic alarm. The turn signal lamps will flash and the horn will sound repeatedly for 30 seconds. The alarm will turn off when the ignition is moved to RUN or the alarm button is pressed again. The ignition must be in LOCK for the panic alarm to work.

The RKE transmitter is used to arm/disarm the content theft-deterrent system. Your vehicle's theft-deterrent system can be programmed to three different modes. Refer to "Content Theft-Deterrent" in this section.

If you accidentally set off the alarm when entering or exiting the vehicle, you can shut it off by pressing the lock or unlock button once or the panic alarm button twice.

Matching Transmitter(s) to Your Vehicle

Each RKE transmitter is coded to prevent another transmitter from unlocking your vehicle. If a transmitter is lost or stolen, a replacement can be purchased through your dealer. Remember to bring any additional transmitters so they can also be re-

coded to match the new transmitter. Once your dealer has coded the new transmitter, the lost transmitter will not unlock your vehicle. The vehicle can have a maximum of four transmitters matched to it. Or, refer to "Relearn Remote Key" under "DIC Operation and Displays" in "Driver Information Center (DIC)" in the "Instrument Panel" section for instructions on how to match RKE transmitters to your vehicle.

Battery Replacement

Under normal use, the battery in your RKE transmitter should last about four years.

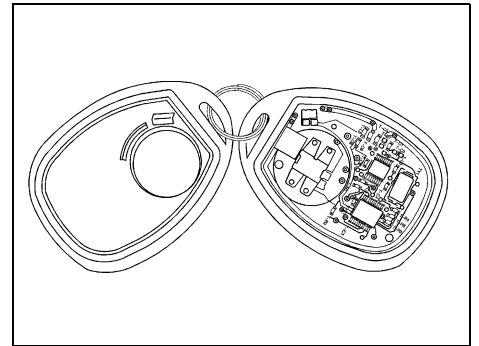
The battery is weak if the transmitter will not work at the normal range in any location. If you have to get close to your vehicle before the transmitter works, it is probably time to change the battery.

CAUTION

When replacing the battery, use care not to touch any of the circuitry. Static from your body transferred to these surfaces may damage the transmitter.

To replace the battery in the RKE transmitter, do the following:

- 1) Use a flat thin object to pry open the transmitter.



1562525

- 2) Once the transmitter is separated, use a pencil or similar object to remove the old battery. Do not use a metal object.
- 3) Slide the new battery into the transmitter with the positive side of the battery facing down. Use a type CR2032 battery, or equivalent type.
- 4) Snap the transmitter back together tightly to be sure no moisture can enter.
- 5) Check the operation of the transmitter.

FEATURES AND CONTROLS

Remote Vehicle Start

Your vehicle may have the remote start feature. This feature allows you to start the engine from outside the vehicle. Refer to "REMOTE START" under "DIC Vehicle Personalization" in "Driver Information Center (DIC)" in the "Instrument Panel" section for instructions on how to enable and disable this feature.

During a remote start, the climate control system will turn on at the fan, temperature, and mode settings the vehicle was set to when the vehicle was last turned off and will also turn on the rear window defogger.

Laws in some local communities may restrict the use of remote starters. For example, some laws may require a person using remote start to have the vehicle in view when doing so. Check local regulations for any requirements on remote starting of vehicles.

(Remote Vehicle Start):

Press and release the lock button and then press and hold the remote start button to start the vehicle.

Your RKE transmitter, with the remote start button, provides an increased range of operation. However, the range may be less while the vehicle is running. As a result, you may need to be closer to your vehicle to turn it off, than you were to turn it on.

If your vehicle is low on fuel, do not use the remote start feature. The vehicle may run out of fuel.

To start the engine using the remote start feature, do the following:

- 1) Aim the RKE transmitter, that has a remote vehicle start button, at the vehicle.
- 2) Press and release the transmitter's lock button, then immediately press and hold the remote vehicle start button until the vehicle's turn signal lamps flash, or for at least four seconds, if the vehicle's lights are not visible. The vehicle's doors will be locked. Pressing the remote start button again after the vehicle has started will turn off the ignition.
- 3) When the vehicle's engine starts, the parking lamps will turn on and remain on while the engine is running.
- 4) If it is your first remote start since last driving, repeat these steps while the engine is still running for a 10 minute time extension.

When you enter the vehicle during a remote start, and the engine is still running, turn the key to the RUN position to drive the vehicle

After a remote start, the engine will automatically shut off after 10 minutes unless a time extension has been done or the vehicle's key is inserted into the ignition switch and turned to RUN.

The maximum number of remote starts or remote start attempts between ignition cycles with the key is two.

If the remote start procedure is used again before the first 10 minute time frame has ended, the first 10 minutes will immediately expire and the second 10 minute time frame will start.

For example, if the lock button and then the remote start buttons are pressed again after the vehicle has been running for five minutes, 10 minutes are added, allowing the engine to run for 15 minutes.

After your vehicle's engine has been started two times using the remote vehicle start button, the vehicle's ignition switch must be turned to RUN and then back to LOCK using the key before the remote start procedure can be used again.

If you enter the vehicle after a remote start, and the engine is running, insert the key into the ignition switch and turn it to the RUN position to drive the vehicle.

To manually shut off the engine after a remote start, do any of the following:

- Aim the RKE transmitter at the vehicle and press the remote start button until the parking lamps turn off.
- Turn on the hazard warning flashers.
- Insert the vehicle's key into the ignition switch and turn the switch to RUN and then back to LOCK.

FEATURES AND CONTROLS

The remote vehicle start feature will not operate if:

- The vehicle's key is in the ignition.
- The vehicle's hood, liftgate or doors are not closed.
- The hazard warning flashers are on.
- There is an emission control system malfunction.
- The engine coolant temperature is too high.
- The oil pressure is low.
- Two remote vehicle starts have already been used. The maximum number of remote starts or remote start attempts between ignition cycles with the key is two.

Vehicles that have the remote vehicle start feature are shipped from the factory with the remote vehicle start system enabled. The system may be enabled or disabled through the DIC. Refer to "REMOTE START" under "DIC Vehicle Personalization" in "Driver Information Center (DIC)" in the "Instrument Panel" section for additional information.

Doors and Locks

Door Locks

WARNING

Unlocked doors can be dangerous.

- **Passengers, especially children, can easily open the doors and fall out of a moving vehicle. When a door is locked, the handle will not open it. You increase the chance of being thrown out of the vehicle in a crash if the doors are not locked. So, wear safety belts properly and lock the doors whenever you drive.**
- **Young children who get into unlocked vehicles may be unable to get out. A child can be overcome by extreme heat and can suffer permanent injuries or even death from heat stroke. Always lock your vehicle whenever you leave it.**
- **Outsiders can easily enter through an unlocked door when you slow down or stop your vehicle. Locking your doors can help prevent this from happening.**

There are a couple of ways to manually lock or unlock your vehicle.

From the outside, use the key in the driver's door.

From the inside, use the lock control on the door.

Power Door Locks

The power door lock switches are located on the driver's and front passenger's doors.

(Unlock):

To unlock the doors, press the unlock symbol.

(Lock):

Remove the ignition key and press the lock symbol to lock all of the doors.

FEATURES AND CONTROLS

Delayed Locking

A chime will sound three times to indicate a door or liftgate is open when you try to lock the doors with the remote keyless entry (RKE) transmitter or the power door lock switch. The doors will not lock, and the theft-deterrent system will not arm until all the doors are closed and ten seconds have passed.

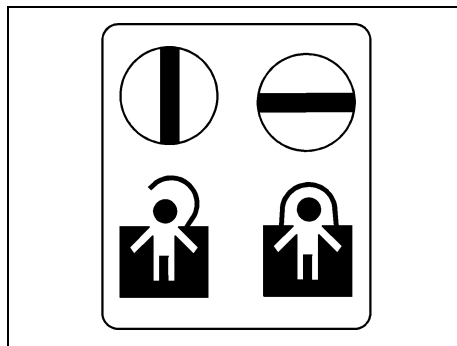
The delayed locking feature can be programmed through the Driver Information Center (DIC). Refer to "DIC Vehicle Personalization" in "Driver Information Center (DIC)" in the "Instrument Panel" section.

Programmable Automatic Door Locks

Your vehicle has an automatic lock/unlock feature which enables you to program the power door locks through the Driver Information Center (DIC). Refer to "DIC Vehicle Personalization" in "Driver Information Center (DIC)" in the "Instrument Panel" section for more information on DIC programming.

Rear Door Security Locks

Your vehicle has rear door security locks that prevent passengers from opening the rear doors from the inside.



831642

The rear door security locks are located on the inside edge of each rear door. You must open the rear doors to access them.

To set the security locks, do the following:

- 1) Insert the key into the lock above the rear door security lock label and turn it to the horizontal position.
- 2) Close the door.
- 3) Repeat the steps for the other rear door.

To open a rear door while the security lock is on, do the following:

- 1) Unlock the door using the remote keyless entry transmitter, the front door power lock switch, or by lifting the rear door manual lock.
- 2) Open the door from the outside.

To cancel the rear door security lock, do the following:

- 1) Unlock the door and open it from the outside.
- 2) Insert the key into the slot next to the rear door security lock label and turn it to the vertical position.
- 3) Repeat the steps for the other lock.

Lockout Protection

If you press the power door lock switch when the key is in the ignition and any door is open, all the doors will lock and only the driver's door will unlock. Be sure to remove the key from the ignition when locking your vehicle.

If the keyless entry transmitter is used to lock the doors and the key is in the ignition, a chime will sound three times. All passenger doors will lock, but the driver's door will remain unlocked.

FEATURES AND CONTROLS

Liftgate

▲ WARNING

It can be dangerous to drive with the liftgate or liftglass open because carbon monoxide (CO) gas can come into your vehicle. You cannot see or smell CO. It can cause unconsciousness and even death. If you must drive with the liftgate open or if electrical wiring or other cable connections must pass through the seal between the body and the liftgate or liftglass:

- Make sure all other windows are shut.
- Turn the fan on your climate control system to its highest speed and select the control setting that will force outside air into your vehicle. See "Climate Control System" in the Index.
- If you have air outlets on or under the instrument panel, open them all the way. Refer to "Engine Exhaust" in this section.

To unlock the liftgate, press the unlock button on the Remote Keyless Entry (RKE) transmitter twice or use the power door lock switch.

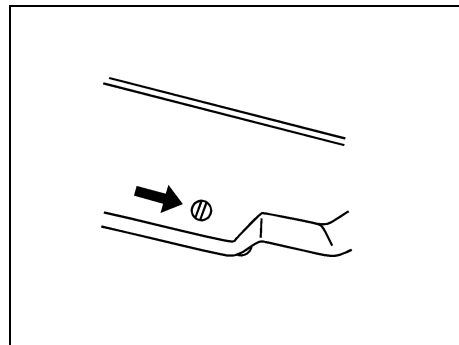
To lock the liftgate, press the lock button on the RKE transmitter or use the power door lock switch. The liftgate does not have a key lock cylinder.

To open the liftgate, pull up on the handle located in the center of the liftgate.

When closing the liftgate, use the molded handles to pull the liftgate down. Push the liftgate closed until it latches.

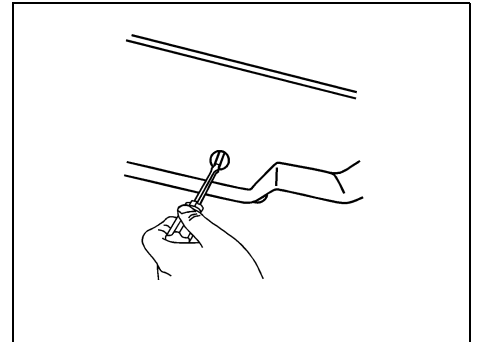
Liftgate Operation with Loss of Power

The liftgate is equipped with an electric latch. If the battery is disconnected or has low voltage, the liftgate will not open.



1799172

To open the liftgate if this happens, remove the interior trim plug located at the base of the liftgate from inside the vehicle.



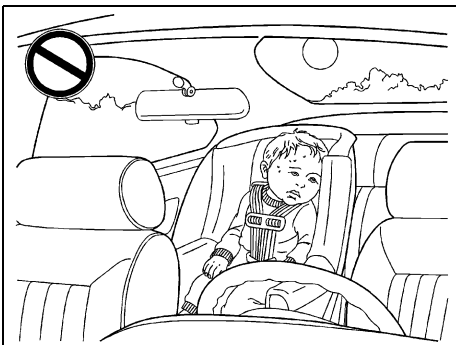
1799191

Use a tool to push the service release lever located on the latch until you hear or feel the gate release. The liftgate can now be opened and closed manually. You will need to use this procedure to open the liftgate until the power is restored.

Windows

⚠ WARNING

Leaving children, helpless adults, or pets in a vehicle with the windows closed is dangerous. They can be overcome by the extreme heat and suffer permanent injuries or even death from heat stroke. Never leave a child, a helpless adult, or a pet alone in a vehicle, especially with the windows closed in warm or hot weather.



811448

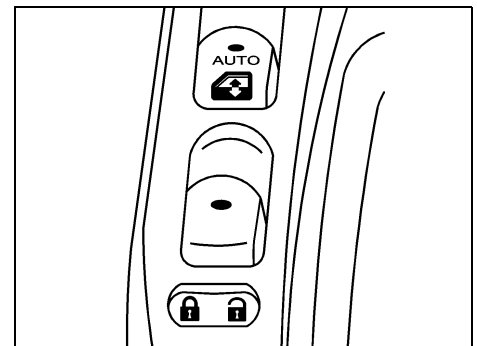
Power Windows

⚠ WARNING

Leaving children, helpless adults, or pets in a vehicle with the windows closed is dangerous. They can be overcome from extreme heat in warm or hot weather and suffer permanent injuries or even death from heat stroke.

Leaving children in a vehicle with the ignition key is dangerous for many reasons, children or others could be badly injured or even killed. They could operate the power windows or other controls or even make the vehicle move. The windows will function with the keys in the ignition and they could be seriously injured or killed if caught in the path of a closing window. Do not leave keys in a vehicle with children.

When there are children in the rear seat use the window lockout button to prevent unintentional operation of the windows.



1235612

The window switches are located on each side of the shift lever on the center console.

To lower a window, press the switch down. To raise a window, pull the switch up.

The power windows operate when the ignition is in RUN or ACC.

A window switch is also located on each rear door. Press the bottom of the switch to lower the window. Press the top of the switch to raise the window.

Express-Down Window

The driver's window switch has an express-down feature that is labeled AUTO. This allows the driver's window to open fully without having to continuously press the switch. Press the switch to the second position and the driver's window

FEATURES AND CONTROLS

will go all the way down. To stop the window from lowering, lift the switch all the way up and release it.

Window Lockout

The driver's window switches also include a lockout switch. Press the left side of the switch to prevent rear passengers from using their window switches. The driver can still control all the windows with the lockout on. Press the right side of the window lockout switch to return to normal window operation.

Sun Visors

To block out glare, swing the sun visor down. You can also detach the driver's sun visor from the center mount and slide it along the rod from side-to-side for greater coverage.

Visor Vanity Mirrors

Your vehicle has covered visor vanity mirrors on both the driver's and passenger's side.

Theft-Deterrent Systems

Vehicle theft is big business, especially in some cities. Although your vehicle has a number of theft-deterrent features, we know that nothing we put on it can make it impossible to steal.

Content Theft-Deterrent

To activate the theft-deterrent system:

- 1) Open the door.
- 2) Lock the door with the power door lock switch or the remote keyless entry transmitter. If you are using the remote keyless entry transmitter, the door does not need to be open.
- 3) Close all doors.

Once armed, the alarm will go off if someone tries to enter the vehicle without using the remote keyless entry transmitter or a key or turns the ignition on with an incorrect key. The horn will sound and the turn signal lamps will flash for approximately two minutes.

When the alarm is armed, the trunk may be opened with the remote keyless entry transmitter. The power door lock switches are disabled and the doors remain locked. You must use your remote keyless entry transmitter or your key to unlock the doors when the system is armed.

Arming with the Power Lock Switch

The alarm system will arm when you use either power lock switch to lock the doors while any door or the trunk is open and the key is removed from the ignition.

Arming with the Remote Keyless Entry Transmitter

The alarm system will arm when you use your remote keyless entry transmitter to lock the doors, if the key is not in the ignition.

Disarming with the Remote Keyless Entry Transmitter

The alarm system will disarm when you use your remote keyless entry transmitter to unlock the doors.

The first time a remote unlock command is received, three flashes will be seen and three horn chirps heard to indicate an alarm condition has occurred since last arming.

Disarming with Your Key

The alarm system will disarm when you use your key to unlock the doors or insert your key in ignition and turn it from the LOCK position.

FEATURES AND CONTROLS

PASS-Key® III+

The PASS-Key® III+ system operates on a radio frequency subject to Federal Communications Commission (FCC) Rules and with Industry Canada.

This device complies with Part 15 of the FCC Rules. Operation is subject to the following two conditions:

- 1) This device may not cause harmful interference.
- 2) This device must accept any interference received, including interference that may cause undesired operation.

This device complies with RSS-210 of Industry Canada. Operation is subject to the following two conditions:

- 1) This device may not cause interference.
- 2) This device must accept any interference received, including interference that may cause undesired operation of the device.

Changes or modifications to this system by other than an authorized service facility could void authorization to use this equipment.

PASS-Key® III+ uses a radio frequency transponder in the key that matches a decoder in your vehicle.

PASS-Key® III+ Operation

Your vehicle has PASS-Key® III+ (Personalized Automotive Security System) theft-deterrent system. PASS-Key® III+ is a passive theft-deterrent system. This means you do not have to do anything special to arm or disarm the system. It works when you transition the key to RUN, ACC or START from the LOCK position.

When the PASS-Key® III+ system senses that someone is using the wrong key, it prevents the vehicle from starting. Anyone using a trial-and-error method to start the vehicle will be discouraged because of the high number of electrical key codes.

If the engine does not start and the security light on the instrument panel comes on when trying to start the vehicle, the key may have a damaged transponder. Turn the ignition off and try again.

If the engine still does not start, and the key appears to be undamaged, try another ignition key. At this time, you may also want to check the fuse, refer to "Fuses and Circuit Breakers" in "Electrical System" in the "Service and Appearance Care" section. If the engine still does not start with the other key, your vehicle needs service. If your vehicle does start, the first key may be faulty. See your dealer who can service the PASS-Key® III+ to have a new key made. In an emergency, contact Roadside Assistance.

It is possible for the PASS-Key® III+ decoder to "learn" the transponder value of a new or replacement key. Up to nine additional keys may be programmed for the vehicle. The following procedure is for programming additional keys only. If all the currently programmed keys are lost or do not operate, you must see your dealer or a locksmith who can service PASS-Key® III+ to have keys made and programmed to the system.

See your dealer or a locksmith who can service PASS-Key® III+ to get a new key blank that is cut exactly as the ignition key that operates the system.

To program the new additional key do the following:

- 1) Verify that the new key has a ⊕ stamped on it.
- 2) Insert the original, already programmed, key in the ignition and start the engine. If the engine will not start, see your dealer for service.
- 3) After the engine has started, turn the key to LOCK, and remove the key.
- 4) Insert the new key to be programmed and turn it to the RUN position within five seconds of removing the original key.
- 5) The security light will turn off once the key has been programmed.
- 6) Repeat Steps 1 through 5 if additional keys are to be programmed.

FEATURES AND CONTROLS

If you are driving and the security light comes on and stays on, you may be able to restart your engine. Your PASS-Key® III+ system, however, may not be working properly and must be serviced by your dealer.

If you lose or damage your PASS-Key® III+ key, see your dealer or a locksmith who can service PASS-Key® III+ to have a new key made.

Daily Inspection Checklist

Before Driving

- 1) Make sure that windows, mirrors, lights and reflectors are clean and unobstructed.
 - 2) Visually check the tires for the following points:
 - the depth of the tread groove
 - abnormal wear, cracks and damage
 - loose wheel nuts
 - existence of foreign material such as nails, stones, etc.
- Refer to “Tires” in the “SERVICE AND APPEARANCE CARE” section for details.
- 3) Look for oil or other fluid leaks.

NOTE:

It is normal for water to drip from the air conditioning system after use.

- 4) Make sure the hood is fully closed and latched.
- 5) Check the headlights, turn signal lights, brake lights and horn for proper operation.
- 6) Lock all doors.
- 7) Adjust the seat and adjustable head restraints (if equipped).
- 8) Check the brake pedal.
- 9) Adjust the mirrors.
- 10) Make sure that you and all passengers have properly fastened your safety belts.

- 11) Make sure that all warning lights come on as the key is turned to the “ON” or “START” position.
- 12) Check all gauges.
- 13) Make sure that the BRAKE light turns off when the parking brake is released.

Once a week, or each time you fill your fuel tank, perform the following under-hood checks:

- 1) Engine oil level
 - 2) Coolant level
 - 3) Brake fluid level
 - 4) Power steering (if equipped) fluid level
 - 5) Windshield washer fluid level
 - 6) Hood latch operation
- Pull the hood release handle inside the vehicle. Make sure that you cannot open the hood all the way without releasing the secondary latch. Be sure to close the hood securely after checking for proper latch operation. Refer to “Lubricate body components” under “Scheduled Maintenance” in the “Maintenance Schedule” section for the lubrication schedule.

WARNING

Make sure the hood is fully closed and latched before driving. If it is not, it can fly up unexpectedly during driving, obstructing your view and resulting in an accident.

Starting and Operating Your Vehicle

New Vehicle Break-In

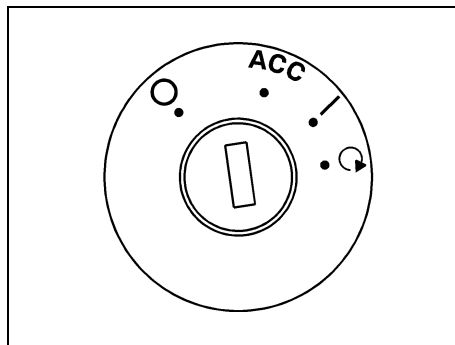
CAUTION

Your vehicle does not need an elaborate break-in. But it will perform better in the long run if you follow these guidelines:

- Do not drive at any one constant speed, fast or slow, for the first 500 miles (805 km). Do not make full-throttle starts. Avoid downshifting to brake, or slow, the vehicle.
- Avoid making hard stops for the first 200 miles (322 km) or so. During this time your new brake linings are not yet broken in. Hard stops with new linings can mean premature wear and earlier replacement. Follow this breaking-in guideline every time you get new brake linings.
- Do not tow a trailer during break-in. Refer to "Towing a Trailer" in "Towing" in the "Driving Your Vehicle" section for the trailer towing capabilities of your vehicle and more information.

Following break-in, engine speed and load can be gradually increased.

Ignition Positions



1410037

With the key in the ignition switch, you can turn it to four different positions. A warning tone will sound if you open the driver's door when the key has not been removed from the ignition.

CAUTION

Using a tool to force the key from the ignition switch could cause damage or break the key. Use the correct key and turn the key only with your hand. Make sure the key is in all the way. If none of this works, then your vehicle needs service.

○ (LOCK):

You will only be able to remove your key when the ignition is turned to LOCK. The ignition switch cannot be turned to LOCK unless the shift lever is in PARK (P).

ACC (Accessory):

This position operates some of your electrical accessories.

| (RUN):

This is the position the switch returns to after you start your engine and release the switch. The switch stays in the RUN position when the engine is running. But even when the engine is not running, you can use RUN to operate your electrical accessories and to display some warning and indicator lights.

The battery could be drained if you leave the key in the ACC or RUN position with the engine off. You may not be able to start your vehicle if the battery is allowed to drain for an extended period of time.

⤵ (START):

This position starts the engine. When the engine starts, release the key. The ignition switch will return to RUN for normal driving.

Key In the Ignition

Never leave your vehicle with the keys inside, as it is an easy target for joy riders or thieves. If you leave the key in the igni-

FEATURES AND CONTROLS

tion and park your vehicle, a chime will sound, when you open the driver's door. Always remember to remove your key from the ignition and take it with you. This will lock your ignition and transaxle. Also, always remember to lock the doors.

The battery could be drained if you leave the key in the ignition while your vehicle is parked. You may not be able to start your vehicle after it has been parked for an extended period of time.

Retained Accessory Power (RAP)

The vehicle has Retained Accessory Power (RAP), which will allow your vehicle's radio and windows to work when the ignition key is in RUN or ACC. Once the key is turned from RUN to LOCK the radio will continue to work 10 minutes or until the driver's door is opened. Also, the power windows will continue to work for up to 10 minutes or until any door is opened.

Starting the Engine

Place the transaxle in the proper gear.

Move your shift lever to PARK (P) or NEUTRAL (N). Your engine will not start in any other position -- this is a safety feature. To restart when you are already moving, use NEUTRAL (N) only.

CAUTION

Shifting into PARK (P) with the vehicle moving could damage the transaxle. Shift into PARK (P) only when your vehicle is stopped.

Starting Procedure

1) With your foot off the accelerator pedal, turn the ignition key to START. When the engine starts, let go of the key. The idle speed will go down as your engine gets warm. Do not race the engine immediately after starting it. Operate the engine and transaxle gently to allow the oil to warm up and lubricate all moving parts.

Your vehicle has a Computer-Controlled Cranking System. This feature assists in starting the engine and protects components. If the ignition key is turned to the START position, and then released when the engine begins cranking, the engine will continue cranking for a few seconds or until the vehicle starts. If the engine does not start and the key is held in START for many seconds, cranking will be stopped

after 15 seconds to prevent cranking motor damage. To prevent gear damage, this system also prevents cranking if the engine is already running. Engine cranking can be stopped by turning the ignition switch to the ACC or LOCK position.

CAUTION

Cranking the engine for long periods of time, by returning the key to the START position immediately after cranking has ended, can overheat and damage the cranking motor, and drain the battery. Wait at least 15 seconds between each try, to allow the cranking motor to cool down.

2) If the engine does not start after 5-10 seconds, especially in very cold weather (below 0°F -18°C), it could be flooded with too much gasoline. Try pushing the accelerator pedal all the way to the floor and holding it there as you hold the key in START for up to a maximum of 15 seconds. Wait at least 15 seconds between each try, to allow the cranking motor to cool down. When the engine starts, let go of the key and accelerator. If the vehicle starts briefly but then stops again, do the same thing. This clears the extra gasoline from the engine. Do not race the engine immediately after starting it. Operate the engine and transaxle gently until

FEATURES AND CONTROLS

the oil warms up and lubricates all moving parts.

CAUTION

Your engine is designed to work with the electronics in your vehicle. If you add electrical parts or accessories, you could change the way the engine operates. Before adding electrical equipment, check with your dealer. If you do not, your engine might not perform properly. Any resulting damage would not be covered by your vehicle's warranty.

Engine Coolant Heater

If your vehicle has this feature, in very cold weather 0°F (-18°C) or colder, the engine coolant heater can help. You will get easier starting and better fuel economy during engine warm-up. Usually, the coolant heater should be plugged in a minimum of four hours prior to starting your vehicle. At temperatures above 32°F (0°C), use of the coolant heater is not required. Your vehicle may also have an internal thermostat in the plug end of the cord. This will prevent operation of the engine coolant heater when the temperature is at or above 0°F (-18°C) as noted on the cord.

To Use the Engine Coolant Heater

- 1) Turn off the engine.
- 2) Open the hood and unwrap the electrical cord. The cord is located on the

passenger's side of the engine compartment, near the radiator.

- 3) Plug it into a normal, grounded 110-volt AC outlet.

⚠ WARNING

Plugging the cord into an ungrounded outlet could cause an electrical shock. Also, the wrong kind of extension cord could overheat and cause a fire. You could be seriously injured. Plug the cord into a properly grounded three-prong 110-volt AC outlet. If the cord will not reach, use a heavy-duty three-prong extension cord rated for at least 15 amps.

- 4) Before starting the engine, be sure to unplug and store the cord as it was before to keep it away from moving engine parts. If you do not, it could be damaged.

How long should you keep the coolant heater plugged in? The answer depends on the outside temperature, the kind of oil you have, and some other things. Instead of trying to list everything here, we ask that you contact your dealer in the area where you will be parking your vehicle. The dealer can give you the best advice for that particular area.

Automatic Transaxle Operation

The shift lever for the automatic transaxle is located on the console between the seats.

Maximum engine speed is limited when the vehicle is in PARK (P) or NEUTRAL (N) to protect driveline components from improper operation.



1722684

There are several different positions for the shift lever. When using the manual shift mode a number will also appear on the tell-tale line below the gear selections. For more information on the manual shift option see "Manual Shift Mode" in this section.

PARK (P):

This position locks the front wheels. It is the best position to use when the engine is

FEATURES AND CONTROLS

started because the vehicle cannot move easily.

⚠ WARNING

It is dangerous to get out of your vehicle if the shift lever is not fully in PARK (P) with the parking brake firmly set. Your vehicle can roll. Do not leave your vehicle when the engine is running unless you have to. If you have left the engine running, the vehicle can move suddenly. You or others could be injured. To be sure your vehicle will not move, even when you are on fairly level ground, always set your parking brake and move the shift lever to PARK (P). Refer to "Shifting Into Park (P)" in this section. If you are pulling a trailer, refer to "Towing a Trailer" in "Towing" in the "Driving Your Vehicle" section.

Make sure the shift lever is fully in PARK (P) before starting the engine. The vehicle has an automatic transaxle shift lock control system. You must fully apply your regular brakes first and then press the shift lever button, before you can shift from PARK (P) when the ignition is in RUN. If you cannot shift out of PARK (P), ease pressure on the shift lever and push the shift lever all way into PARK (P) as you maintain brake application. Then press the shift lever button and move the shift lever

into another gear. Refer to "Shifting Out of Park (P)" in this section.

REVERSE (R):

Use this gear to back up.

CAUTION

Shifting to REVERSE (R) while your vehicle is moving forward could damage the transaxle. The repairs would not be covered by your warranty. Shift to REVERSE (R) only after your vehicle is stopped.

To rock the vehicle back and forth to get out of snow, ice, or sand without damaging the transaxle, refer to "If Your Vehicle is Stuck in Sand, Mud, Ice, or Snow" in "Your Driving, the Road, and Your Vehicle" in the "Driving Your Vehicle" section.

NEUTRAL (N):

In this position, the engine does not connect with the wheels. To restart when the vehicle is already moving, use NEUTRAL (N) only. Also, use NEUTRAL (N) when the vehicle is being towed.

⚠ WARNING

Shifting into a drive gear while your engine is running at high speed is dangerous. Unless your foot is firmly on the brake pedal, your vehicle could move very rapidly. You could lose control and hit people or objects. Do not shift into a drive gear while your engine is running at high speed.

CAUTION

Shifting out of PARK (P) or NEUTRAL (N) while the engine is running at high speed may damage the transaxle. The repairs would not be covered by your warranty. Be sure the engine is not running at high speeds when shifting your vehicle.

DRIVE (D):

This position is for normal driving. It provides the best fuel economy for your vehicle. If the vehicle needs more power for passing, and it is:

- Going less than 35 mph (55 km/h), push the accelerator pedal about halfway down.
- Going about 35 mph (55 km/h) or more, push the accelerator pedal all the way down. The vehicle will shift down to the next gear and have more power.

FEATURES AND CONTROLS

Downshifting the transaxle in slippery road conditions could result in skidding, refer to “Loss of Control” in “Your Driving, the Road, and Your Vehicle” in the “Driving Your Vehicle” section.

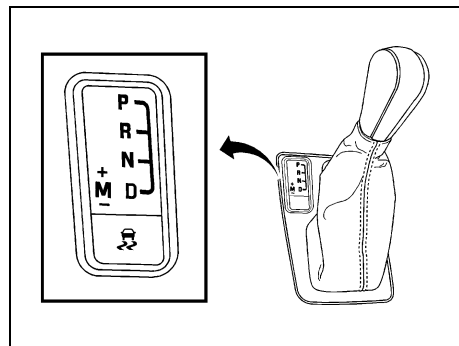
CAUTION

Spinning the tires or holding the vehicle in one place on a hill using only the accelerator pedal may damage the transaxle. If you are stuck, do not spin the tires. When stopping on a hill, use the brakes to hold the vehicle in place.

MANUAL SHIFT MODE (M):

This position, available on the models with the Manual Shift Mode (MSM), allows you to change gears similar to a manual transaxle. If your vehicle has this feature, see “Manual Shift Mode (MSM)”.

Manual Shift Mode (MSM) (Automatic Transaxle)



To use this feature, do the following:

- 1) Move the shift lever from DRIVE (D) to the left into the MANUAL SHIFT MODE (M).
While driving in manual mode, the transaxle will remain in the driver selected gear.
When coming to a stop in the manual position, the vehicle will automatically shift into FIRST (1) gear.
 - A shift is required to protect the engine or transmission or
 - The vehicle slows almost to a stop, and then automatic downshift will occur.
- 2) Press the shift lever forward to upshift or rearward to downshift.

A box with the current gear will display in the middle of the telltale line below the gear selection.

While using the Manual Shift Mode (MSM) feature the vehicle will have firmer shifting and increased performance. You can use this for sport driving or when climbing hills to stay in gear longer or to downshift for more power or engine braking.

The transaxle will only allow you to shift into gears appropriate for the vehicle speed and engine revolutions per minute (RPM):

- The transaxle will not downshift to the next lower gear if the engine RPM is too high.
- The transaxle will not automatically shift to the next higher gear if the engine RPM is too high.
- When coming to a stop in the manual mode, the vehicle will automatically downshift to the proper gear based on speed. Upon acceleration you will need to manually upshift to the desired gear.

FEATURES AND CONTROLS

SECOND (2) Gear Start Feature

CAUTION

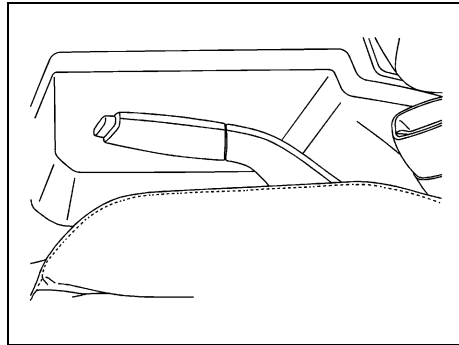
If you attempt a third gear start while trailering or towing a heavy load, you will notice reduced engine power. This could overheat and damage your transaxle. Do not attempt a third gear start while trailering or towing your vehicle.

When accelerating your vehicle from a stop in snowy and icy conditions, you may want to shift into SECOND (2). A higher gear, and light application of the gas pedal, may allow you to gain more traction on slippery surfaces.

With the MANUAL SHIFT MODE, the vehicle can accelerate from a stop in SECOND (2).

- 1) Move the shift lever from DRIVE (D) into the MANUAL SHIFT MODE (M) position.
- 2) With the vehicle stopped, press the plus (+) paddle forward to select SECOND (2). The vehicle will start from a stop position in SECOND (2).
- 3) Once the vehicle is moving select the desired drive gear.

Parking Brake



The parking brake lever is located to the right of the driver's seat.

To set the parking brake, hold the brake pedal down and pull up on the parking brake lever. If the ignition is on, the brake system warning light will come on.

To release the parking brake, hold the brake pedal down. Pull the parking brake lever up until you can press the release button. Hold the release button in as you move the brake lever all the way down.

Make sure to release the parking brake before driving the vehicle.

If the parking brake is applied and the vehicle is moving at least 4 mph (6 km/h), a chime will activate to remind you to release the parking brake.

CAUTION

Driving with the parking brake on can overheat the brake system and cause premature wear or damage to brake system parts. Verify that the parking brake is fully released and the brake warning light is off before driving.

Shifting Into Park (P)

⚠ WARNING

It can be dangerous to get out of your vehicle if the shift lever is not fully in PARK (P) with the parking brake firmly set. Your vehicle can roll. If you have left the engine running, the vehicle can move suddenly. You or others could be injured. To be sure your vehicle will not move, even when you are on fairly level ground, use the steps that follow. If you are pulling a trailer, refer to "Towing a Trailer" in "Towing" in the "Driving Your Vehicle" section.

- 1) Hold the brake pedal down and set the parking brake.
- 2) Move the shift lever into the PARK (P) position by holding in the button on the shift lever and pushing it all the way toward the front of the vehicle.
- 3) Turn the ignition key to LOCK.

- 4) Remove the key and take it with you. If you can leave your vehicle with the ignition key in your hand, your vehicle is in PARK (P).

Leaving Your Vehicle With the Engine Running

⚠ WARNING

It can be dangerous to leave your vehicle with the engine running. Your vehicle could move suddenly if the shift lever is not fully in PARK (P) with the parking brake firmly set. And, if you leave the vehicle with the engine running, it could overheat and even catch fire. You or others could be injured. Do not leave your vehicle with the engine running.

If you have to leave your vehicle with the engine running, be sure your vehicle is in PARK (P) and your parking brake is firmly set before you leave it. After you have moved the shift lever into PARK (P), hold the regular brake pedal down. Then, see if you can move the shift lever away from PARK (P) without first pushing the button. If you can, it means that the shift lever was not fully locked into PARK (P).

Torque Lock

If you are parking on a hill and you do not shift your transaxle into PARK (P) properly, the weight of the vehicle may put too much

force on the parking pawl in the transaxle. You may find it difficult to pull the shift lever out of PARK (P). This is called "torque lock." To prevent torque lock, set the parking brake and then shift into PARK (P) properly before you leave the driver's seat. To find out how, refer to "Shifting Into Park (P)" in this section.

When you are ready to drive, move the shift lever out of PARK (P) before you release the parking brake.

If torque lock does occur, you may need to have another vehicle push yours a little uphill to take some of the pressure from the parking pawl in the transaxle, so you can pull the shift lever out of PARK (P).

Shifting Out of Park (P)

Your vehicle has an automatic transaxle shift lock control system. You have to fully apply your regular brakes before you can shift from PARK (P) when the ignition is in RUN.

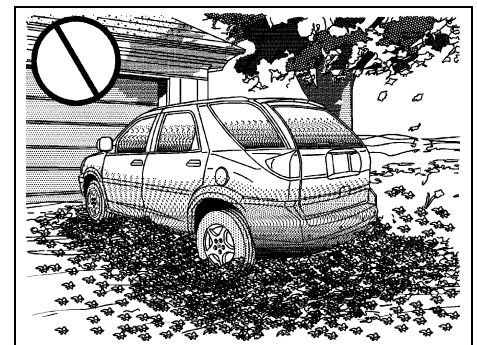
If you cannot shift out of PARK (P), ease pressure on the shift lever – push the shift lever all the way into PARK (P), as you maintain brake application. Then, press the button on the shift lever and move the shift lever into the gear you wish.

If you ever hold the brake pedal down but still cannot shift out of PARK (P), try this:

- 1) Turn the key to LOCK.

- 2) Apply and hold the brake until the end of Step 4.
- 3) Shift to NEUTRAL (N).
- 4) Start the vehicle and then shift to the desired drive gear.
- 5) Have your vehicle fixed as soon as you can.

Parking Over Things That Burn



806406

⚠ WARNING

Things that can burn could touch hot exhaust parts under your vehicle and ignite. Do not park over papers, leaves, dry grass, or other things that can burn.

FEATURES AND CONTROLS

FEATURES AND CONTROLS

Engine Exhaust

WARNING

Engine exhaust can kill. It contains the gas carbon monoxide (CO), which you cannot see or smell. It can cause unconsciousness and death.

You might have exhaust coming in if:

- The exhaust system sounds strange or different.
- Your vehicle gets rusty underneath.
- Your vehicle was damaged in a collision.
- Your vehicle was damaged when driving over high points on the road or over road debris.
- Repairs were not done correctly.
- Your vehicle or the exhaust system has been modified improperly.

If you ever suspect exhaust is coming into your vehicle:

- Drive it only with all the windows down to blow out any CO; and
- Have your vehicle fixed immediately.

Running the Engine While Parked

It is better not to park with the engine running. But if you ever have to, here are some things to know.

WARNING

Idling the engine with the climate control system off could allow dangerous exhaust into your vehicle. Refer to the earlier caution under “Engine Exhaust” in this section.

Also, idling in a closed-in place can let deadly carbon monoxide (CO) into your vehicle even if the climate control fan is at the highest setting. One place this can happen is a garage. Exhaust – with CO – can come in easily. NEVER park in a garage with the engine running.

Another closed-in place can be a blizzard. Refer to “Winter Driving” in “Your Driving, the Road, and Your Vehicle” in the “Driving Your Vehicle” section.

WARNING

It can be dangerous to get out of your vehicle if the shift lever is not fully in PARK (P) with the parking brake firmly set. Your vehicle can roll. Do not leave your vehicle when the engine is running unless you have to. If you have left the engine running, the vehicle can move suddenly. You or others could be injured. To be sure your vehicle will not move, even when you are on fairly level ground, always set your parking brake and move the shift lever to PARK (P).

Follow the proper steps to be sure your vehicle will not move. Refer to “Shifting Into Park (P)” in this section.

If you are parking on a hill and if you are pulling a trailer, also refer to “Towing a Trailer” in “Towing” in the “Driving Your Vehicle” section.

FEATURES AND CONTROLS

Mirrors

Manual Rearview Mirror

To adjust the angle of the mirror, move the mirror to a position that allows you see to out of the back window. To adjust the height of the mirror, adjust the arm that connects the mirror to the windshield.

To reduce glare from lights behind you, move the lever toward you to the night position.

Automatic Dimming Rearview Mirror

If the vehicle has this feature, the automatic dimming mirror automatically dims to the proper level to minimize glare at night from lights behind your vehicle.

On/Off:

This is the on/off button. A light near the on/off button will come on to indicate the automatic dimming is on.

If the automatic dimming function is off, press and hold the on/off button for four seconds to manually turn the system back on.

Cleaning the Mirror

When cleaning the mirror, use a paper towel or similar material dampened with glass cleaner. Do not spray glass cleaner directly on the mirror as that may cause the liquid cleaner to enter the mirror housing.

Automatic Dimming Rearview Mirror with Compass

Your vehicle may have an automatic-dimming rearview mirror with a compass.

Mirror Operation

When turned on, this mirror automatically dims to the proper level to minimize glare from any headlamps behind you after dark.

On/Off:

This is the on/off button for the automatic dimming feature and compass. Press the far left button, located below the mirror face, for up to four seconds to turn the feature on and off. A light on the mirror will be lit while the feature is turned on.

Compass Operation

Press the on/off button once to turn the compass on or off.

There is a compass display in the window in the upper right corner of the mirror face. The compass displays a maximum of two characters. For example, "NE" is displayed for north-east.

Compass Calibration

Press and hold the on/off button down for nine seconds to activate the compass calibration mode. CAL will be displayed in the compass window on the mirror.

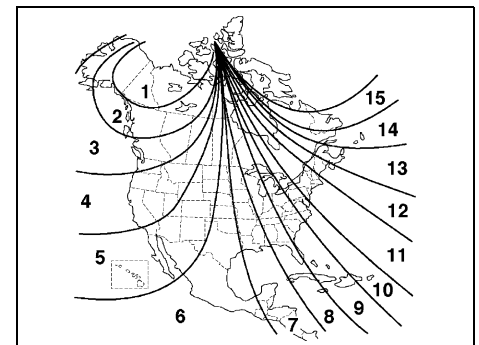
The compass can be calibrated by driving the vehicle in circles at 5 mph (8 km/h) or less until the display reads a direction.

Compass Variance

Compass variance is the difference between earth's magnetic north and true geographic north. The mirror is set to zone eight upon leaving the factory. It will be necessary to adjust the compass to compensate for compass variance if you live outside zone eight. Under certain circumstances, such as during a long distance cross-country trip, it will be necessary to adjust for compass variance. If not adjusted to account for compass variance, your compass could give false readings.

To adjust for compass variance, do the following:

- 1) Find your current location and variance zone number on the map.



806305

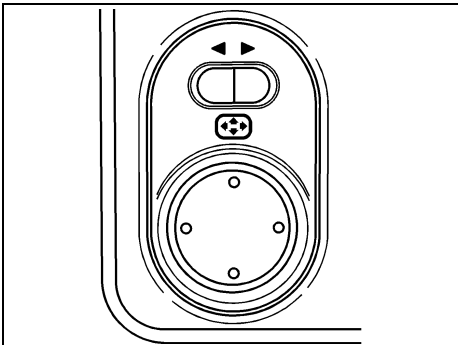
- 2) Press and hold the on/off button for six seconds. Release the button when

FEATURES AND CONTROLS

- ZONE is displayed. The number shown is the current zone number.
- 3) Scroll through the zone numbers that appear in the compass/temperature window on the mirror by pressing the on/off button. Once you find your zone number, release the button.

After about four seconds, the mirror will return to the compass display, and the new zone number will be set.

Outside Power Mirrors



1262035

The controls for the power mirrors are located on the instrument panel.

To adjust the mirrors, do the following:

- 1) Move the selector switch to the left or right to choose the driver's or passenger's mirror.
- 2) Press the corresponding edges of the round control pad to move each mirror to the desired direction.

Adjust each outside mirror so that you can see a little of your vehicle, and the area behind your vehicle.

Outside Convex Mirrors

The passenger's side mirror is convex. A convex mirror's surface is curved, creating a wider area of vision for the driver.

⚠ WARNING

A convex mirror can make things (like other vehicles) look farther away than they really are. If you cut too sharply into the right lane, you could hit a vehicle on your right. Check your inside mirror or glance over your shoulder before changing lanes.

Storage Areas

Glove Box

To open the glove box, lift the handle up.

Cupholder(s)

There are two cupholders, with removable liners, located in front of the center console armrest. To access, slide the cover back. The two cupholders are located in a removable tray. To remove the tray, press the tab located at the front of the tray and pull up. To replace the tray, place the two tabs at the rear of the tray into the slots and press the tray down. Underneath the tray is an additional storage area.

There are cupholders located in the second row seat armrest. To access, pull the armrest down.

If your vehicle has the third row seat, there will be a cupholder located next to each side.

Sunglasses Storage Compartment

Your vehicle may have a sunglasses storage compartment located near the rear-view mirror. Push the cover to open.

Garage Door Opener Compartment

Your vehicle may have a garage door opener compartment. It is located next to the sunglasses storage compartment. Push the latch to open.

FEATURES AND CONTROLS

Center Console Storage Area

Your vehicle has a center console armrest with storage area. Use the top lever on the front of the console to open it. There is an additional storage area underneath the center console. To access, use the bottom lever and pull the console up.

Assist Handles

There are assist handles with garment hooks located above the rear passenger doors.

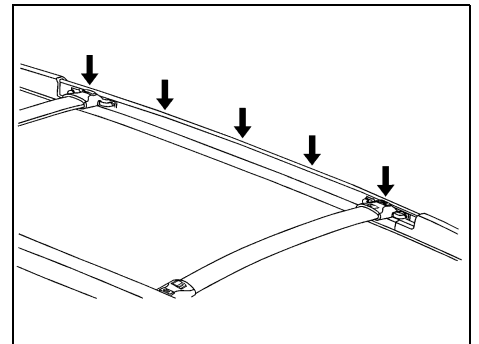
Luggage Carrier

▲ WARNING

If you try to carry something on top of your vehicle that is longer or wider than the luggage carrier – like paneling, plywood, a mattress and so forth – the wind can catch it as you drive along. This can cause you to lose control. What you are carrying could be violently torn off, and this could cause you or other drivers to have a collision, and of course damage your vehicle. You may be able to carry something like this inside. But, never carry something longer or wider than the luggage carrier on top of your vehicle.

A luggage carrier allows you to load things on top of your vehicle. The luggage carrier has side rails attached to the roof, sliding crossrails (if equipped) and places to use for tying things down. These let you load some things on top of your vehicle, as long as they are not wider or longer than the luggage carrier.

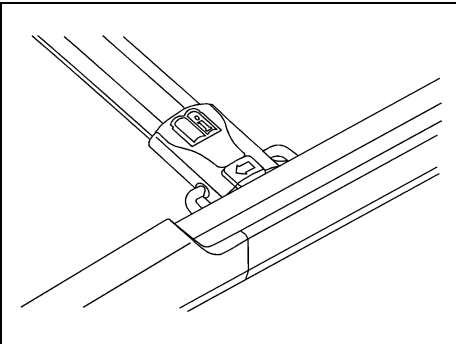
The roof rack crossrails lock in five positions along the straight section of the side rail.



1768137

Press the levers down until the locking mechanisms fully engage to the side rail. Make sure each lever is in the down position. The crossrail will not slide when properly engaged.

FEATURES AND CONTROLS



1767348

To reposition the crossrail, pull up on the end levers on each side of the crossrail to the upright position. This will release the locking mechanism from the siderail. Lift and place the crossrail into the new position. Press the levers down until the locking mechanisms fully engage to the side rail. Make sure each lever is in the down position. The crossrail will not slide when properly engaged.

⚠ WARNING

Loading cargo on the luggage carrier that weighs more than 220 lbs (100 kg) or hangs over the rear or sides of the vehicle may damage your vehicle. Load cargo so that it rests on the slats as far forward as possible and against the side rails, making sure to fasten it securely.

Do not stand on the plastic lower body panel when loading cargo on the luggage carrier.

Loading cargo on the luggage carrier will make the center of vehicle gravity higher. Avoid high speeds, sudden starts, sharp turns, sudden braking or abrupt maneuvers. This could result in loss of control of the vehicle.

Do not exceed the maximum vehicle capacity when loading your vehicle. For more information on vehicle capacity and loading, refer to "Loading Your Vehicle" in "Your Driving, the Road, and Your Vehicle" in the "Driving Your Vehicle" section.

To prevent damage or loss of cargo as you are driving, check now and then to make sure the luggage carrier crossrails are locked and cargo is still securely fastened.

When the luggage carrier is not in use, store the crossrails inside the vehicle. If not possible, lock one crossrail at the rear most position on the siderails and lock the other crossrail above the opening of the rear door to reduce wind noise.

Rear Seat Armrest

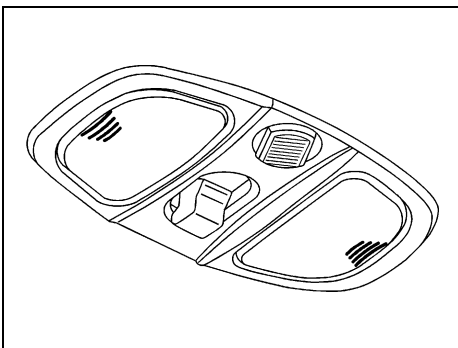
Your vehicle may have a rear seat armrest that contains two cupholders. To access the cupholders, pull the armrest down from the rear seatback.

Convenience Net

Your vehicle may have a rear compartment net to prevent items from rolling under the rear seat. There may also be four convenience net tie-downs. Two tie-downs are located on the side trim just behind the rear seat and the other two are located on the floor at the rear of the cargo area.

Sunroof

If your vehicle has this feature, the sunroof switch is located on the headliner above the rearview mirror. The ignition must be in RUN or ACC, or Retained Accessory Power (RAP) must be active, to operate the sunroof. Refer to "Retained Accessory Power (RAP)" in this section for more information.



1753772

To express-open the sunroof glass panel and sunshade, press the switch rearward and release it.

To stop the sunroof before it is completely open, press the switch rearward again. The sunshade cannot be closed with the sunroof open.

To close the sunroof, press forward and hold the switch until the sunroof stops, lifts, and seals at the back of the sunroof glass.

Press forward on the switch again to make sure the sunroof is fully closed.

To put the sunroof in the vent position, pull down on the front of the switch. Push up on the front of the switch to close it.

FEATURES AND CONTROLS

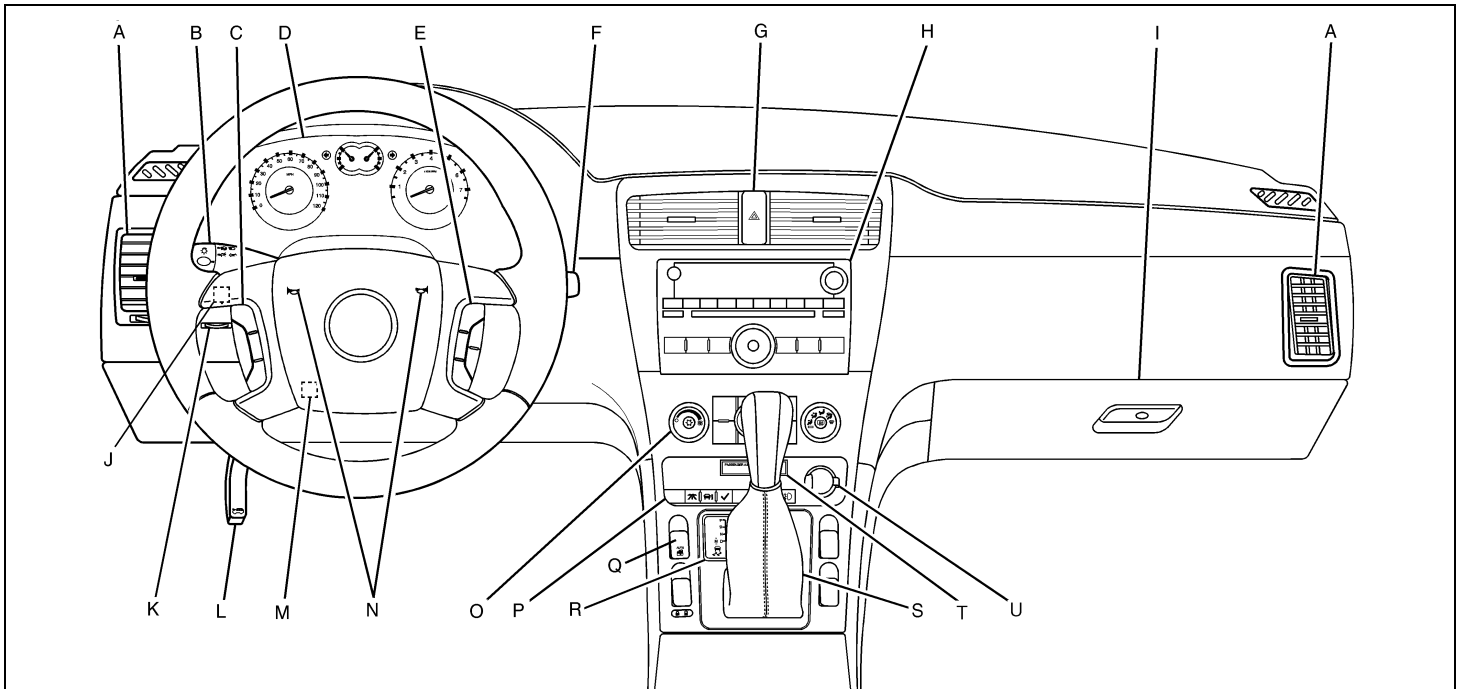
MEMO

INSTRUMENT PANEL

Instrument Panel Overview 3-1
Climate Controls 3-10
Warning Lights, Gages, and Indicators 3-15
Driver Information Center (DIC) 3-27
Audio System(s) 3-39

INSTRUMENT PANEL

Instrument Panel Overview



1732990

INSTRUMENT PANEL

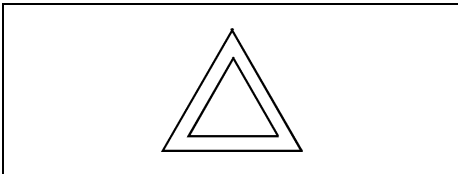
The main components of your instrument panel are the following:

- A. Air Outlets. Refer to "Outlet Adjustment" in this section.
- B. Turn Signal/Multifunction Lever. Refer to "Turn Signal/Multifunction Lever" in this section.
- C. Cruise Controls. Refer to "Cruise Control" in this section.
- D. Instrument Panel Cluster. Refer to "Instrument Panel Cluster" in this section.
- E. Audio Steering Wheel Controls. Refer to "Audio Steering Wheel Controls" in this section.
- F. Windshield Wiper/Washer Lever. Refer to "Windshield Wipers" in this section.
- G. Hazard Warning Flasher Button. Refer to "Hazard Warning Flashers" in this section.
- H. Audio System. Refer to "Audio System(s)" in this section.
- I. Glove Box. Refer to "Glove Box" in "Storage Areas" in the "Features and Controls" section.
- J. Power Mirror Control. Refer to "Outside Power Mirrors" in "Mirrors" in the "Features and Controls" section.
- K. Instrument Panel Brightness Control. Refer to "Instrument Panel Brightness" in this section.
- L. Hood Release. Refer to "Hood Release" in "Checking Things Under the Hood" in the "Service and Appearance Care" section.
- M. Tilt Wheel Lever. Refer to "Tilt Wheel" in this section.
- N. Horn. Refer to "Horn" in this section.
- O. Climate Controls (If Equipped). Refer to "Climate Control System" in this section or Automatic Climate Controls (If Equipped). Refer to "Automatic Climate Control System" in this section. Heated Seats Buttons (If Equipped). Refer to "Heated Seats" in "Front Seats" in the "Seats and Restraint Systems" section.
- P. Driver Information Center Controls. Refer to "DIC Operation and Displays" in this section. Rear Window Wiper/Washer Buttons. Refer to "Rear Window Wiper/Washer" in this section. Fog Lamps Button. Refer to "Fog Lamps" in this section.
- Q. Power Window Switches. Refer to "Power Windows" in "Windows" in the "Features and Controls" section.
- R. Traction Control System Button. Refer to "Traction Control System (TCS)" in "Your Driving, the Road, and Your Vehicle" in the "Driving Your Vehicle" section.
- S. Shift Lever. Refer to "Shifting Into Park (P)" in "Starting and Operating Your Vehicle" in the "Features and Controls" section.
- T. Passenger Airbag Status Indicator. Refer to "Passenger Airbag Status Indicator" in this section.
- U. Accessory Power Outlet. Refer to "Accessory Power Outlet(s)" in this section.

INSTRUMENT PANEL

Hazard Warning Flashers

The hazard warning flashers let you warn the police and others that you have a problem. The front and rear turn signal lamps will flash on and off.



1223926

The hazard warning flasher button is located in the center of the instrument panel.

The hazard warning flashers work no matter what position the key is in, and even if the key is not in the ignition switch.

Press the button to make the front and rear turn signal lamps flash on and off. Press the button again to turn the flashers off.

While the hazard warning flashers are on, the turn signals do not work.

Other Warning Devices

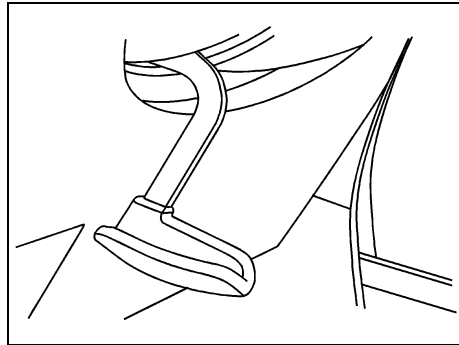
If you carry reflective triangles, you can set them up at the side of the road about 300 feet (100 m) behind your vehicle.

Horn

Press near or on the horn symbols on your steering wheel pad to sound the horn.

Tilt Wheel

Your vehicle has a tilt wheel that allows you to adjust the steering wheel.

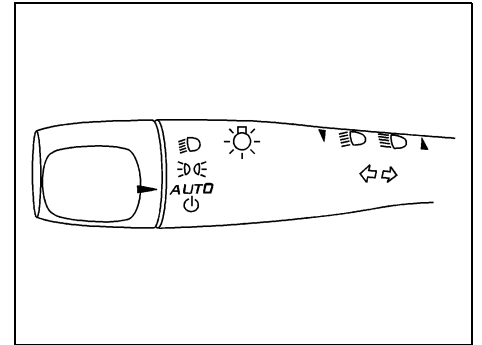


1262086

The lever to tilt the steering wheel is located on the left side of the steering column.

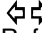

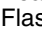

To tilt the wheel, hold the steering wheel and push the lever down. Then, move the steering wheel to a comfortable position and pull the lever up firmly to lock the column in place.

Turn Signal/Multifunction Lever



1766015

The lever on the left side of the steering column includes the following:

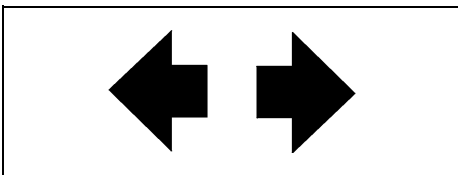
-  Turn and Lane-Change Signals. Refer to "Turn and Lane-Change Signals" in this section.
-  Headlamp High/Low-Beam Changer. Refer to "Headlamp High/Low-Beam Changer" in this section.
-  Flash-to-Pass. Refer to "Flash-to-Pass" in this section.
-  Exterior Lamp Control. Refer to "Headlamps" in this section.

Turn and Lane-Change Signals

The turn signal has two upward (for right) and two downward (for left) positions. These positions allow you to signal a turn or a lane change.

INSTRUMENT PANEL

To signal a turn, move the lever all the way up or down. When the turn is finished, the lever will return automatically.



808320

An arrow on the instrument panel cluster will flash in the direction of the turn or lane change.

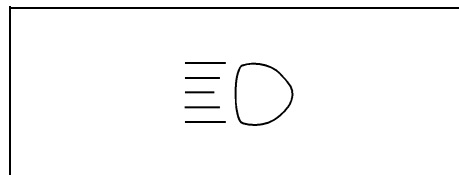
To signal a lane change, raise or lower the lever until the arrow starts to flash. Hold it there until you complete the lane change. The lever will return by itself when you release it.

As you signal a turn or a lane change, if the arrows flash rapidly, a signal bulb may be burned out and other drivers won't see your turn signal.

If a bulb is burned out, replace it to help avoid an accident. If the arrows do not go on at all when you signal a turn, check the fuse, refer to "Fuses and Circuit Breakers" in "Electrical System" in the "Service and Appearance Care" section and for burned-out bulbs.

Headlamp High/Low-Beam Changer

To change the headlamps from low beam to high, push the turn signal lever away from you. To change from high beam to low beam, pull the turn signal lever towards you. To flash the high beams from low beam, pull the turn signal lever all the way towards you. Then release it.



1799557

When the high beams are on, this light on the instrument panel cluster will also be on.

Flash-to-Pass

This feature lets you use your high-beam headlamps to signal a driver in front of you that you want to pass.

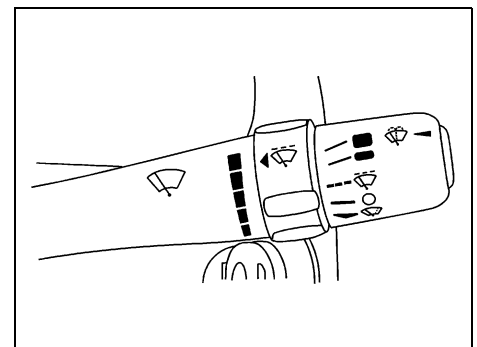
To flash the high beams from low beam, pull the turn signal/multifunction lever all the way towards you. Then release it.

Windshield Wipers

Be sure to clear ice and snow from the wiper blades before using them. If the wiper blades are frozen to the windshield, gently loosen or thaw them. If the blades do become damaged, install new blades or blade inserts. Refer to "Windshield Wiper

Blade Replacement" in the "Service and Appearance Care" section.

Heavy snow or ice can overload the wiper motor. A circuit breaker will stop the motor until it cools down. Clear away snow or ice to prevent an overload.



1766016

Use the lever on the right side of the steering column to operate the windshield wipers.

■ (High Speed):

Move the lever to this position for steady wiping at high speed.

■ (Low Speed):

Move the lever to this position for steady wiping at low speed.

⏸ (Delay):

Move the lever to this position to set a delay between wipes.

INSTRUMENT PANEL

(Delay Adjustment):

Move the lever to the delay position to choose a delayed wiping cycle. Turn the intermittent adjust band down for a longer delay or up for a shorter delay.

(Off):

Move the lever to this position to turn off the windshield wipers.

(Mist):

Move the lever all the way down to mist and release for a single wiping cycle. The windshield wipers will stop after one wipe and then return to the original position. If more wipes are needed, hold the lever on mist longer.

Windshield Washer

WARNING

In freezing weather, do not use your washer until the windshield is warmed. Otherwise the washer fluid can form ice on the windshield, blocking your vision.

There is a button marked with the windshield washer symbol at the end of the windshield wiper lever. Press this button to spray washer fluid on the windshield. The wipers will run for a few cycles to clear the window and then either stop or return to your preset speed. For more wash cycles, press and hold the button longer.

Rear Window Wiper/Washer

The rear wiper and rear wash buttons are located in the switchbank above the shift lever.

(Rear Wiper):

Press this button to turn the rear wiper on and off. When the button is on, the rear wiper will run continuously at a preset speed.

(Wash):

Press this button to spray washer fluid on the rear window. The window wiper will also come on. Release the button when enough fluid has been sprayed on the window. The rear wiper will run a few more cycles after it is released. If the rear wiper function was already on, prior to pressing the wash button, it will continue to stay on until you press the wiper button again.

The rear window washer uses the same fluid that is in the windshield washer reservoir. Refer to "Windshield Washer Fluid" in "Checking Things Under the Hood" in the "Service and Appearance Care" section.

Cruise Control

With cruise control, you can maintain a speed of about 25 mph (40 km/h) or more without keeping your foot on the accelerator. This can really help on long trips. Cruise control does not work at speeds below 25 mph (40 km/h).

WARNING

Cruise control can be dangerous where you cannot drive safely at a steady speed. So, do not use your cruise control on winding roads or in heavy traffic.

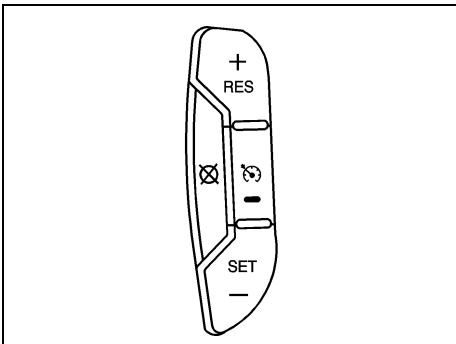
Cruise control can be dangerous on slippery roads. On such roads, fast changes in tire traction can cause excessive wheel slip, and you could lose control. Do not use cruise control on slippery roads.

Setting Cruise Control

WARNING

If you leave your cruise control on when you are not using cruise, you might hit a button and go into cruise when you do not want to. You could be startled and even lose control. Keep the cruise control switch off until you want to use cruise control.

INSTRUMENT PANEL



The cruise control buttons are located on the left side of the steering wheel.

(On/Off):

Press this button to turn the cruise control system on and off. The indicator light is on when cruise control is on and turns off when cruise control is off.

+RES (Resume):

Press this button to resume a set speed and to accelerate the speed.

SET- (Set):

Press this button to set a speed and to decrease the speed.

(Cancel):

Press this button to cancel cruise control without erasing the set speed from memory.

Setting Cruise Control

The cruise control light on the instrument panel cluster will come on after the cruise control has been set to the desired speed.

- 1) Press the on/off button to turn cruise control on.
- 2) Get up to the speed you want.
- 3) Press the SET- button and release it.
- 4) Take your foot off the accelerator pedal.

When the brakes are applied, the cruise control shuts off.

If the vehicle is in cruise control and the Traction Control System (TCS) begins to limit wheel spin, the cruise control will automatically disengage. Refer to "Traction Control System (TCS)" in "Your Driving, the Road, and Your Vehicle" in the "Driving Your Vehicle" section. When road conditions allow, the cruise control can be used again.

Resuming a Set Speed

Suppose you set your cruise control at a desired speed and then you apply the brakes. This shuts off the cruise control. The cruise symbol in the instrument panel cluster will also go off indicating cruise is no longer engaged. To return to your previously set speed, you do not need to go through the set process again.

Once you are driving about 25 mph (40 km/h) or more, press the +RES button on your steering wheel. The vehicle will go

back to the previous set speed and stay there.

Increasing Speed While Using Cruise Control

There are two ways to go to a higher speed.

- Press and hold the +RES button on the steering wheel until you reach your new desired speed, then release it.
- To increase vehicle speed in small amounts, press the +RES button. Each time you do this, you will go about 1 mph (1.6 km/h) faster.

Reducing Speed While Using Cruise Control

To reduce your speed while using cruise control:

- Press and hold the SET- button on the steering wheel until the desired lower speed is reached, then release it.
- To slow down in very small amounts, push the SET- button on the steering wheel briefly. Each time you do this, the vehicle will go about 1 mph (1.6 km/h) slower.

Passing Another Vehicle While Using Cruise Control

Use the accelerator pedal to increase your speed. When you take your foot off the pedal, your vehicle will slow down to the cruise control speed you set earlier. However, if you use the accelerator to increase

INSTRUMENT PANEL

the vehicle's speed for approximately 60 seconds, cruise control will disengage.

Using Cruise Control on Hills

How well your cruise control will work on hills depends upon your speed, load, and the steepness of the hills. When going up steep hills, you may have to step on the accelerator pedal to maintain your vehicle's speed. When going downhill, you may have to brake or shift to a lower gear to limit the vehicle's speed. Of course, applying the brakes ends cruise control. Many drivers find this to be too much trouble and do not use cruise control on steep hills.

Ending Cruise Control

There are three ways to end cruise control:

- Step lightly on the brake pedal.
- Press the cancel button on the steering wheel.
- Press the On/Off button on the steering wheel.

Erasing Speed Memory

When the cruise control or the ignition is turned off, the cruise control set speed memory is erased.

Headlamps

The exterior lamp control is located on the turn signal/multifunction lever.

(Exterior Lamp Control):

Turn the control with this symbol on it to operate the exterior lamps.

The exterior lamp control has the following positions:

AUTO (Off/Automatic Headlamps):

Turn the control to this position to put the headlamps in automatic mode. Automatic mode will turn the exterior lamps on and off depending upon how much light is available outside of the vehicle.

(Parking Lamps):

Turn the control to this position to turn on the parking lamps together with the following:

- Sidemarker Lamps
- Taillamps
- License Plate Lamps
- Instrument Panel Lights

(Headlamps):

Turning the control to this position turns on the headlamps, together with the previously listed lamps and lights.

Headlamps on Reminder

If you open the driver's door with the ignition off and the lamps on, you will hear a warning chime.

Daytime Running Lamps (DRL)

Daytime Running Lamps (DRL) can make it easier for others to see the front of your vehicle during the day. DRL can be helpful in many different driving conditions, but they can be especially helpful in the short periods after dawn and before sunset. Fully functional daytime running lamps are required on all vehicles first sold in Canada.

A light sensor on top of the instrument panel makes the DRL work, so be sure it is not covered.

The DRL system's automatic headlamp control will make the low-beam headlamps come on at a reduced brightness when the following conditions are met:

- The ignition is in RUN.
- The exterior lamps control is in AUTO.
- The engine is running.

When the DRL are on, only the low-beam headlamps, at a reduced level of brightness, will be on. The headlamps, taillamps, sidemarker, and other lamps will not be on. The instrument panel and cluster will also not be lit.

When it is dark enough outside, the DRL will turn off and the headlamps and parking lamps will turn on. The other lamps that come on with the headlamps will also come on.

When it is bright enough outside, the headlamps will go off and the DRL will come on.

As with any vehicle, you should turn on the regular headlamp system when you need it.

Automatic Headlamp System

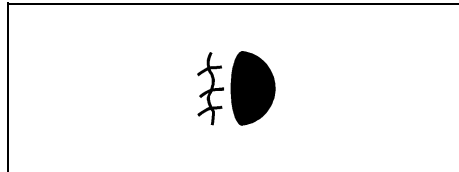
When it is dark enough outside and the exterior lamps control is in the automatic position, the headlamps will come on automatically. Refer to "Headlamps" in this section.

Your vehicle has a light sensor located on top of the instrument panel. Make sure it is not covered, or the headlamps will be on when you do not need them.

The system may also turn on the headlamps when driving through a parking garage or tunnel.

Fog Lamps

If your vehicle has this feature, use your fog lamps for better visibility in foggy or misty conditions.



808603

The button for your fog lamps is located on the center console; to the right of the rear wiper and rear wash switches and above the shift lever.

Push the button to turn the fog lamps on or off.

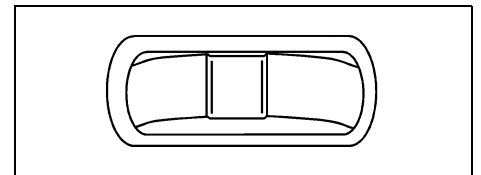
When using fog lamps, the parking lamps or low-beam headlamps must be on.

A light on the button will come on when the fog lamps are on. Fog lamps will go off whenever you turn the high-beam headlamps on. When the high-beam headlamps are turned off, the fog lamps will come on again.

Some localities have laws that require the headlamps to be on along with the fog lamps.

Instrument Panel Brightness

This feature controls the brightness of the instrument panel lights.



1788862

The control for this feature is located on the instrument panel to the left of the steering column.

Turn the control to the right to brighten the lights or to the left to dim them.

Dome Lamp

The dome lamp switch has three positions.

○ (Off):

The lamp will not come on as long as the switch is in this position.

AUTO (Auto):

The lamp will come on when a door is opened. Refer to "Entry Lighting" in this section.

| (On):

The lamp will stay on as long as the switch is in this position.

Entry Lighting

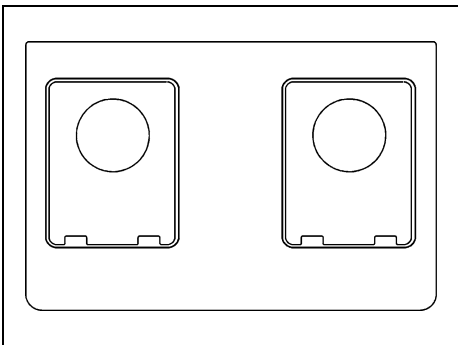
If the dome lamp is in the AUTO position, the dome lamp and the cargo lamp inside

INSTRUMENT PANEL

INSTRUMENT PANEL

your vehicle will come on when any door is opened. In addition, the light will come on when the remote keyless entry unlock button is pressed. It will stay on for 20 seconds or until a door is opened. After the door is opened the light will remain on and stay on for 20 seconds after the doors are closed, or until you put the key in the ignition and turn the key to RUN.

Map Lamps



1788863

Your vehicle may have lamps located on the headliner above the rearview mirror. Push on the lens in the lamp to turn them on and off.

Cargo Lamp

The cargo lamp is located over the rear compartment, and is controlled by the dome lamp. Refer to "Dome Lamp" in this section.

Electric Power Management

The vehicle has Electric Power Management (EPM) that estimates the battery's temperature and state of charge. It then adjusts the voltage for best performance and extended life of the battery.

When the battery's state of charge is low, the voltage is raised slightly to quickly put the charge back in. When the state of charge is high, the voltage is lowered slightly to prevent overcharging. If the vehicle has a voltmeter gage or voltage display on the Driver Information Center (DIC), you may see the voltage move up or down. This is normal. If there is a problem, an alert will be displayed.

The battery can be discharged at idle if the electrical loads are very high. This is true for all vehicles. This is because the generator (alternator) may not be spinning fast enough at idle to produce all the power that is needed for very high electrical loads.

A high electrical load occurs when several of the following loads are on: headlamps, high beams, fog lamps, rear window defogger, climate control fan at high speed, heated seats, engine cooling fans, trailer

loads, and loads plugged into accessory power outlets.

EPM works to prevent excessive discharge of the battery. It does this by balancing the generator's output and the vehicle's electrical needs. It can increase engine idle speed to generate more power, whenever needed. It can temporarily reduce the power demands of some accessories.

Normally, these actions occur in steps or levels, without being noticeable. In rare cases at the highest levels of corrective action, this action may be noticeable to the driver. If so, a Driver Information Center (DIC) message might be displayed, such as Battery Saver Active or Service Battery Charging System. If this message is displayed, it is recommended that the driver reduce the electrical loads as much as possible. Refer to "DIC Warnings and Messages" in this section.

Battery Run-Down Protection

Your vehicle has a battery saver feature designed to protect the vehicle's battery.

When any interior lamp is left on and the ignition is turned off, the battery rundown protection system will automatically turn the lamp off after 20 minutes. This will avoid draining the battery. This vehicle also has a retained accessory power feature. If the radio is on, it will turn off after 10 minutes or if any door on the vehicle is opened. Refer to "Retained Accessory

INSTRUMENT PANEL

Power (RAP)" in "Starting and Operating Your Vehicle" in the "Features and Controls" section.

Accessory Power Outlet(s)

The accessory power outlets can be used to connect electrical equipment such as a cellular phone or CB radio.

Your vehicle may have four accessory power outlets. They are located on the instrument panel below the climate controls, inside the front center console storage bin under the cupholders, at the rear of the center console, and in the rear cargo area.

To use the outlets, remove the cover. When not in use, always cover the outlet with the protective cap.

CAUTION

Leaving electrical equipment on for extended periods will drain the battery. Always turn off electrical equipment when not in use and do not plug in equipment that exceeds the maximum amperage rating.

Certain electrical accessories may not be compatible with the accessory power outlets and could result in blown vehicle or adapter fuses. If you experience a problem, see your dealer for additional information on the accessory power outlet.

CAUTION

Adding any electrical equipment to your vehicle may damage it or keep other components from working as they should. The repairs would not be covered by your warranty. Do not use equipment exceeding maximum amperage rating of 20 amperes. Check with your dealer before adding electrical equipment.

When adding electrical equipment, be sure to follow the installation instructions included with the equipment.

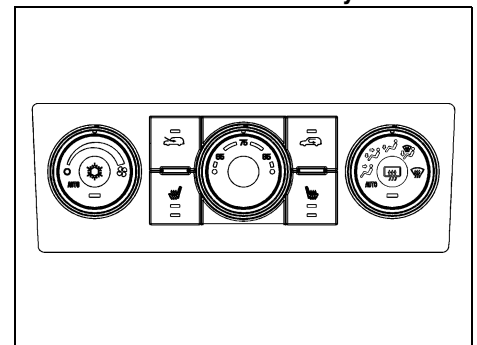
CAUTION

Improper use of the power outlet can cause damage not covered by your warranty. Do not hang any type of accessory or accessory bracket from the plug because the power outlets are designed for accessory power plugs only.

Climate Controls

Automatic Climate Control System
With this system you can control the heating, cooling, and ventilation for the vehicle.

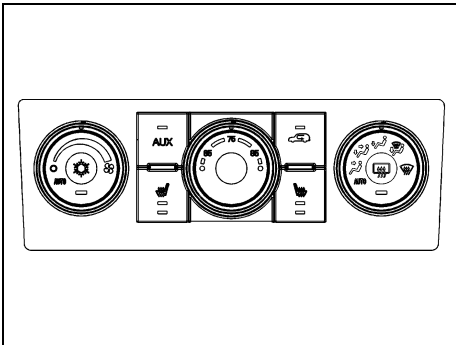
Automatic Climate Control System



1824513

INSTRUMENT PANEL

Automatic Climate Control System with Rear Air Conditioning and Heating System



1732674

Automatic Operation

AUTO (Automatic Fan):

When this position is selected on the fan control, the system automatically adjusts the fan speed.

Temperature Setting:

The system uses the outside temperature, passenger compartment air temperature, and solar load sensors to maintain the chosen temperature setting.

AUTO (Automatic Mode):

- 1) Turn the fan and mode control to the AUTO position.
- 2) Adjust the temperature to a comfortable setting between 31°F (16°C) and 89°F (31°C). Choosing the coldest or warmest temperature setting does not cause

the system to heat or cool any faster. In cold weather; the system starts at lower fan speeds to avoid blowing cold air into the vehicle until warmer air is available. The system begins blowing air at the floor, but can change modes automatically as the vehicle warms up to maintain the chosen temperature setting. The length of time needed to warm the interior depends on the outside temperature and temperature of the vehicle.

- 3) Wait 20 to 30 minutes for the system to stabilize in order for the system to regulate automatically. Then adjust the temperature as necessary to find your comfort setting. Do not cover the solar sensor located in the center of the instrument panel near the windshield. For more information on the solar sensor, refer to "Sensors" later in this section.

(AUTO RECIRCULATION):

Using the previous temperature setting, the system automatically controls the air inlet to supply fresh outside air or recirculate the interior air to cool the car faster. The indicator light on the recirculation button lights whenever the system switches to recirculation. Switch to outside air by pressing the outside air button, if the vehicle has a rear climate control system, or by pressing the recirculation button. See AUX for more information. The next time AUTO fan or mode is selected, the air inlet resets back to AUTO operation.

Manual Operation

(Fan):

Turn the left knob to increase or decrease the fan speed. In any setting other than off, the fan runs continuously with the ignition on. To turn off the air completely, turn the fan to 0 and select the recirculation button.

Temperature Control:

Turn the center knob to increase or decrease the temperature inside your vehicle.

Use the right knob to select from the following modes:

There is one position between each mode to finely adjust airflow position.

(Vent):

This mode directs air to the instrument panel outlets.

(Bi-Level):

This mode directs approximately half of the air to the instrument panel outlets, and then directs the remaining air to the floor outlets.

(Floor):

This mode directs most of the air to the floor outlets with some air directed to the windshield and side window outlets.

The right knob can also be used to select the defrost and defog modes that are described in this section.

INSTRUMENT PANEL

The modes can also be selected by pressing the following buttons:

AUX (Auxiliary):

This button is on a vehicle that has the Rear Climate Control System. Press it to turn on the rear heating and air conditioning. Refer to "Rear Air Conditioning and Heating System" in this section for more information.

(Outside Air):

Press this button to turn on the outside air mode. While this mode is on, outside air circulates throughout the vehicle. An indicator light in the button comes on when this button is pressed. The outside air mode can be used with all modes, but it cannot be used with the recirculation mode.

(Recirculation):

Press this button to recirculate cabin air through the vehicle. It can be used to prevent outside air and odors from entering the vehicle or to help heat or cool the air inside the vehicle more quickly. An indicator light above the symbol comes on in this mode. Operation in this mode during periods of high humidity and cool outside temperatures can result in increased window fogging. If window fogging is experienced, select the defrost mode.

The recirculation mode cannot be used with outside air, floor, defog, or defrost modes.

If your vehicle has a Rear Climate Control System, use this button to switch between outside air and recirculation.

(Air Conditioning):

Press this button to turn the air conditioning system on or off. When this button is pressed, an indicator light on the button comes on to let you know the air conditioning is activated.

On hot days, open the windows to let hot inside air escape, then close them. This helps to reduce the time it takes for the vehicle to cool down. It also helps the system to operate more efficiently.

The air conditioning system removes moisture from the air, so you might notice a small amount of water dripping underneath the vehicle while idling or after turning off the engine. This is normal.

(Heated Seats):

If your vehicle has heated seats, refer to "Heated Seats" in the "Seats and Restraint Systems" section for more information.

Defogging and Defrosting

Fog or frost on the inside of windows is a result of high humidity (moisture) condensing on the cool window glass. This can be minimized if the climate control system is used properly. To avoid fogging windows on rainy and humid days at temperatures above freezing, run the air conditioning compressor. It is best to avoid the use of the recirculation mode, except when maxi-

mum A/C performance is needed or for short times to avoid exterior odors.

Use the floor/defog mode to clear the windows of fog or moisture and warm the passengers. Use the defrost mode to remove fog or frost from the windshield more quickly.

When either of these modes or the floor mode is selected, the system runs the air conditioning compressor and cancels recirculation mode to dry the air; however, the recirculation light stays on. For best results, clear all snow and ice from the windshield before defrosting.

Turn the right knob to select the defog or defrost mode.

(Floor/Defog):

This mode directs about half of the air to the floor outlets and the remaining air to the windshield and the side window outlets.

(Defrost):

This mode directs most of the air to the windshield and the side window outlets.

Rear Window Defogger

The rear window defogger uses a warming grid to remove fog from the rear window.

The rear window defogger only works when the ignition is in RUN.

INSTRUMENT PANEL

(Rear):

Press this button to turn the rear window defogger on or off. An indicator light on the button comes on to let you know that the rear window defogger is activated.

The rear window defogger only works when the ignition is in RUN. The rear window defogger stays on for approximately 15 minutes after the button is pressed, unless the ignition is turned to ACC or LOCK. If turned on again, the defogger only runs for about five minutes before turning off. The defogger can also be turned off by pressing the button again or by turning off the engine.

CAUTION

Do not use anything sharp on the inside of the rear window. If you do, you could cut or damage the warming grid, and the repairs would not be covered by your warranty. Do not attach a temporary vehicle license, tape, a decal or anything similar to the defogger grid.

Outlet Adjustment

Use the louvers located on the air outlets to change the direction of the airflow.

Operation Tips

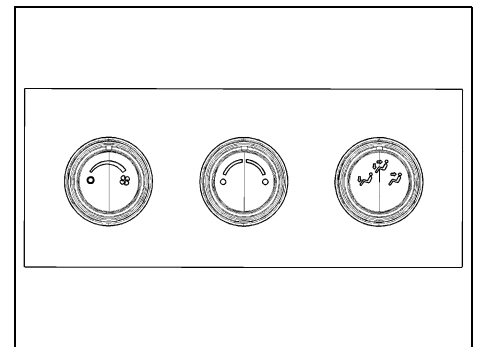
- Clear away any ice, snow, or leaves from the air inlets at the base of the vehicle that may block the flow of air into your vehicle.
- Do not use any non-SUZUKI approved hood deflectors that could adversely affect the performance of the system.
- Keep the path under the front seats clear of objects to help circulate the air inside of your vehicle more effectively.

Rear Air Conditioning and Heating System

If your vehicle has this system, the rear controls are three knobs located on the rear of the center floor console. The system can be controlled from the front controls as well as the rear controls.

To turn the system on, press the AUX button on the front climate control system, an indicator light will be lit. Pressing the AUX button the first time will turn the rear system on in a mimic mode. In this mode, the airflow in the rear will be similar to the airflow direction, temperature, and fan speed of the front controls. The rear system can be turned off by pressing the AUX button again or by turning the rear fan control knob counterclockwise all the way.

If the rear controls are adjusted after the AUX button is pressed, the system will enter a rear independent mode. Airflow in the rear is then directed according to the settings of the rear controls.



1732690

Fan Knob

Turn the left knob clockwise or counterclockwise to increase or decrease the fan speed. Turn the knob all the way counterclockwise to turn the rear system off.

Temperature Knob

The middle knob on the control panel lets you select the temperature of the air flowing into the passenger area. Turn the knob clockwise toward the red area for warmer air. Turn the knob counterclockwise toward the blue area for cooler air.

INSTRUMENT PANEL

Mode Knob

The right knob on the control panel lets you to choose the direction of air delivery.

(Vent):

This setting directs the air through the headliner outlets.

(Bi-Level):

This setting directs the air through the floor outlets, as well as the headliner outlets. The rear system floor outlets are located near third row seats. The flow can be divided between vent and floor outlets depending upon where the knob is placed between the settings.

(Floor):

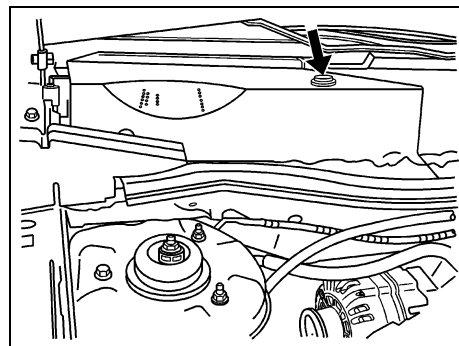
This setting directs most of the air through the floor outlets. The rear system floor outlets are located near third row seats.

Passenger Compartment Air Filter

Outside air is routed through a passenger compartment air filter before entering the vehicle. This filter removes certain particles from the air, including pollen and dust particles. Reductions in airflow, which may occur more quickly in dusty areas, indicate that the filter needs to be replaced early.

The filter should be replaced as part of routine scheduled maintenance. Refer to "Scheduled Maintenance" in "Maintenance Schedule" in the "Maintenance Schedule" section for when to replace the filter.

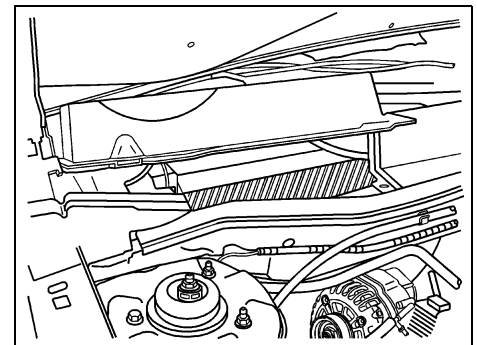
To change the passenger compartment air filter, use the following steps:



- 1) Remove the push pins from the rear of the passenger's side air inlet panel. It is located in the rear of the engine com-

partment on the passenger side of the vehicle.

- 2) Open the hood.
- 3) Remove the push pins from the top and forward edge of the passenger's side air inlet panel.
- 4) Remove the air inlet panel.
- 5) Remove the filter from the filter housing by pressing the release tab at the inboard edge of the filter housing.



- 6) Remove the filter from the vehicle.
- 7) Install a new passenger compartment air filter. For the type of filter to use refer to "Normal Maintenance Replacement Parts" in "Maintenance Schedule" in the "Maintenance Schedule" section.
- 8) Reverse Steps 1 through 5.

INSTRUMENT PANEL

Warning Lights, Gages, and Indicators

This part describes the warning lights and gages that may be on your vehicle. The pictures will help you locate them.

Warning lights and gages can signal that something is wrong before it becomes serious enough to cause an expensive repair or replacement. Paying attention to your warning lights and gages could also save you or others from injury.

Warning lights come on when there may be or is a problem with one of your vehicle's functions. As you will see in the details on the following pages, some warning lights come on briefly when you start the engine just to let you know they are working. If you are familiar with this section, you should not be alarmed when this happens.

Gages can indicate when there may be or is a problem with one of your vehicle's functions. Often gages and warning lights work together to let you know when there is a problem with your vehicle.

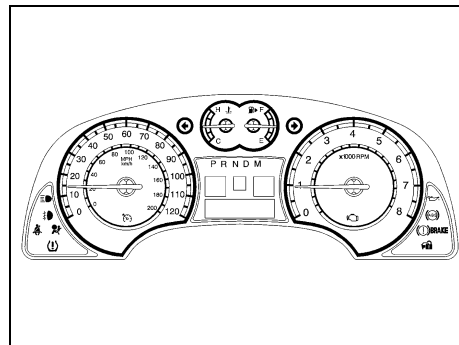
When one of the warning lights comes on and stays on when you are driving, or when one of the gages shows there may be a problem, check the section that tells you what to do about it. Please follow this manual's advice. Waiting to do repairs can be costly and even dangerous. So please

get to know your warning lights and gages. They are a big help.

Instrument Panel Cluster

Your instrument panel cluster is designed to let you know at a glance how your vehicle is running. You will know how fast you are going, how much fuel you are using, and many other things you will need to drive safely and economically.

United States version shown, Canada similar



1716507

Speedometer and Odometer

Your speedometer lets you see your speed in both miles per hour (mph) and kilometers per hour (km/h).

Your odometer shows how far your vehicle has been driven, in either miles (used in the United States) or kilometers (used in Canada).

Your vehicle has a tamper resistant odometer. The digital odometer will read 999999 if someone tries to turn it back.

You may wonder what happens if your vehicle needs a new odometer installed. If the new one can be set to the mileage total of the old odometer, then it must be. If not, then it is set at zero and a label must be put on the driver's door to show the old mileage reading when the new odometer was installed.

Trip Odometer

Your trip odometer is located in the Driver Information Center and shows how far your vehicle has been driven since the trip odometer was last reset. For more information refer to "DIC Operation and Displays" in this section.

INSTRUMENT PANEL

Tachometer

The tachometer shows your engine speed in revolutions per minute (rpm).

CAUTION

If you operate the engine with the tachometer in the solid red area, your vehicle could be damaged. The damages would not be covered by your warranty. Do not operate the engine in the solid red area.

Safety Belt Reminder Light

When the key is turned to RUN or START, a chime will come on for several seconds to remind people to fasten their safety belts, unless the driver's safety belt is already buckled.



The safety belt light will also come on and stay on for several seconds, then it will flash for several more.

If the driver's belt is already buckled, neither the chime nor the light will come on.

Passenger Safety Belt Reminder Light

Several seconds after the key is turned to RUN or START, a chime will sound for several seconds to remind the front passenger to buckle their safety belt. This would only occur if the passenger airbag is enabled. Refer to "Passenger Sensing System" in "Airbag System" in the "Seats and Restraint Systems" section for more information. The passenger safety belt light will also come on and stay on for several seconds, then it will flash for several more.



This chime and light will be repeated if the passenger remains unbuckled and the vehicle is in motion.

If the passenger's safety belt is buckled, neither the chime nor the light will come on.

Airbag Readiness Light

There is an airbag readiness light on the instrument panel, which shows the airbag symbol. The system checks the airbag's electrical system for malfunctions. The light tells you if there is an electrical problem. The system check includes the airbag sensor, the airbag modules, the wiring and the crash sensing and diagnostic module.



This light will come on when you start your vehicle, and it will flash for a few seconds. Then the light should go out. This means the system is ready.

If the airbag readiness light stays on after you start the vehicle or comes on when you are driving, your airbag system may not work properly. Have your vehicle serviced right away.

INSTRUMENT PANEL

⚠ WARNING

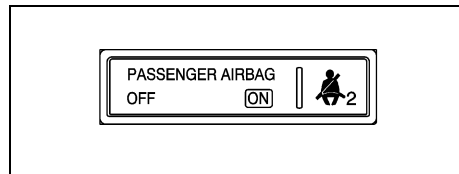
If the airbag readiness light stays on after you start your vehicle, it means the airbag system may not be working properly. The airbags in your vehicle may not inflate in a crash, or they could even inflate without a crash. To help avoid injury to yourself or others, have your vehicle serviced right away if the airbag readiness light stays on after you start your vehicle.

The airbag readiness light should flash for a few seconds when you turn the ignition key to RUN. If the light does not come on then, have it fixed so it will be ready to warn you if there is a problem.

Passenger Airbag Status Indicator

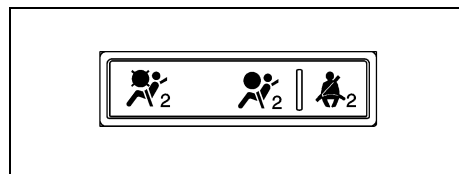
Your vehicle has the passenger sensing system. Your instrument panel has a passenger airbag status indicator.

United States



1476572

Canada



1476529

When the ignition key is turned to RUN or START, the passenger airbag status indicator will light ON and OFF, or the symbol for on and off, for several seconds as a system check. Then, after several more seconds, the status indicator will light either ON or OFF, or either the on or off symbol to let you know the status of the right front passenger's frontal airbag.

There is a label on your sun visor that says, "Never put a rear-facing child seat in the front." This is because the risk to the rear-facing child is so great if the airbag deploys.

⚠ WARNING

Even though the passenger sensing system is designed to turn off the passenger's frontal airbag if the system detects a rear-facing child restraint, no system is fail-safe, and no one can guarantee that an airbag will not deploy under some unusual circumstance, even though it is turned off. We recommend that rear-facing child restraints be secured in the rear seat, even if the airbag is off.

If your vehicle does not have a rear seat that will accommodate a rear-facing child restraint, never put a child in a rear-facing child restraint in the right front passenger seat unless the passenger airbag status indicator shows off and the airbag is off. Here is why:

INSTRUMENT PANEL

▲ WARNING

Even though the passenger sensing system is designed to turn off the passenger's frontal airbag if the system detects a rear-facing child restraint, no system is fail-safe, and no one can guarantee that an airbag will not deploy under some unusual circumstance, even though it is turned off. We recommend that rear-facing child restraints be transported in vehicles with a rear seat that will accommodate a rear-facing child restraint, whenever possible.

If the word ON or the on symbol is lit on the passenger airbag status indicator, it means that the right front passenger's frontal airbag is enabled (may inflate).

▲ WARNING

If the on indicator comes on when you have a rear-facing child restraint installed in the right front passenger's seat, it means that the passenger sensing system has not turned off the passenger's frontal airbag. A child in a rear-facing child restraint can be seriously injured or killed if the right front passenger's airbag inflates. This is because the back of the rear-facing child restraint would be very close to the inflating airbag. Do not use a rear-facing child restraint in the right front passenger's seat if the airbag is turned on.

If the word OFF or the off symbol is lit on the airbag status indicator, it means that the passenger sensing system has turned off the right front passenger's frontal airbag. Refer to "Passenger Sensing System" in "Airbag System" in the "Seats and Restraint Systems" section for more on this, including important safety information.

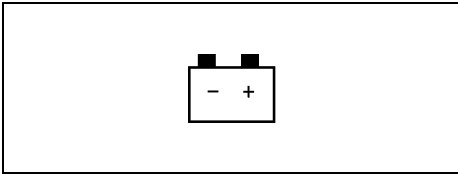
If, after several seconds, all status indicator lights remain on, or if there are no lights at all, there may be a problem with the lights or the passenger sensing system. See your dealer for service.

▲ WARNING

If the off indicator and the airbag readiness light ever come on together, it means that something may be wrong with the airbag system. If this ever happens, have the vehicle serviced promptly, because an adult-size person sitting in the right front passenger seat may not have the protection of the frontal airbag. Refer to "Airbag Readiness Light" in this section.

INSTRUMENT PANEL

Battery Warning Light



812700

Your vehicle has a battery warning light.

If this light comes on while you are driving, be sure to turn off accessories such as the radio and climate control system. Have your vehicle serviced right away. The SERVICE BATTERY CHARGING SYSTEM message may also appear in the Driver Information Center. Refer to "DIC Warnings and Messages" in this section for more information.

Brake System Warning Light

Your vehicle's hydraulic brake system is divided into two parts. If one part is not working, the other part can still work and stop you. For good braking, though, you need both parts working well.

If the brake system warning light comes on, there is a brake problem. Have your brake system inspected right away.

United States



1240159

Canada



861215

The brake light is located in the instrument panel cluster.

This light should come on briefly when you turn the ignition key to RUN. If it does not come on then, have it fixed so it will be ready to warn you if there is a problem.

When the ignition is on, the brake light will come on when you set your parking brake. The light will stay on if your parking brake does not release fully. A chime will also sound if the parking brake is not fully released and the vehicle is moving. If it stays on after your parking brake is fully released, it means you have a brake problem.

The brake light will also come on to indicate a low brake fluid level. Refer to "Brakes" in "Checking Things Under the Hood" in the "Service and Appearance Care" section for more information.

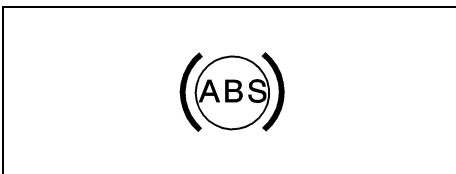
If the light comes on while you are driving, pull off the road and stop carefully. You may notice that the pedal is harder to push or the pedal may go closer to the floor. It may take longer to stop. If the light is still on, have the vehicle towed for service. Refer to "Towing Your Vehicle" in "Towing" in the "Driving Your Vehicle" section.

WARNING

Your brake system may not be working properly if the brake system warning light is on. Driving with the brake system warning light on can lead to an accident. If the light is still on after you have pulled off the road and stopped carefully, have the vehicle towed for service.

INSTRUMENT PANEL

Anti-Lock Brake System Warning Light



807057

With the Anti-Lock Brake System (ABS), the light will come on when your engine is started and stay on for several seconds. This is normal.

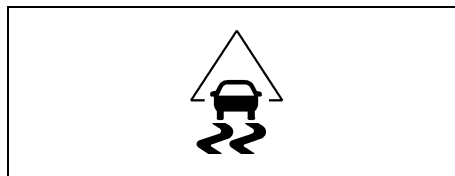
If the ABS warning light comes on and stays on, there may be a problem with the anti-lock portion of the brake system. If the brake system warning light is not on, you still have brakes, but you do not have anti-lock brakes. Refer to "Brake System Warning Light" in this section for more information.

If the light stays on, turn the ignition to LOCK. If the light comes on when you are driving, stop as soon as possible and turn the ignition off. Then start the engine again to reset the system. If the light still stays on, or comes on again while you are driving, your vehicle needs service. If the regular brake system warning light is not on, you still have brakes, but you do not have anti-lock brakes. If the regular brake system warning light is also on, you do not have anti-lock brakes and there is a prob-

lem with your regular brakes. Refer to "Brake System Warning Light" in this section for more information.

The ABS warning light should come on briefly when you turn the ignition key to RUN. If the light does not come on then, have it fixed so it will be ready to warn you if there is a problem.

Traction Control System (TCS) Warning Light



1545635

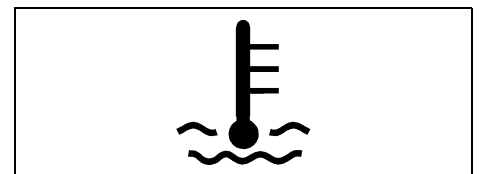
Your vehicle has a traction control system warning light.

This light will come on when your traction control system is limiting wheel spin. You may feel or hear the system working, but this is normal. This light may also come on after extended heavy braking indicating the brakes have become too hot to limit wheel spin.

If the traction control system warning light comes on and stays on for an extended period of time when the system is turned on, your vehicle needs service. Refer to "Traction Control System (TCS)" in "Your Driving, the Road, and Your Vehicle" in the

"Driving Your Vehicle" section for more information.

Engine Coolant Temperature Warning Light



808241

The engine coolant temperature warning light will come on when the engine has overheated.

If this happens you should pull over and turn off the engine as soon as possible. Refer to "Engine Overheating" in "Checking Things Under the Hood" in the "Service and Appearance Care" section for more information.

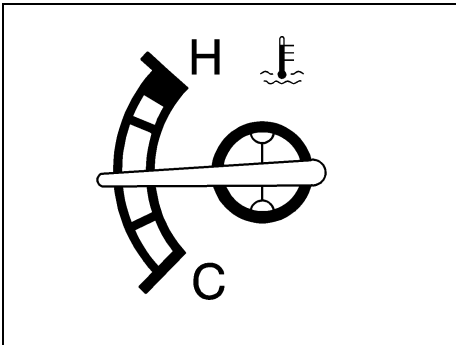
NOTE:

Driving with the engine coolant temperature warning light on could cause your vehicle to overheat. Refer to "Engine Overheating" in "Checking Things Under the Hood" in the "Service and Appearance Care" section. Your vehicle could be damaged, and it might not be covered by your warranty. Never drive with the engine coolant temperature warning light on.

INSTRUMENT PANEL

This light will also come on when starting your vehicle. If it does not, have your vehicle serviced.

Engine Coolant Temperature Gage

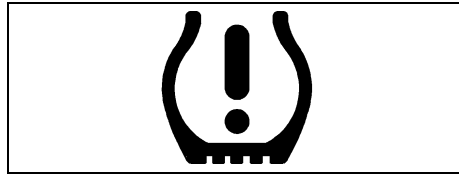


This gage shows the engine coolant temperature. If the pointer moves towards the H, the engine is too hot.

A temperature indicator light will turn on and a chime will sound.

If you have been operating your vehicle under normal driving conditions, and the temperature indicator light comes on, you should pull off the road, stop your vehicle and turn off the engine as soon as possible.

Tire Pressure Light



This light will come on briefly when you turn the ignition to RUN.

This light will also come on when one or more of your tires are significantly underinflated.

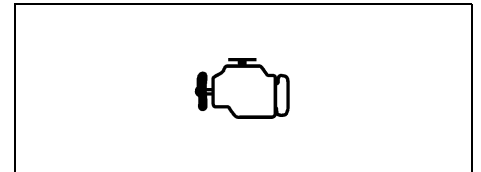
A CHECK TIRE PRESSURE DIC message will accompany the light.

Stop and check your tires as soon as it is safe to do so. If underinflated, inflate to the proper pressure. Refer to "Tires" in the "Service and Appearance Care" section for more information.

This light will flash for 60 seconds and then turn on solid if a problem is detected with the Tire Pressure Monitor system.

Refer to "Tire Pressure Monitor System" in "Tires" in the "Service and Appearance Care" section for more information.

Malfunction Indicator Lamp Check Engine Light



Your vehicle has a computer which monitors operation of the fuel, ignition, and emission control systems.

This system is called OBD II (On-Board Diagnostics-Second Generation) and is intended to assure that emissions are at acceptable levels for the life of the vehicle, helping to produce a cleaner environment. The check engine light comes on to indicate that there is a problem and service is required. Malfunctions often will be indicated by the system before any problem is apparent. This may prevent more serious damage to your vehicle. This system is also designed to assist your service technician in correctly diagnosing any malfunction.

INSTRUMENT PANEL

CAUTION

If you keep driving your vehicle with this light on, after awhile, the emission controls might not work as well, your vehicle's fuel economy might not be as good, and the engine might not run as smoothly. This could lead to costly repairs that might not be covered by your warranty.

CAUTION

Modifications made to the engine, transaxle, exhaust, intake, or fuel system of your vehicle or the replacement of the original tires with other than those of the same Tire Performance Criteria (TPC) can affect your vehicle's emission controls and may cause this light to come on. Modifications to these systems could lead to costly repairs not covered by your warranty. This may also result in a failure to pass a required Emission Inspection/Maintenance test. Refer to "Accessories and Modifications" in "Service" in the "Service and Appearance Care" section.

This light should come on, as a check to show you it is working, when the ignition is on and the engine is not running. If the light does not come on, have it repaired.

This light will also come on during a malfunction in one of two ways:

- **Light Flashing**

A misfire condition has been detected. A misfire increases vehicle emissions and may damage the emission control system on your vehicle. Diagnosis and service may be required.

- **Light On Steady**

An emission control system malfunction has been detected on your vehicle. Diagnosis and service may be required.

If the Light is Flashing

The following may prevent more serious damage to your vehicle:

- Reducing vehicle speed
- Avoiding hard accelerations
- Avoiding steep uphill grades
- If you are towing a trailer, reduce the amount of cargo being hauled as soon as it is possible

If the light stops flashing and remains on steady, see "If the Light Is On Steady" following.

If the light continues to flash, when it is safe to do so, stop the vehicle. Find a safe place to park your vehicle. Turn the key off, wait at least 10 seconds and restart the engine. If the light remains on steady, see "If the Light Is On Steady" following. If the light is still flashing, follow the previous

steps, and see your dealer for service as soon as possible.

If the Light Is On Steady

You may be able to correct the emission system malfunction by considering the following:

Did you recently put fuel into your vehicle?

If so, reinstall the fuel cap, making sure to fully install the cap. Refer to "Filling the Tank" in "Fuel" in the "Service and Appearance Care" section. The diagnostic system can determine if the fuel cap has been left off or improperly installed. A loose or missing fuel cap will allow fuel to evaporate into the atmosphere. A few driving trips with the cap properly installed should turn the light off.

Did you just drive through a deep puddle of water?

If so, your electrical system may be wet. The condition will usually be corrected when the electrical system dries out. A few driving trips should turn the light off.

Have you recently changed brands of fuel?

If so, be sure to fuel your vehicle with quality fuel. Refer to "Gasoline Octane" in "Fuel" in the "Service and Appearance Care" section. Poor fuel quality will cause your engine not to run as efficiently as designed. You may notice this as stalling after start-up, stalling when you put the vehicle into gear, misfiring, hesitation on

INSTRUMENT PANEL

acceleration, or stumbling on acceleration. (These conditions may go away once the engine is warmed up.) This will be detected by the system and cause the light to turn on.

If you experience one or more of these conditions, change the fuel brand you use. It will require at least one full tank of the proper fuel to turn the light off.

If none of the above steps have made the light turn off, your dealer can check the vehicle. Your dealer has the proper test equipment and diagnostic tools to fix any mechanical or electrical problems that may have developed.

Emissions Inspection and Maintenance Programs

Some state/provincial and local governments have or may begin programs to inspect the emission control equipment on your vehicle. Failure to pass this inspection could prevent you from getting a vehicle registration.

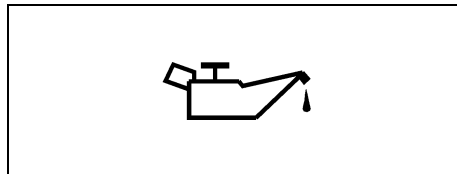
Here are some things you need to know to help your vehicle pass an inspection:

Your vehicle will not pass this inspection if the check engine light is on or not working properly.

Your vehicle will not pass this inspection if the OBD (on-board diagnostic) system determines that critical emission control systems have not been completely diag-

nosed by the system. The vehicle would be considered not ready for inspection. This can happen if you have recently replaced your battery or if your battery has run down. The diagnostic system is designed to evaluate critical emission control systems during normal driving. This may take several days of routine driving. If you have done this and your vehicle still does not pass the inspection for lack of OBD system readiness, your dealer can prepare the vehicle for inspection.

Oil Pressure Light



808235

If you have a low engine oil pressure problem, this light will stay on after you start your engine, or come on when you are driving. This indicates that your engine is not receiving enough oil.

The engine could be low on oil, or could have some other oil problem. Have it fixed immediately.

The oil light could also come on in three other situations:

- When the ignition is on but the engine is not running, the light will come on as a

test to show you it is working, but the light will go out when you turn the ignition to START. If it does not come on with the ignition on, you may have a problem with the fuse or bulb. Have it fixed right away.

- If the vehicle is idling at a stop sign, the light may blink on and then off.
- If you make a hard stop, the light may come on for a moment. This is normal.

WARNING

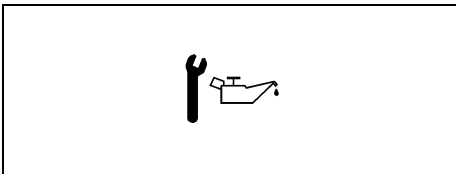
Do not keep driving if the oil pressure is low. If you do, your engine can become so hot that it catches fire. You or others could be burned. Check your oil as soon as possible and have your vehicle serviced.

CAUTION

Lack of proper engine oil maintenance may damage the engine. The repairs would not be covered by your warranty. Always follow the maintenance schedule in this manual for changing engine oil.

INSTRUMENT PANEL

Change Engine Oil Light

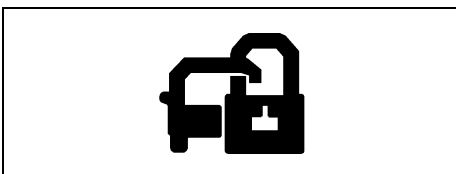


806876

If this light comes on and stays on for 30 seconds, it means that service is required for your vehicle.

After having the oil changed you will need to reset the light. Refer to "Engine Oil" in "Checking Things Under the Hood" in the "Service and Appearance Care" and "Scheduled Maintenance" in "Maintenance Schedule" in the "Maintenance Schedule" section for more information.

Security Light



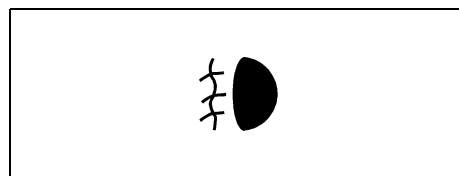
811473

Your vehicle has a theft-deterrent system. With this system, the security light will flash as you open the door if your ignition is off.

This light will come on briefly when the vehicle is turned on.

For more information, refer to "PASS-Key® III+ Operation" in "Theft-Deterrent Systems" in the "Features and Controls" section.

Fog Lamp Light

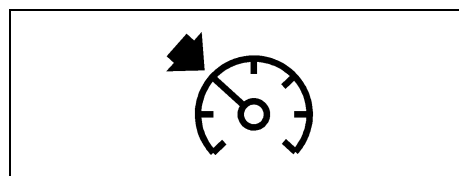


808603

The fog lamp light will come on when the fog lamps are in use.

The light will go out when the fog lamps are turned off. Refer to "Fog Lamps" in this section for more information.

Cruise Control Light

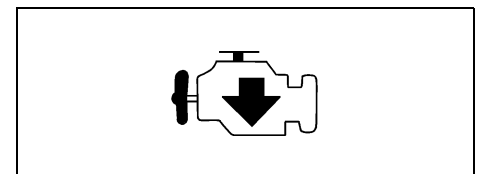


806861

This light comes on whenever you set the cruise control.

The light goes out when the cruise control is turned off. Refer to "Cruise Control" in this section for more information.

Reduced Engine Power Light



1278022

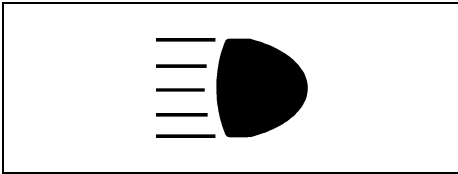
Your vehicle has a reduced engine power light.

This light, along with the service vehicle soon light, will be displayed when a noticeable reduction in the vehicle's performance may occur. Stop the vehicle and turn off the ignition. Wait for 10 seconds and restart your vehicle. This may correct the condition. Refer to "Service Vehicle Soon Light" in this section for more information.

The vehicle may be driven at a reduced speed when the reduced engine power light is on, but acceleration and speed may be reduced. The performance may be reduced until the next time you drive your vehicle. If this light stays on, see your SUZUKI dealer as soon as possible for diagnosis and repair.

INSTRUMENT PANEL

Highbeam On Light

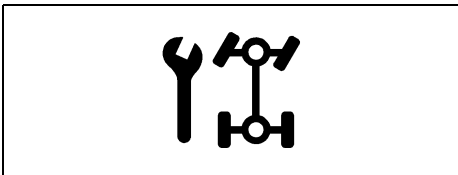


808597

This light comes on when the high-beam headlamps are in use.

Refer to “Headlamp High/Low-Beam Changer” in this section.

Service All-Wheel Drive Light



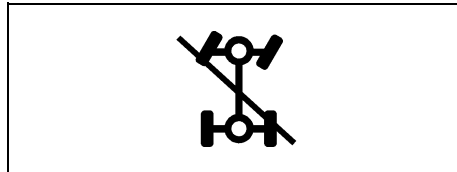
1710820

This light is located in the center of your instrument panel cluster.

This light and the SERVICE ALL WHEEL DRIVE message in the Driver Information Center (DIC) will come on and stay on to indicate that there may be a problem with the drive system and service is required. Refer to “All-Wheel Drive (AWD) System” in “Your Driving, the Road, and Your Vehicle” in the “Driving Your Vehicle” section

and “DIC Warnings and Messages” in this section for more information.

All-Wheel Drive Disabled Light



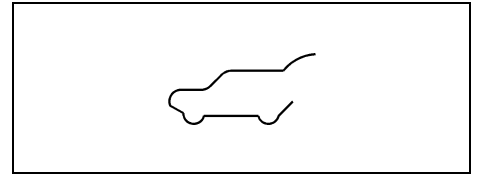
1710823

This light will come on when the rear drive system is overheating.

An ALL WHEEL DRIVE OFF message will appear in the Driver Information Center (DIC) too. This light will turn off when the rear drive system cools down. If this light stays on for a while, you need to reset the light. To reset the light, turn the ignition off and then back on again. If the light stays on, see your dealer right away.

Refer to “All-Wheel Drive” in the “Service and Appearance Care” section and “DIC Warnings and Messages” in this section for more information.

Gate Ajar Light



1326999

If this light comes on, your liftgate is not completely closed. Driving with the liftgate open can cause carbon monoxide (CO) to enter the vehicle.

Refer to “Engine Exhaust” in “Starting and Operating Your Vehicle” in the “Features and Controls” section for more information.

Door Ajar Light

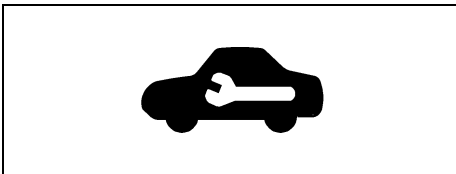


1734979

This light will come on when a door is ajar. Do not drive with a door ajar.

INSTRUMENT PANEL

Service Vehicle Soon Light

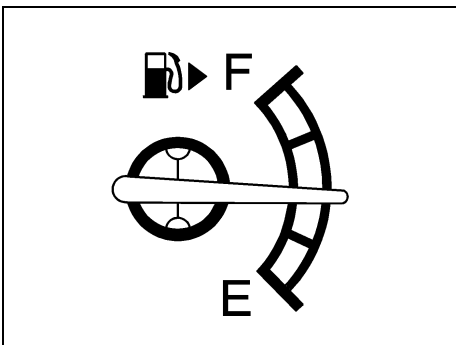


1254434

This light will come on if a condition exists that may require the vehicle to be taken in for service.

If the light comes on, see your dealer for service as soon as possible.

Fuel Gage



1716499

When the ignition is on, the fuel gage tells you about how much fuel you have left in your fuel tank.

When the indicator nears empty, the low fuel light will come on. You still have a little fuel left, but you should get more soon. Refer to "Low Fuel Warning Light" in this section for more information.

Here are four things that some owners ask about. None of these show a problem with your fuel gage:

- At the service station, the fuel pump shuts off before the gage reads full.
- It takes a little more or less fuel to fill up than the gage indicated. For example, the gage may have indicated the tank was half full, but it actually took a little more or less than half the tank's capacity to fill the tank.
- The gage moves a little when you turn a corner or speed up.
- The gage takes a few seconds to stabilize after the ignition is turned on, and will go back to empty when you turn the ignition off.

For your fuel tank capacity, refer to "Capacities and Specifications" in the "Service and Appearance Care" section.

Low Fuel Warning Light



1406936

This light is located below the fuel gage.

This light also comes on when the fuel tank is low on fuel. When you add fuel the light should go off. If it does not, have your vehicle serviced.

INSTRUMENT PANEL

Driver Information Center (DIC)

Your vehicle has a Driver Information Center (DIC).

All messages will appear in the DIC display located in the center of the instrument panel cluster. The DIC buttons are located on the center of the instrument panel.

The DIC comes on when the ignition is on. After a short delay, the DIC will display the information that was last displayed before the engine was turned off.

The DIC displays trip, fuel, and vehicle system information, and warning messages if a system problem is detected. The top of the DIC display shows the shift lever position indicator. Refer to "Automatic Transaxle Operation" in "Starting and Operating Your Vehicle" in the "Features and Controls" section for more information.

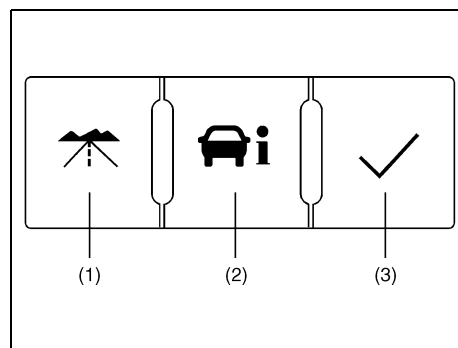
If your vehicle has this feature, the DIC also displays the outside air temperature when viewing the trip and fuel information. If there is a problem with the system that controls the temperature display, the numbers will be replaced with dashes. If this occurs, have the vehicle serviced by your dealer. If an abnormal temperature reading is displayed for an extended period of time, consult your dealer. Under certain circumstances, especially when the engine is idling, a delay updating the temperature display is normal.

The DIC also allows some features to be personalized. Refer to "DIC Vehicle Personalization" in this section for more information.

DIC Operation and Displays

The DIC has different displays which can be accessed by pressing the DIC buttons located on the center of the instrument panel.

DIC Buttons



1657854

The buttons are the trip/fuel, vehicle information, and set/reset buttons. The button functions are detailed in the following pages.

Trip/Fuel (1):

Press this button to scroll through the trip and fuel displays. See "Trip/Fuel Menu

Items" following for more information on these displays.

Vehicle Information (2):

Press this button to scroll through the vehicle information displays and to personalize the feature settings on your vehicle. Refer to "Vehicle Information Menu Items" following and "DIC Vehicle Personalization" in this section for more information on these displays.

Set/Reset (3):

Press this button to set or reset certain functions and to turn off or acknowledge messages on the DIC.

INSTRUMENT PANEL

Trip/Fuel Menu Items

Trip/Fuel (1):

Press this button to scroll through the following displays:

ODOMETER

Press the trip/fuel button until ODOMETER displays. This display shows the distance the vehicle has been driven in either miles (mi) or kilometers (km). This display will also show the outside air temperature in either degrees Fahrenheit (°F) or degrees Celsius (°C).

To change the DIC display to English or metric units, refer to “UNITS” later in this section.

TRIP

Press the trip/fuel button until TRIP displays. This display shows the current distance traveled in either miles (mi) or kilometers (km) since the last reset for the trip odometer. This display will also show the outside air temperature in either degrees Fahrenheit (°F) or degrees Celsius (°C).

The trip odometer can be reset to zero by pressing the set/reset button while the trip odometer is displayed.

AVERAGE SPEED

Press the trip/fuel button until AVERAGE SPEED displays. This display shows the average speed of the vehicle in miles per hour (mph) or kilometers per hour (km/h). This average is calculated based on the

various vehicle speeds recorded since the last reset of this value. To reset the value, press and hold the set/reset button. The display will return to zero.

AVG (Average) ECONOMY

Press the trip/fuel button until AVG ECONOMY displays. This display shows the approximate average miles per gallon (mpg) or liters per 100 kilometers (L/100 km). This number is calculated based on the number of mpg (L/100 km) recorded since the last time this menu item was reset. To reset this display, press and hold the set/reset button. The display will return to zero.

RANGE

Press the trip/fuel button until RANGE displays. This display shows the approximate number of remaining miles (mi) or kilometers (km) the vehicle can be driven without refueling.

The fuel range estimate is based on an average of the vehicle's fuel economy over recent driving history and the amount of fuel remaining in the fuel tank. This estimate will change if driving conditions change. For example, if driving in traffic and making frequent stops, this display may read one number, but if the vehicle is driven on a freeway, the number may change even though the same amount of fuel is in the fuel tank. This is because different driving conditions produce different fuel economies. Generally, freeway driving

produces better fuel economy than city driving.

If your vehicle is low on fuel, the FUEL LEVEL LOW message will be displayed. Refer to “FUEL LEVEL LOW” under “DIC Warnings and Messages” in this section for more information.

Blank Display

This display shows no information.

INSTRUMENT PANEL

Vehicle Information Menu Items

Vehicle Information (2):

Press this button to scroll through the following displays:

OIL LIFE

Press the vehicle information button until OIL LIFE REMAINING displays. This display shows an estimate of the oil's remaining useful life. If you see 99% OIL LIFE REMAINING on the display, that means 99% of the current oil life remains. The engine oil life system will alert you to change your oil on a schedule consistent with your driving conditions.

When the remaining oil life is low, the CHANGE ENGINE OIL SOON message will appear on the display. Refer to "CHANGE ENGINE OIL SOON" under "DIC Warnings and Messages" in this section. You should change your oil as soon as possible. Refer to "Engine Oil" in "Checking Things Under the Hood" in the "Service and Appearance Care" section. In addition to the engine oil life system monitoring the oil life, additional maintenance is recommended in the Maintenance Schedule in this manual. Refer to "Scheduled Maintenance" in "Maintenance Schedule" in the "Maintenance Schedule" section for more information.

Remember, you must reset the OIL LIFE yourself after each oil change. It will not reset itself. Also, be careful not to reset the OIL LIFE accidentally at any time other

than when the oil has just been changed. It cannot be reset accurately until the next oil change. To reset the engine oil life system, refer to "Engine Oil Life System" in "Checking Things Under the Hood" in the "Service and Appearance Care" section.

UNITS

Press the vehicle information button until UNITS displays. This display allows you to select between English or Metric units of measurement. Once in this display, press the set/reset button to select between ENGLISH or METRIC units.

FRONT TIRES or REAR TIRES

The pressure for each tire can be viewed in the DIC. The tire pressure will be shown in either pounds per square inch (psi) or kilopascals (kPa). Press the vehicle information button until the DIC shows FRONT TIRES PSI (kPa) LF ## (###) RF ## (###). Press the vehicle information button again until the DIC displays REAR TIRES PSI (kPa) LR ## (###) RR ## (###).

If a low or high tire pressure condition is detected by the system while driving, a message advising you to check the pressure in a specific tire will appear in the display. Refer to "Inflation - Tire Pressure" in "Tires" in the "Service and Appearance Care" section and "DIC Warnings and Messages" in this section for more information.

If the tire pressure display shows dashes instead of a value, there may be a problem

with your vehicle. If this consistently occurs, see your dealer for service.

BATTERY

Press the vehicle information button until BATTERY displays. This display shows the current battery voltage. If the voltage is low, the display will show LOW. If the voltage is high, the display will show HIGH. Your vehicle's charging system regulates voltage based on the state of the battery. The battery voltage may fluctuate when viewing this information on the DIC. This is normal. Refer to "Battery Warning Light" in this section for more information.

If there is a problem with the battery charging system, the DIC will display SERVICE BATTERY CHARGING SYSTEM. Refer to "SERVICE BATTERY CHARGING SYSTEM" under "DIC Warnings and Messages" in this section. Also, refer to "Electric Power Management" in this section for more information.

TIRE LOCATIONS

After rotating the tires or after replacing a tire or sensor, the system must re-learn the tire positions. To re-learn the tire positions, refer to "Tire Pressure Monitor System" in "Tires" in the "Service and Appearance Care" section. Refer to "Tire Inspection and Rotation" in "Tires" in the "Service and Appearance Care" section and "DIC Warnings and Messages" in this section for more information.

INSTRUMENT PANEL

RELEARN REMOTE KEY

This display allows you to match the Remote Keyless Entry (RKE) transmitter to your vehicle. To match a RKE transmitter to your vehicle, do the following:

- 1) Make sure the vehicle is in PARK (P).
- 2) Press the vehicle information button until **PRESS ✓ TO RELEARN REMOTE KEY** displays.
- 3) Press the set/reset button. The message **REMOTE KEY LEARNING ACTIVE** will display.
- 4) Press and hold the lock and unlock buttons on the first transmitter at the same time for about 15 seconds. A chime will sound indicating that the transmitter is matched.
- 5) To match additional transmitters at this time, repeat Step 3. Each vehicle can have a maximum of four transmitters matched to it.
- 6) To exit the programming mode, you must cycle the key to **LOCK**.

Blank Display

This display shows no information.

PERSONALIZATION

This display allows you to personalize the feature settings on your vehicle. Refer to "DIC Vehicle Personalization" in this section for more information.

DIC Warnings and Messages

Messages are displayed on the DIC to notify the driver that the status of the vehicle has changed and that some action may be needed by the driver to correct the condition. Multiple messages may appear one after another. Some messages may not require immediate action, but you can press the set/reset button to acknowledge that you received the messages and to clear them from the display. Pressing any of the DIC buttons also acknowledge and clear any messages. Some messages cannot be cleared from the DIC display because they are more urgent. These messages require action before they can be cleared. You should take any messages that appear on the display seriously and remember that clearing the messages will only make the messages disappear, not correct the problem. The following are the possible messages that can be displayed and some information about them.

ALL WHEEL DRIVE OFF

If your vehicle has the All-Wheel Drive (AWD) system, this message displays along with the All-Wheel Drive Disabled light when the rear drive system is overheating. This message turns off when the rear drive system cools down. If the warning message stays on for a while, you need to reset the warning message. To reset the warning message, turn the ignition off and then back on again. If the message stays on, see your dealer right away. Refer to

"All-Wheel Drive (AWD) System" in "Your Driving, the Road, and Your Vehicle" in the "Driving Your Vehicle" section and "All-Wheel Drive Disabled Light" in this section for more information.

BATTERY SAVER ACTIVE

This message displays when the charging system detects that the battery is being drained. You may notice that the vehicle attempts to reduce the drain for you by turning off accessories, such as interior fans, rear defogger, and heated seats. Turn off all accessories. If the vehicle is not running, start and run the engine for at least 10 minutes to allow the battery to recharge. If the engine is running and the condition persists, see your dealer immediately.

BUCKLE PASSENGER SEATBELT

This message reminds you to buckle the passenger's safety belt. Refer to "Passenger Sensing System" in "Airbag System" in the "Seats and Restraint Systems" section.

This message displays and a chime sounds when the ignition is on, the driver's safety belt is buckled, the passenger's safety belt is unbuckled with the passenger airbag enabled, and the vehicle is in motion. You should have the passenger buckle their safety belt.

This reminder will be repeated if the ignition is on, the vehicle is in motion, the driver is buckled and the passenger is still unbuckled, and the passenger airbag is

INSTRUMENT PANEL

enabled. If the passenger's safety belt is already buckled, this message and chime will not come on.

BUCKLE SEATBELT

This message reminds you to buckle the driver's safety belt.

This message displays and a chime sounds when the ignition is on, the driver's safety belt is unbuckled, and the vehicle is in motion. You should buckle your safety belt.

If the driver remains unbuckled when the ignition is on and the vehicle is in motion, the reminder will be repeated. If the driver's safety belt is already buckled, this message and chime will not come on.

This message is an additional reminder to the Safety Belt Reminder Light in the instrument panel cluster. Refer to "Safety Belt Reminder Light" in this section.

CHANGE ENGINE OIL SOON

This message displays when service is required for the vehicle. See your dealer. Refer to "Engine Oil" in "Checking Things Under the Hood" in the "Service and Appearance Care" section and "Scheduled Maintenance" in "Maintenance Schedule" in the "Maintenance Schedule" section for more information.

Acknowledging this message will not reset the OIL LIFE REMAINING display. That must be done at the OIL LIFE screen under the vehicle information menu. Refer

to "OIL LIFE" under "DIC Operation and Displays" in this section and "Engine Oil Life System" in "Checking Things Under the Hood" in the "Service and Appearance Care" section for more information.

CHECK TIRE PRESSURE

This message displays when the tire pressure in one of the tires needs to be checked. This message also displays LEFT FRONT, RIGHT FRONT, LEFT REAR, or RIGHT REAR to indicate which tire needs to be checked. You can receive more than one tire pressure message at a time. To read the other messages that may have been sent at the same time, press the set/reset button. If a tire pressure message appears on the DIC, stop as soon as you can. Have the tire pressures checked and set to those shown on the Tire Loading Information label. Refer to "Tires" in the "Service and Appearance Care" section, "Loading Your Vehicle" in "Your Driving, the Road, and Your Vehicle" in the "Driving Your Vehicle" section, and "Inflation - Tire Pressure" in "Tires" in the "Service and Appearance Care" section. The DIC display also shows the tire pressure values for the front and rear tires by pressing the vehicle information button. Refer to "DIC Operation and Displays" in this section. If the tire pressure is low, the low tire pressure warning light comes on. Refer to "Tire Pressure Light" in this section.

DRIVER DOOR OPEN

This message displays when the driver's door is not closed properly. When this message appears, make sure that the driver's door is closed completely.

ENGINE HOT A/C (Air Conditioning) OFF

This message displays when the engine coolant becomes hotter than the normal operating temperature. To avoid added strain on a hot engine, the air conditioning compressor is automatically turned off. When the coolant temperature returns to normal, the A/C operation automatically resumes. You can continue to drive your vehicle.

ENGINE OVERHEATD (Overheated) IDLE ENGINE

NOTE:

If you drive your vehicle while the engine is overheating, severe engine damage may occur. If an overheat warning appears on the instrument panel cluster and/or DIC, stop the vehicle as soon as possible. Do not increase the engine speed above normal idling speed. Refer to "Engine Overheating" in "Checking Things Under the Hood" in the "Service and Appearance Care" section for more information.

This message displays when the engine coolant temperature is too hot. Stop and allow the vehicle to idle until it cools down.

INSTRUMENT PANEL

ENGINE OVERHEATD (Overheated) STOP ENGINE

NOTE:

If you drive your vehicle while the engine is overheating, severe engine damage may occur. If an overheat warning appears on the instrument panel cluster and/or DIC, stop the vehicle as soon as possible. Refer to "Engine Overheating" in "Checking Things Under the Hood" in the "Service and Appearance Care" section for more information.

This message displays along with a continuous chime when the engine has overheated. Stop and turn the engine off immediately to avoid severe engine damage. Refer to "Engine Overheating" in "Checking Things Under the Hood" in the "Service and Appearance Care" section.

ENGINE POWER IS REDUCED

This message displays when the vehicle's engine power is reduced. Reduced engine power can affect the vehicle's ability to accelerate. If this message is on, but there is no reduction in performance, proceed to your destination. The performance may be reduced the next time the vehicle is driven. The vehicle may be driven at a reduced speed while this message is on, but acceleration and speed may be reduced. Anytime this message stays on, the vehicle should be taken to your dealer for service as soon as possible.

FUEL LEVEL LOW

This message displays when your vehicle is low on fuel. Refill the fuel tank as soon as possible. Refer to "Fuel Gage" in this section and "Filling the Tank" in "Fuel" in the "Service and Appearance Care" section for more information.

HOOD OPEN

This message displays on some vehicles when the hood is not closed properly. When this message appears, make sure that the hood is closed completely. Refer to "Hood Release" in "Checking Things Under the Hood" in the "Service and Appearance Care" section.

ICE POSSIBLE DRIVE WITH CARE

This message displays when the outside air temperature is cold enough to create icy road conditions. Adjust your driving accordingly.

LIFTGATE OPEN

This message displays when the liftgate is not closed completely. Make sure that the liftgate is closed completely. Refer to "Liftgate" in "Doors and Locks" in the "Features and Controls" section.

OIL PRSSURE (Pressure) LOW STOP ENGINE

CAUTION
<p>If you drive your vehicle while the engine oil pressure is low, severe engine damage may occur. If a low oil pressure warning appears on the Driver Information Center (DIC), stop the vehicle as soon as possible. Do not drive the vehicle until the cause of the low oil pressure is corrected. Refer to "Engine Oil" in "Checking Things Under the Hood" in the "Service and Appearance Care" section for more information.</p>

This message displays when the vehicle's engine oil pressure is low. The oil pressure light also appears on the instrument panel cluster. Refer to "Oil Pressure Light" in this section.

Stop the vehicle immediately, as engine damage can result from driving a vehicle with low oil pressure. Have the vehicle serviced by your dealer as soon as possible when this message is displayed.

PASSENGER DOOR FRONT/REAR OPEN

This message displays when one or more of the passenger's doors are not closed properly. When this message appears, make sure that all passenger doors are closed completely.

INSTRUMENT PANEL

REMOTE KEY LEARNING ACTIVE

This message displays while you are matching a Remote Keyless Entry (RKE) transmitter to your vehicle. Refer to "LEARN REMOTE KEY" under "DIC Operation and Displays" in this section for more information.

SERVICE A/C (Air Conditioning) SYSTEM

This message displays when there is a problem detected in the air conditioning system. Have the vehicle serviced by your dealer.

SERVICE AIR BAG

This message displays when there is a problem with the airbag system. Have your vehicle serviced by your dealer immediately. Refer to "Airbag Readiness Light" in this section for more information.

SERVICE ALL WHEEL DRIVE

If your vehicle has the All-Wheel Drive (AWD) system, this message displays along with the service all-wheel drive light if a problem occurs with this system. Refer to "Service All-Wheel Drive Light" in this section. If this message appears, stop as soon as possible and turn off the vehicle. Restart the vehicle and check for the message on the DIC display. If the message is still displayed or appears again when you begin driving, the AWD system needs service. See your dealer.

SERVICE BATTERY CHARGING SYSTEM

This message displays when there is a problem with the generator and battery charging systems. Driving with this problem could drain the vehicle's battery. Turn off all unnecessary accessories. Stop and turn off the vehicle as soon as it is safe to do so. Have the electrical system checked by your dealer immediately.

Connecting a battery charger to your vehicle while the ignition is in any position other than LOCK may cause this message to appear. If you need to charge your vehicle, make sure that the key is in LOCK or out of the ignition during charging.

SERVICE BRAKE SYSTEM

This message displays and a chime sounds when the brake fluid level is low. The brake system warning light also appears on the instrument panel cluster when this message appears on the DIC. Refer to "Brake System Warning Light" in this section. Have the brake system serviced by your dealer as soon as possible.

SERVICE STABILITY CTRL (Control)

This message displays if there has been a problem detected with the Electronic Stability Control (ESC) system. A warning light also appears on the instrument panel cluster. Refer to "Traction Control System (TCS) Warning Light" in this section. Refer to "Electronic Stability Control" in "Your Driving, the Road, and Your Vehicle" in the

"Driving Your Vehicle" section for more information.

If this message turns on while you are driving, pull off the road as soon as possible and stop carefully. Try resetting the system by turning the ignition off and then back on. If this message still stays on or turns back on again while you are driving, your vehicle needs service. Have the ESC system inspected by your dealer as soon as possible.

SERVICE THEFT DETERRENT SYSTEM

This message displays when there is a problem with the theft-deterrent system. A fault has been detected in the system which means that the system is disabled and it is not protecting the vehicle. The vehicle usually restarts; however, you may want to take the vehicle to your dealer before turning off the engine. Refer to "PASS-Key® III+ Operation" in "Theft-Deterrent Systems" in the "Features and Controls" section for more information.

SERVICE TIRE MONITOR SYSTEM

This message displays if a part on the Tire Pressure Monitor (TPM) system is not working properly. If you drive your vehicle while any of the four sensors are missing or inoperable, the warning comes on in about 20 minutes. A sensor would be missing, for example, if you put different wheels on your vehicle without transferring the sensors. If the warning comes on and

INSTRUMENT PANEL

stays on, there may be a problem with the TPM. See your dealer.

SERVICE TRACTION CONTROL

This message displays when the Traction Control System (TCS) is not functioning properly. A warning light also appears on the instrument panel cluster. Refer to "Traction Control System (TCS) Warning Light" in this section and "Traction Control System (TCS)" in "Your Driving, the Road, and Your Vehicle" in the "Driving Your Vehicle" section for more information. Have the TCS serviced by your dealer as soon as possible.

SERVICE VEHICLE SOON

This message displays when a non-emissions related malfunction occurs. Have the vehicle serviced by your dealer as soon as possible.

STABILITY CTRL (Control) NOT READY

This message may display and a warning light on the instrument panel cluster may be on after first driving the vehicle and exceeding 30 mph (48 km/h) for 30 seconds. Refer to "Traction Control System (TCS) Warning Light" in this section. The Electronic Stability Control (ESC) system is not functional until the light has turned off. Refer to "Electronic Stability Control" in "Your Driving, the Road, and Your Vehicle" in the "Driving Your Vehicle" section for more information.

STABILITY CTRL (Control) OFF

This message displays any time the Electronic Stability Control (ESC) system turns off. When this message has been displayed, ESC is no longer available to assist you with directional control of the vehicle. Adjust your driving accordingly. Refer to "Electronic Stability Control" in "Your Driving, the Road, and Your Vehicle" in the "Driving Your Vehicle" section.

This message displays only while the ignition is in RUN.

Any of the following conditions may cause the ESC system to turn off:

- The ESC system is turned off by pressing and holding the traction control button. Refer to "Electronic Stability Control" in "Your Driving, the Road, and Your Vehicle" in the "Driving Your Vehicle" section for more information.
- The battery is low.
- There is an ESC system failure. See your dealer for service.

STARTING DISABLD (Disabled) SERVICE THRTTLE (Throttle)

This message displays if the starting of the engine is disabled due to the electronic throttle control system. Have your vehicle serviced by your dealer immediately.

This message only appears while the ignition is in RUN, and will not disappear until the problem is resolved.

This message cannot be acknowledged.

THEFT ATTEMPTED

This message displays if the content theft-deterrent system has detected a break-in attempt while you were away from your vehicle. Refer to "Content Theft-Deterrent" in "Theft-Deterrent Systems" in the "Features and Controls" section for more information.

TIRE LEARNING ACTIVE

This message displays when the Tire Pressure Monitor (TPM) system is re-learning the tire positions. Refer to "Tire Pressure Monitor System" in "Tires" in the "Service and Appearance Care" section. The tire positions must be re-learned after rotating the tires or after replacing a tire or sensor. Refer to "Tire Inspection and Rotation" and "Inflation - Tire Pressure" in "Tires" in the "Service and Appearance Care" section for more information.

TRACTION CONTROL OFF

This message displays when the Traction Control System (TCS) turns off. Refer to "Traction Control System (TCS)" in "Your Driving, the Road, and Your Vehicle" in the "Driving Your Vehicle" section for more information.

This message only displays while the ignition is in RUN and disappears after 10 seconds, unless it is acknowledged or an urgent warning appears.

Any of the following conditions may cause the TCS to turn off:

INSTRUMENT PANEL

- The TCS is turned off by pressing the traction control button. Refer to “Traction Control System (TCS)” in “Your Driving, the Road, and Your Vehicle” in the “Driving Your Vehicle” section for more information.
- The battery is low.
- There is a TCS failure. See your dealer for service.

TRACTION CONTROL ON

This message displays when the Traction Control System (TCS) turns on. Refer to “Traction Control System (TCS)” in “Your Driving, the Road, and Your Vehicle” in the “Driving Your Vehicle” section for more information.

TURN SIGNAL ON

This message displays as a reminder to turn off the turn signal if you drive your vehicle for more than about 0.75 mile (1.2 km) with a turn signal on. Refer to “Turn Signal/Multifunction Lever” in this section.

This message displays and a chime sounds only when the ignition is in RUN. The message will not disappear until the turn signal is manually turned off, or a turn is completed.

DIC Vehicle Personalization

Your vehicle has personalization capabilities that allow you to program certain features to one preferred setting.

All of the personalization options may not be available on your vehicle. Only the options available will be displayed on the DIC.

The default settings for the personalization features were set when your vehicle left the factory, but may have been changed from their default state since then.

The personalization preferences are automatically recalled.

To change personalization preferences, use the following procedure.

Entering the Feature Settings Menu

- 1) Turn the ignition on and place the vehicle in PARK (P).
To avoid excessive drain on the battery, it is recommended that the headlamps are turned off.
- 2) Press the vehicle information button until FEATURE SETTINGS PRESS ✓ TO SELECT appears on the DIC display.
- 3) Press the set/reset button to enter the feature settings menu.
If the menu is not available, FEATURE SETTINGS AVAILABLE IN PRK (Park) will display. Before entering the menu, make sure the vehicle is in PARK (P).

Feature Settings Menu Items

The following are personalization features that allow you to program settings to the vehicle:

DISPLAY ENGLISH

This feature will only display if a language other than English has been set. This feature allows you to change the language in which the DIC messages appear to English.

Press the vehicle information button until the PRESS ✓ TO DISPLAY ENGLISH screen appears on the DIC display. Press the set/reset button to display all DIC messages in English.

DISPLAY LANGUAGE

This feature allows you to select the language in which the DIC messages will appear.

Press the vehicle information button until DISPLAY LANGUAGE appears on the DIC display. Press the set/reset button to access the settings for this feature. Then press the vehicle information button to scroll through the following settings:

- ENGLISH (default):
All messages will appear in English.
- FRANCAIS (French):
All messages will appear in French.
- ESPANOL (Spanish):
All messages will appear in Spanish.

INSTRUMENT PANEL

- **NO CHANGE:**

No change will be made to this feature. The current setting will remain.

Choose one of the available settings and press the set/reset button while it is displayed on the DIC to select it.

- **AUTO LOCK**

This feature allows you to select when the vehicle's doors will automatically lock. Refer to "Programmable Automatic Door Locks" in "Doors and Locks" in the "Features and Controls" section for more information.

Press the vehicle information button until AUTO LOCK appears on the DIC display. Press the set/reset button to access the settings for this feature. Then press the vehicle information button to scroll through the following settings:

- **SHIFT OUT OF PARK (default):**
The vehicle's doors automatically lock when the doors are closed and the vehicle is shifted out of PARK (P).
- **AT VEHICLE SPEED:**
The vehicle's doors automatically lock when the vehicle speed is above 5 mph (8 km/h) for three seconds.
- **NO CHANGE:**
No change will be made to this feature. The current setting will remain.

Choose one of the available settings and press the set/reset button while it is displayed on the DIC to select it.

- **AUTO UNLOCK**

This feature allows you to select whether or not to turn off the automatic door unlocking feature. It also allows you to select which doors and when the doors will automatically unlock. Refer to "Programmable Automatic Door Locks" in "Doors and Locks" in the "Features and Controls" section for more information.

Press the vehicle information button until AUTO UNLOCK appears on the DIC display. Press the set/reset button to access the settings for this feature. Then press the vehicle information button to scroll through the following settings:

- **OFF:**
None of the doors will automatically unlock.
- **DRIVER AT KEY OUT:**
Only the driver's door will unlock when the key is taken out of the ignition.
- **DRIVER IN PARK:**
Only the driver's door will unlock when the vehicle is shifted into PARK (P).
- **ALL AT KEY OUT:**
All of the doors will unlock when the key is taken out of the ignition.
- **ALL IN PARK (default):**
All of the doors will unlock when the vehicle is shifted into PARK (P).
- **NO CHANGE:**
No change will be made to this feature. The current setting will remain.

Choose one of the available settings and press the set/reset button while it is displayed on the DIC to select it.

- **REMOTE LOCK**

This feature allows you to select the type of feedback you will receive when locking the vehicle with the Remote Keyless Entry (RKE) transmitter. You will not receive feedback when locking the vehicle with the RKE transmitter if any of the doors are open. Refer to "Remote Keyless Entry (RKE) System Operation" in "Keys" in the "Features and Controls" section for more information.

Press the vehicle information button until REMOTE LOCK appears on the DIC display. Press the set/reset button to access the settings for this feature. Then press the vehicle information button to scroll through the following settings:

- **OFF:**
There will be no feedback when you press the lock button on the RKE transmitter.
- **LIGHTS ONLY:**
The exterior lamps will flash when you press the lock button on the RKE transmitter.
- **HORN ONLY:**
The horn will sound on the second press of the lock button on the RKE transmitter.
- **HORN & LIGHTS (default):**
The exterior lamps will flash when you

INSTRUMENT PANEL

press the lock button on the RKE transmitter, and the horn will sound when the lock button is pressed again within five seconds of the previous command.

- **NO CHANGE:**
No change will be made to this feature. The current setting will remain.

Choose one of the available settings and press the set/reset button while it is displayed on the DIC to select it.

REMOTE UNLOCK

This feature allows you to select the type of feedback you will receive when unlocking the vehicle with the RKE transmitter. You will not receive feedback when unlocking the vehicle with the RKE transmitter if the doors are open. Refer to "Remote Keyless Entry (RKE) System Operation" in "Keys" in the "Features and Controls" section for more information.

Press the vehicle information button until REMOTE UNLOCK appears on the DIC display. Press the set/reset button to access the settings for this feature. Then press the vehicle information button to scroll through the following settings:

- **LIGHTS OFF:**
The exterior lamps will not flash when you press the unlock button on the RKE transmitter.
- **LIGHTS ON (default):**
The exterior lamps will flash when you press the unlock button on the RKE transmitter.

- **NO CHANGE:**
No change will be made to this feature. The current setting will remain.

Choose one of the available settings and press the set/reset button while it is displayed on the DIC to select it.

DELAY LOCK

This feature allows you to select whether or not the locking of the vehicle's doors will be delayed. The locking of the vehicle's doors is delayed for up to 10 seconds after a power door lock switch is pressed when a door is open, or after the lock button on the RKE transmitter is pressed while a door is open. The key must be out of the ignition for this feature to work. Refer to "Delayed Locking" in "Doors and Locks" in the "Features and Controls" section for more information.

Press the vehicle information button until DELAY LOCK appears on the DIC display. Press the set/reset button to access the settings for this feature. Then press the vehicle information button to scroll through the following settings:

- **OFF:**
There will be no delayed locking of the vehicle's doors.
- **ON (default):**
The locking of the vehicle's doors will be delayed by 10 seconds after a power door lock switch is pressed when a door is open, or the lock button on the RKE

transmitter is pressed while a door is open.

- **NO CHANGE:**
No change will be made to this feature. The current setting will remain.

Choose one of the available settings and press the set/reset button while it is displayed on the DIC to select it.

EXIT LIGHTING

If it is dark enough outside, this feature allows you to select the amount of time you want the exterior lamps to remain on. This happens after the key is turned from RUN to LOCK.

Press the vehicle information button until EXIT LIGHTING appears on the DIC display. Press the set/reset button to access the settings for this feature. Then press the vehicle information button to scroll through the following settings:

- **OFF:**
The exterior lamps will not turn on.
- **30 SECONDS (default):**
The exterior lamps will stay on for 30 seconds.
- **1 MINUTE:**
The exterior lamps will stay on for one minute.
- **2 MINUTES:**
The exterior lamps will stay on for two minutes.
- **NO CHANGE:**
No change will be made to this feature. The current setting will remain.

INSTRUMENT PANEL

Choose one of the available settings and press the set/reset button while it is displayed on the DIC to select it.

APPROACH LIGHTING

This feature allows you to select whether or not to have the exterior lights turn on briefly during low light periods after unlocking the vehicle using the RKE transmitter.

Press the vehicle information button until APPROACH LIGHTING appears on the DIC display. Press the set/reset button to access the settings for this feature. Then press the vehicle information button to scroll through the following settings:

- **OFF:**
The exterior lights will not turn on when you unlock the vehicle with the RKE transmitter.
- **ON (default):**
If it is dark enough outside, the exterior lights will turn on briefly when you unlock the vehicle with the RKE transmitter. The lights will remain on for 20 seconds or until the lock button on the RKE transmitter is pressed, or the vehicle is no longer off. Refer to “Remote Keyless Entry (RKE) System Operation” in “Keys” in the “Features and Controls” section for more information.
- **NO CHANGE:**
No change will be made to this feature. The current setting will remain.

Choose one of the available settings and press the set/reset button while it is displayed on the DIC to select it.

CHIME VOLUME

This feature allows you to select the volume level of the chime.

Press the vehicle information button until CHIME VOLUME appears on the DIC display. Press the set/reset button to access the settings for this feature. Then press the vehicle information button to scroll through the following settings:

- **NORMAL (default):**
The chime volume will be set to a normal level.
- **LOUD:**
The chime volume will be set to a loud level.
- **NO CHANGE:**
No change will be made to this feature. The current setting will remain.

Choose one of the available settings and press the set/reset button while it is displayed on the DIC to select it.

REMOTE START

If your vehicle has this feature, it allows you to turn the remote start off or on. The remote start feature allows you to start the engine from outside of the vehicle using your RKE transmitter. Refer to “Remote Vehicle Start” under “Remote Keyless Entry (RKE) System Operation” in “Keys”

in the “Features and Controls” section for more information.

Press the vehicle information button until REMOTE START appears on the DIC display. Press the set/reset button to access the settings for this feature. Then press the vehicle information button to scroll through the following settings:

- **OFF:**
The remote start feature will be disabled.
- **ON (default):**
The remote start feature will be enabled.
- **NO CHANGE:**
No change will be made to this feature. The current setting will remain.

Choose one of the available settings and press the set/reset button while it is displayed on the DIC to select it.

FACTORY SETTINGS

This feature allows you to set all of the personalization features back to their factory default settings.

Press the vehicle information button until FACTORY SETTINGS appears on the DIC display. Press the set/reset button to access the settings for this feature. Then press the vehicle information button to scroll through the following settings:

- **RESTORE ALL (default):**
The personalization features will be set to their factory default settings.

INSTRUMENT PANEL

- **DO NOT RESTORE:**

The personalization features will not be set to their factory default settings.

Choose one of the available settings and press the set/reset button while it is displayed on the DIC to select it.

EXIT FEATURE SETTINGS

This feature allows you to exit the feature settings menu.

Press the vehicle information button until **FEATURE SETTINGS PRESS ✓ TO EXIT** appears in the DIC display. Press the set/reset button to exit the menu.

If you do not exit, pressing the vehicle information button again will return you to the beginning of the vehicle information menu.

Exiting the Feature Settings Menu

The feature settings menu will be exited when any of the following occurs:

- The vehicle is shifted out of PARK (P).
- The vehicle is no longer in RUN.
- The trip/fuel DIC button is pressed.
- The end of the feature settings menu is reached and exited.
- A 40 second time period has elapsed with no selection made.

Audio System(s)

Determine which radio your vehicle has and then read the pages following to familiarize yourself with its features.

Driving without distraction is a necessity for a safer driving experience. Refer to "Defensive Driving" in "Your Driving, the Road, and Your Vehicle" in the "Driving Your Vehicle" section. By taking a few moments to read this manual and get familiar with your vehicle's audio system, you can use it with less effort, as well as take advantage of its features. While your vehicle is parked, set up your audio system by presetting your favorite radio stations, setting the tone and adjusting the speakers. Then, when driving conditions permit, you can tune to your favorite stations using the presets and steering wheel controls if the vehicle has them.

⚠ WARNING

This system provides you with a far greater access to audio stations and song listings. Giving extended attention to entertainment tasks while driving can cause a crash and you or others can be injured or killed. Always keep your eyes on the road and your mind on the drive – avoid engaging in extended searching while driving.

Keeping your mind on the drive is important for safe driving. Here are some ways in which you can help avoid distraction while driving.

While your vehicle is parked:

- Familiarize yourself with all of its controls.
- Familiarize yourself with its operation.
- Set up your audio system by presetting your favorite radio stations, setting the tone, and adjusting the speakers. Then, when driving conditions permit, you can tune to your favorite radio stations using the presets and steering wheel controls if the vehicle has them.

CAUTION

Before adding any sound equipment to your vehicle, such as an audio system, CD player, CB radio, mobile telephone, or two-way radio, make sure that it can be added by checking with your dealer. Also, check federal rules covering mobile radio and telephone units. If sound equipment can be added, it is very important to do it properly. Added sound equipment can interfere with the operation of your vehicle's engine, radio, or other systems, and even damage them. Your vehicle's systems can interfere with the operation of sound equipment that has been added.

INSTRUMENT PANEL

Your vehicle has a feature called Retained Accessory Power (RAP). With RAP, the audio system can be played even after the ignition is turned off. Refer to "Retained Accessory Power (RAP)" in "Starting and Operating Your Vehicle" in the "Features and Controls" section for more information.

Setting the Time (without date display)

If your vehicle has an AM/FM base radio with a single CD player and preset buttons numbered one through six, the radio will have a clock button for setting the time. You can set the time by following these steps:

- 1) Press the clock button until the hour numbers begin flashing on the display. Press the clock button a second time and the minute numbers will begin flashing on the display.
- 2) While either the hour or the minute numbers are flashing, turn the tune knob, located on the upper right side of the radio, clockwise or counterclockwise to increase or decrease the time. Instead of using the tune knob, you can also press the SEEK, FWD (forward), or REV (reverse) buttons to adjust the time.
- 3) Press the clock button again until the clock display stops flashing to set the currently displayed time; otherwise, the flashing will stop after five seconds and the current time displayed will be automatically set.

To change the time default setting from 12 hour to 24 hour, press the clock button and then the pushbutton located under the forward arrow label. Once the time 12H and 24H are displayed, press the pushbutton located under the desired option to select the default. Press the clock button again to apply the selected default, or let the screen time out.

Setting the Time (with date display)

If your vehicle has a radio with a single CD player or a CD with DVD player, the radio will have a clock button for setting the time and date.

To set the time and date, follow these instructions:

- 1) Turn the radio on.
- 2) Press the clock button and the HR, MIN, MM, DD, YYYY (hour, minute, month, day, and year) will appear on the display.
- 3) Press the pushbutton located under any one of the labels that you want to change. Every time the pushbutton is pressed again, the time or the date if selected, will increase by one.
 - Another way to increase the time or date, is to press the right SEEK arrow or FWD (forward) button.
 - To decrease, press the left SEEK arrow or REV (reverse) button. You can also turn the tune knob, located on the upper right side of the radio, to adjust the selected setting.

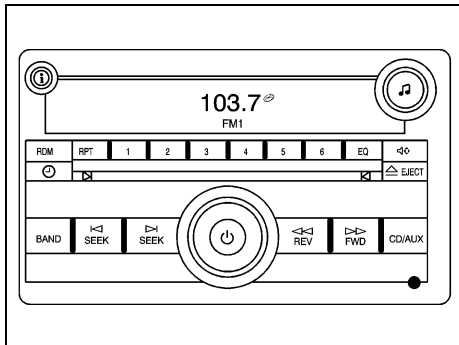
The date will not automatically display. The only way to see the date is by pressing the clock button when the radio is on. The date with display will time out after a few seconds and go back to the normal radio and time display.

To change the time default setting from 12 hour to 24 hour or to change the date default setting from month/day/year to day/month/year, follow these instructions:

- 1) Press the clock button and then the pushbutton located under the forward arrow label. Once the time 12H and 24H, and the date MM/DD/YYYY (month, day, and year) and DD/MM/YYYY (day, month, and year) are displayed.
- 2) Press the pushbutton located under the desired option.
- 3) Press the clock or MENU button again to apply the selected default, or let the screen time out.

INSTRUMENT PANEL

Radio with CD (Base)



1546915

Playing the Radio

(Power/Volume):

Press this knob to turn the system on and off.

Turn this knob clockwise or counterclockwise to increase or decrease the volume.

The radio remembers the previous volume setting whenever the radio is turned on. You can still manually adjust the volume by using the volume knob.

Finding a Station

BAND:

Press this button to switch between FM1, FM2 or AM. The display shows the selection.

(Tune):

Turn this knob to select radio stations.

SEEK :

Press the right or left SEEK arrow to go to the next or to the previous station and stay there.

To scan stations, press and hold either SEEK arrow for a few seconds until a beep sounds. The radio goes to a station, plays for a few seconds, then goes to the next station. Press either SEEK arrow again to stop scanning.

The radio only seeks and scans stations with a strong signal that are in the selected band.

(Information):

Press this button to switch the display between the radio station frequency and the time. When the ignition is off, press this button to display the time.

Setting Preset Stations

Up to 18 stations (six FM1, six FM2, and six AM), can be programmed on the six numbered pushbuttons, by performing the following steps:

- 1) Turn the radio on.
- 2) Press BAND to select FM1, FM2, or AM.
- 3) Tune in the desired station.
- 4) Press and hold one of the six numbered pushbuttons for three seconds until a beep sounds. Whenever that pushbutton is pressed and released, the station that was set, returns.
- 5) Repeat the Steps 2 through 4 for each pushbutton.

Setting the Tone (Bass/Treble)

EQ (Equalization):

To adjust the bass or treble, press the tune knob or EQ button until the desired tone control label appears on the display. Turn the tune knob clockwise or counterclockwise to increase or decrease the setting. You can also adjust the setting by pressing either the SEEK, FWD (forward), or REV (reverse) buttons. The display shows the current bass or treble level. If a station's frequency is weak, or if there is static, decrease the treble.

INSTRUMENT PANEL

Adjusting the Speakers (Balance/Fade)

BAL/FADE (Balance/Fade):

To adjust the balance or fade, press this button or the tune knob until the desired speaker control label appears on the display. Turn the tune knob clockwise or counterclockwise to adjust the setting. You can also adjust the setting by pressing either the SEEK, FWD, or REV buttons.

Radio Messages

Calibration Error:

The audio system has been calibrated for your vehicle from the factory. If Calibration Error appears on the display, it means that the radio has not been configured properly for your vehicle and it must be returned to your dealer for service.

Loc (Locked):

This message is displayed when the THEFTLOCK® system has locked up the radio. Take the vehicle to your dealer for service.

If any error occurs repeatedly or if an error cannot be corrected, contact your dealer.

Playing a CD

Insert a CD partway into the slot, label side up. The player pulls it in and the CD should begin playing.

If the ignition or radio is turned off with a CD in the player, it stays in the player. When the ignition or radio is turned on, the CD starts playing where it stopped, if it was the last selected audio source.

When a CD is inserted, the CD symbol appears on the radio display. As each new track starts to play, the track number appears on the display.

The CD player can play the smaller 3 inch (8 cm) single CDs with an adapter ring. Full-size CDs and the smaller CDs are loaded in the same manner.

If playing a CD-R, the sound quality may be reduced due to CD-R quality, the method of recording, the quality of the music that has been recorded, and the way the CD-R has been handled. There may be an increase in skipping, difficulty in finding tracks, and/or difficulty in loading and ejecting. If these problems occur, check the bottom surface of the CD. If the surface of the CD is damaged, such as cracked, broken, or scratched, the CD will not play properly. If the surface of the CD is soiled, refer to "Care of Your CDs and DVDs" in this section for more information.

If there is no apparent damage, try a known good CD.

Do not add any label to a CD. It could get caught in the CD player. If a CD is recorded on a personal computer and a description label is needed, try labeling the top of the recorded CD with a marking pen.

CAUTION

If a label is added to a CD, or more than one CD is inserted into the slot at a time, or an attempt is made to play scratched or damaged CDs, the CD player could be damaged. While using the CD player, use only CDs in good condition without any label, load one CD at a time, and keep the CD player and the loading slot free of foreign materials, liquids, and debris.

If an error appears on the display, see "CD Messages" later in this section.

EJECT:

Press the CD eject button to eject the CD. If the CD is not removed, after several seconds, the CD automatically pulls back into the player.

(Tune):

Turn this knob to select tracks on the CD currently playing.

SEEK :

Press the left SEEK arrow to go to the start of the current track, if more than ten seconds have played. Press the right SEEK arrow to go to the next track. If either SEEK

INSTRUMENT PANEL

arrow is held or pressed multiple times, the player continues moving backward or forward through the CD.

◀◀ **REV (Reverse):**

Press and hold this pushbutton to reverse playback quickly within a track. You will hear sound at a reduced volume. Release this pushbutton to resume playing the track. The elapsed time of the track appears on the display.

▶▶ **FWD (Fast Forward):**

Press and hold this pushbutton to advance playback quickly within a track. You will hear sound at a reduced volume. Release this pushbutton to resume playing the track. The elapsed time of the track appears on the display.

RDM (Random):

With random, you can listen to CD tracks in random, rather than sequential order. To use random, do the following:

- 1) Press this button to play tracks from the CD you are listening to in random order. The random icon appears on the display.
- 2) Press this button again to turn off random play. The random icon disappears from the display.

RPT (Repeat):

With repeat, one track can be repeated (played over and over). To use repeat, press and release the RPT button. An arrow symbol appears on the display.

Press RPT again to turn off repeat play. When repeat is off, the arrow symbol is no longer displayed.

i (Information):

Press this button to switch the display between the track number, elapsed time of the track, and the time. When the ignition is off, press this button to display the time.

BAND:

Press this button to listen to the radio when a CD is playing. The CD remains safely inside the radio for future listening.

CD/AUX (CD/Auxiliary):

Press this button to play a CD when listening to the radio. The CD icon and track number appears on the display when a CD is in the player. Press this button again and the system automatically searches for an auxiliary input device such as a portable audio player.

CD Messages

CHECK DISC:

If this message appears on the display and/or the CD comes out, it could be for one of the following reasons:

- It is very hot. When the temperature returns to normal, the CD should play.
- You are driving on a very rough road. When the road becomes smoother, the CD should play.
- The CD is dirty, scratched, wet, or upside down.

- The air is very humid. If so, wait about an hour and try again.
- There may have been a problem while burning the CD-R.
- The label may be caught in the CD player.

If the CD is not playing correctly, for any other reason, try a known good CD.

If any error occurs repeatedly or if an error cannot be corrected, contact your dealer. If the radio displays an error message, write it down and provide it to your dealer when reporting the problem.

Using the Auxiliary Input Jack

Your radio system has an auxiliary input jack located on the lower right side of the faceplate. This is not an audio output; do not plug the headphone set into the front auxiliary input jack. You can however, connect an external audio device such as an iPod, laptop computer, MP3 player, CD changer, or cassette tape player, etc. to the auxiliary input jack for use as another source for audio listening.

Drivers are encouraged to set up any auxiliary device while the vehicle is in park (P). Refer to "Defensive Driving" in "Your Driving, the Road, and Your Vehicle" in the "Driving Your Vehicle" for more information on driver distraction.

To use a portable audio player, connect a 3.5 mm (1/8 inch) cable to the radio's front auxiliary input jack. When a device is con-

INSTRUMENT PANEL

nected, press the radio CD/AUX button to begin playing audio from the device over the vehicle speakers.

(Power/Volume):

Turn this knob clockwise or counterclockwise to increase or decrease the volume of the portable player. You may need to do additional volume adjustments from the portable device if the volume does not go loud or soft enough.

BAND:

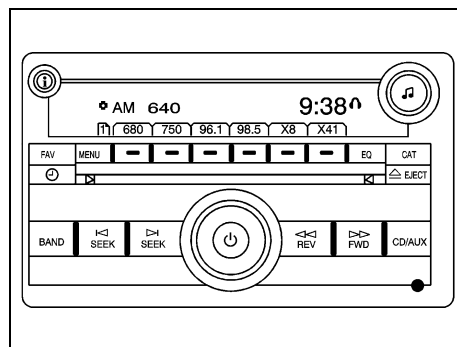
Press this button to listen to the radio when a portable audio device is playing. The portable audio device continues playing, so you may want to stop it or turn it off.

CD/AUX (CD/Auxiliary):

Press this button to play a CD when a portable audio device is playing.

Press this button again and the system begins playing audio from the connected portable audio player. If a portable audio player is not connected, "No Aux" displays.

Radio with CD (MP3)



1546891

Radio Data System (RDS)

The audio system has a Radio Data System (RDS). The RDS feature is available for use only on FM stations that broadcast RDS information. This system relies upon receiving specific information from these stations and only works when the information is available. While the radio is tuned to an FM-RDS station, the station name or call letters appear on the display. In rare cases, a radio station may broadcast incorrect information that causes the radio features to work improperly. If this happens, contact the radio station.

XM™ Satellite Radio Service

XM™ is a satellite radio service that is based in the 48 contiguous United States and Canada. XM™ offers a large variety of coast-to-coast channels including music, news, sports, talk, traffic/weather (U.S. subscribers), and children's programming. XM™ provides digital quality audio and text information that includes song title and artist name. A service fee is required in order to receive the XM™ service. For more information, contact XM™; In the U.S. at www.xmradio.com or call 1-800-852-XXXM (9696) or in Canada at www.xmradio.ca or call 1-877-GET-XMSR (438-9677).

Playing the Radio

(Power/Volume):

Press this knob to turn the system on and off.

Turn this knob clockwise or counterclockwise to increase or decrease the volume.

Speed Compensated Volume (SCV):

The radio is also equipped with Speed Compensated Volume (SCV). When SCV is on, the radio volume automatically adjusts to compensate for road and wind noise as you speed up or slow down while driving. That way, the volume level should sound about the same as you drive. To activate SCV:

- 1) Set the radio volume to the desired level.

INSTRUMENT PANEL

- 2) Press the MENU button to display the radio setup menu.
- 3) Press the pushbutton under the AUTO VOLUM label on the radio display.
- 4) Press the pushbutton under the desired Speed Compensated Volume setting (OFF, Low, Med, or High) to select the level of radio volume compensation. The display times out after approximately 10 seconds. Each higher setting allows for more radio volume compensation at faster vehicle speeds.

Finding a Station

BAND:

Press this button to switch between AM, FM, or XM™ (if equipped). The display shows the selection.

♪ (Tune):

Turn this knob to select radio stations.

◀ SEEK ▶ :

Press the right or left SEEK arrow to go to the next or to the previous station and stay there.

To scan stations, press and hold either SEEK arrow for a few seconds until a beep sounds. The radio goes to a station, plays for a few seconds, then goes to the next station. Press either SEEK arrow again to stop scanning.

The radio only seeks and scans stations with a strong signal that are in the selected band.

i (Information) (XM™ Satellite Radio Service, MP3, and RDS Features):

Press the information button to display additional text information related to the current FM-RDS or XM™ station, or MP3 song. A choice of additional information such as: Channel, Song, Artist, and CAT may appear. Continue pressing the information button to highlight the desired label, or press the pushbutton positioned under any one of the labels and the information about that label is displayed.

When information is not available, No Info displays.

Storing a Radio Station as a Favorite

Drivers are encouraged to set up their radio station favorites while the vehicle is parked. Tune to your favorite stations using the presets, favorites button, and steering wheel controls (if equipped). Refer to "Defensive Driving" in "Your Driving, the Road, and Your Vehicle" in the "Driving Your Vehicle" section.

FAV (Favorites):

A maximum of 36 stations can be programmed as favorites using the six pushbuttons positioned below the radio station frequency labels and by using the radio favorites page button (FAV button). Press the FAV button to go through up to six pages of favorites, each having six favorite stations available per page. Each page of favorites can contain any combination of AM, FM, or XM™ (if equipped) stations. To

store a station as a favorite, perform the following steps:

- 1) Tune to the desired radio station.
- 2) Press the FAV button to display the page where you want the station stored.
- 3) Press and hold one of the six pushbuttons until a beep sounds. Whenever that pushbutton is pressed and released, the station that was set, returns.
- 4) Repeat the steps for each pushbutton radio station you want stored as a favorite.

The number of favorites pages can be setup using the MENU button. To setup the number of favorites pages, perform the following steps:

- 1) Press the MENU button to display the radio setup menu.
- 2) Press the pushbutton located below the FAV 1-6 label.
- 3) Select the desired number of favorites pages by pressing the pushbutton located below the displayed page numbers.
- 4) Press the FAV button, or let the menu time out, to return to the original main radio screen showing the radio station frequency labels and to begin the process of programming your favorites for the chosen amount of numbered pages.

Setting the Tone (Bass/Midrange/Treble)

BASS/MID/TREB (Bass, Midrange, or Treble):

To adjust bass, midrange, or treble, press the tune knob until the tone control labels appear on the display. Continue pressing to highlight the desired label, or press the pushbutton positioned under the desired label. Turn the tune knob clockwise or counterclockwise to adjust the highlighted setting. You can also adjust the highlighted setting by pressing either the SEEK, FWD (forward), or REV (reverse) button until the desired levels are obtained. If a station's frequency is weak, or if there is static, decrease the treble.

To quickly adjust bass, midrange, or treble to the middle position, press the pushbutton positioned under the BASS, MID, or TREB label for more than two seconds. A beep sounds and the level adjusts to the middle position.

To quickly adjust all tone and speaker controls to the middle position, press the tune knob for more than two seconds until a beep sounds.

EQ (Equalization):

Press this button to select preset equalization settings.

To return to the manual mode, press the EQ button until Manual displays or start to

manually adjust the bass, midrange, or treble by pressing the tune knob.

Adjusting the Speakers (Balance/Fade)

BAL/FADE (Balance/Fade):

To adjust balance or fade, press the tune knob until the speaker control labels appear on the display. Continue pressing to highlight the desired label, or press the pushbutton positioned under the desired label. Turn the tune knob clockwise or counterclockwise to adjust the highlighted setting. You can also adjust the highlighted setting by pressing either the SEEK, FWD, or REV button until the desired levels are obtained.

To quickly adjust balance or fade to the middle position, press the pushbutton positioned under the BAL or FADE label for more than two seconds. You will hear a beep and the level will be adjusted to the middle position.

To quickly adjust all speaker and tone controls to the middle position, press the tune knob for more than two seconds until a beep sounds.

Finding a Category (CAT) Station

CAT (Category):

The CAT button is used to find XM™ stations when the radio is in the XM™ mode. To find XM™ channels within a desired category, perform the following:

- 1) Press the BAND button until the XM™ frequency is displayed. Press the CAT button to display the category labels on the radio display. Continue pressing the CAT button until the desired category name is displayed.
- 2) Press either of the two buttons below the desired category label to immediately tune to the first XM™ station associated with that category.
- 3) Turn the tune knob, press the buttons below the right or left arrows displayed, or press the right or left SEEK buttons to go to the next or previous XM™ station within the selected category.
- 4) To exit the category search mode, press the FAV button or BAND button to display your favorites again.

Undesired XM™ categories can be removed through the setup menu. To remove an undesired category, perform the following:

- 1) Press the MENU button to display the radio setup menu.
- 2) Press the pushbutton located below the XM CAT label.
- 3) Turn the tune knob to display the category you want removed.
- 4) Press the pushbutton located under the Remove label until the category name along with the word Removed displays.
- 5) Repeat the steps to remove more categories.

INSTRUMENT PANEL

Removed categories can be restored by pressing the pushbutton under the Add label when a removed category is displayed or by pressing the pushbutton under the Restore All label.

The radio does not allow you to remove or add categories while the vehicle is moving faster than 5 mph (8 km/h).

Radio Messages

Calibration Error:

The audio system has been calibrated for your vehicle from the factory. If Calibration Error displays, it means that the radio has not been configured properly for your vehicle and it must be returned to your dealer for service.

Locked:

This message is displayed when the THEFTLOCK® system has locked up the radio. Take the vehicle to your dealer for service.

If any error occurs repeatedly or if an error cannot be corrected, contact your dealer.

Radio Messages for XM Only

Refer to "XM Radio Messages" in this section later in this section for further detail.

Playing a CD

Insert a CD partway into the slot, label side up. The player pulls it in and the CD should begin playing.

If the ignition or radio is turned off, with a CD in the player, it stays in the player. When the ignition or radio is turned on, the CD starts playing where it stopped, if it was the last selected audio source.

When a CD is inserted, the CD symbol appears on the CD. As each new track starts to play, the track number appears on the display.

The CD player can play the smaller 3 inch (8 cm) single CDs with an adapter ring. Full-size CDs and the smaller CDs are loaded in the same manner.

If playing a CD-R, the sound quality may be reduced due to CD-R quality, the method of recording, the quality of the music that has been recorded, and the way the CD-R has been handled. There may be an increase in skipping, difficulty in finding tracks, and/or difficulty in loading and ejecting. If these problems occur, check the bottom surface of the CD. If the surface of the CD is damaged, such as cracked, broken, or scratched, the CD will not play properly. If the surface of the CD is soiled, refer to "Care of Your CDs and DVDs" in this section for more information.

If there is no apparent damage, try a known good CD.

Do not add any label to a CD. It could get caught in the CD player. If a CD is recorded on a personal computer and a description label is needed, try labeling the top of the recorded CD with a marking pen.

CAUTION

If a label is added to a CD, or more than one CD is inserted into the slot at a time, or an attempt is made to play scratched or damaged CDs, the CD player could be damaged. While using the CD player, use only CDs in good condition without any label, load one CD at a time, and keep the CD player and the loading slot free of foreign materials, liquids, and debris.

If an error appears on the display, see "CD Messages" later in this section.

△ EJECT:

Press the CD eject button to eject CD(s). To eject the CD that is currently playing, press and release this button. A beep sounds and Ejecting Disc displays. Once the disc is ejected, Remove Disc displays. The CD can be removed. If the CD is not removed, after several seconds, the CD automatically pulls back into the player and begins playing.

♪ (Tune):

Turn this knob to select tracks on the CD currently playing.

INSTRUMENT PANEL

◀ SEEK ▶ :

Press the left SEEK arrow to go to the start of the current track, if more than ten seconds have played. Press the right SEEK arrow to go to the next track. If either SEEK arrow is held, or pressed multiple times, the player continues moving backward or forward through the tracks on the CD.

◀◀ REV (Reverse):

Press and hold this button to reverse playback quickly within a track. You will hear sound at a reduced volume. Release this pushbutton to resume playing the track. The elapsed time of the track appears on the display.

▶▶ FWD (Fast Forward):

Press and hold this button to advance playback quickly within a track. You will hear sound at a reduced volume. Release this button to resume playing the track. The elapsed time of the track appears on the display.

RDM (Random):

With random, you can listen to the tracks in random, rather than sequential order. To use random, press the CD/AUX button, insert a disc partway into the slot of the CD player. A RDM label appears on display. Press the pushbutton positioned under the RDM label until Random Current Disc displays. Press the pushbutton again to turn off random play.

BAND:

Press this button to listen to the radio when a CD is playing. The CD remains safely inside the radio for future listening.

CD/AUX (CD/Auxiliary):

Press this button to play a CD when listening to the radio. The CD icon and a message showing disc and/or track number appears on the display when a CD is in the player. Press this button again and the system automatically searches for an auxiliary input device, such as a portable audio player. If a portable audio player is not connected, "No Input Device Found" displays.

Playing an MP3/WMA CD-R or CD-RW Disc

If you have a radio with a CD (MP3), it has the capability of playing an MP3/WMA CD-R or CD-RW disc. For more information on how to play an MP3/WMA CD-R or CD-RW disc, refer to "Using an MP3" in the index.

CD Messages

CHECK DISC:

If this message appears on the display and/or the CD comes out, it could be for one of the following reasons:

- It is very hot. When the temperature returns to normal, the CD should play.
- You are driving on a very rough road. When the road becomes smoother, the CD should play.

- The CD is dirty, scratched, wet, or upside down.
- The air is very humid. If so, wait about an hour and try again.
- There may have been a problem while burning the CD.
- The label may be caught in the CD player.

If the CD is not playing correctly, for any other reason, try a known good CD.

If any error occurs repeatedly or if an error cannot be corrected, contact your dealer. If the radio displays an error message, write it down and provide it to your dealer when reporting the problem.

Using the Auxiliary Input Jack

Your radio system has an auxiliary input jack located on the lower right side of the faceplate. This is not an audio output; do not plug the headphone set into the front auxiliary input jack. You can however, connect an external audio device such as an iPod, laptop computer, MP3 player, CD changer, or cassette tape player, etc. to the auxiliary input jack for use as another source for audio listening.

Drivers are encouraged to set up any auxiliary device while the vehicle is in park (P). Refer to "Defensive Driving" in "Your Driving, the Road, and Your Vehicle" in the "Driving Your Vehicle" section for more information on driver distraction.

INSTRUMENT PANEL

To use a portable audio player, connect a 3.5 mm (1/8 inch) cable to the radio's front auxiliary input jack. When a device is connected, press the radio CD/AUX button to begin playing audio from the device over the vehicle speakers.

(Power/Volume):

Turn this knob clockwise or counterclockwise to increase or decrease the volume of the portable player. You may need to do additional volume adjustments from the portable device if the volume does not go loud or soft enough.

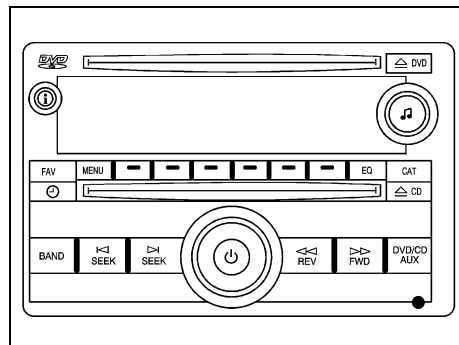
BAND:

Press this button to listen to the radio when a portable audio device is playing. The portable audio device continues playing, so you may want to stop it or power it off.

CD/AUX (CD/Auxiliary):

Press this button to play a CD when a portable audio device is playing. Press this button again and the system begins playing audio from the connected portable audio player. If a portable audio player is not connected, "No Input Device Found" displays.

Radio with CD and DVD (MP3)



If your vehicle has a Rear Seat Entertainment (RSE) system, it has a CD/DVD radio. Refer to "Rear Seat Entertainment System" in this section for more information on the vehicle's RSE system.

The DVD player is the top slot on the radio faceplate. The player is capable of reading the DTS programmed DVD Audio or DVD Video media, (DTS and DTS 2.0 are trademarks of Digital Theater Systems Inc.). Dolby® is manufactured under license from Dolby® Laboratories. Dolby® and the double-D symbol are trademarks of Dolby® Laboratories.

Radio Data System (RDS)

The audio system has a Radio Data System (RDS). The RDS feature is available for use only on FM stations that broadcast RDS information. This system relies upon receiving specific information from these stations and only works when the information is available. While the radio is tuned to an FM-RDS station, the station name or call letters display. In rare cases, a radio station could broadcast incorrect information that causes the radio features to work improperly. If this happens, contact the radio station.

XM™ Satellite Radio Service

XM™ is a satellite radio service that is based in the 48 contiguous United States and Canada. XM™ offers a large variety of coast-to-coast channels including music, news, sports, talk, traffic/weather (U.S. subscribers), and children's programming. XM™ provides digital quality audio and text information that includes song title and artist name. A service fee is required in order to receive the XM™ service. For more information, contact XM™; In the U.S. at www.xmradio.com or call 1-800-852-XXXM (9696) or in Canada at www.xmradio.ca or call 1-877-GET-XMSR (438-9677).

INSTRUMENT PANEL

Playing the Radio

(Power/Volume):

Press this knob to turn the system on and off.

Turn this knob clockwise or counterclockwise to increase or decrease the volume.

Speed Compensated Volume (SCV):

The radio has Speed Compensated Volume (SCV). While SCV is on, the radio volume automatically adjusts to compensate for road and wind noise as driving speed changes. That way, the volume level should sound about the same as you drive. To activate SCV:

- 1) Set the radio volume to the desired level.
- 2) Press the MENU button to display the radio setup menu.
- 3) Press the pushbutton under the AUTO VOLUM (volume) label on the radio display.
- 4) Press the pushbutton under the desired SCV setting (OFF, Low, Med (medium), or High) to select the level of radio volume compensation. The display times out after approximately 10 seconds. Each higher setting allows for more radio volume compensation at faster vehicle speeds.

Finding a Station

BAND:

Press this button to switch between AM, FM, or XM™ (if equipped). The display shows the selection.

(Tune):

Turn this knob to select radio stations.

◀ SEEK ▶ :

Press the left or right SEEK arrow to go to the next or to the previous station and stay there.

To scan stations, press and hold either SEEK arrow for a few seconds until a beep sounds. The radio goes to a station, plays for a few seconds, then goes to the next station. Press either SEEK arrow again to stop scanning.

The radio seeks and scans stations only with a strong signal that are in the selected band.

(Information) (XM™ Satellite Radio Service, MP3, and RDS Features):

Press the information button to display additional text information related to the current FM-RDS or XM™ station, or MP3 song. A choice of additional information such as: Channel, Song, Artist, and CAT (category) could appear. Continue pressing the information button to highlight the desired label, or press the pushbutton positioned under any one of the labels and the information about that label is displayed.

When information is not available, No Info displays.

Storing a Radio Station as a Favorite

Drivers are encouraged to set up their radio station favorites while the vehicle is parked. Tune to your favorite stations using the presets, favorites button, and steering wheel controls, if the vehicle has them. Refer to "Defensive Driving" in "Your Driving, the Road, and Your Vehicle" in the "Driving Your Vehicle" section.

FAV (Favorites):

A maximum of 36 stations can be programmed as favorites using the six pushbuttons positioned below the radio station frequency labels and by using the radio favorites page button (FAV button). Press the FAV button to go through up to six pages of favorites, each having six favorite stations available per page. Each page of favorites can contain any combination of AM, FM, or XM™ (if equipped) stations. To store a station as a favorite, perform the following steps:

- 1) Tune to the desired radio station.
- 2) Press the FAV button to display the page where you want the station stored.
- 3) Press and hold one of the six pushbuttons until a beep sounds. Whenever that pushbutton is pressed and released, the station that was set, returns.

INSTRUMENT PANEL

- 4) Repeat the steps for each pushbutton radio station you want stored as a favorite.

The number of favorites pages can be setup using the MENU button. To setup the number of favorites pages, perform the following steps:

- 1) Press the MENU button to display the radio setup menu.
- 2) Press the pushbutton located below the FAV 1-6 label.
- 3) Select the desired number of favorites pages by pressing the pushbutton located below the displayed page numbers.
- 4) Press the FAV button, or let the menu time out, to return to the original main radio screen showing the radio station frequency labels and to begin the process of programming your favorites for the chosen amount of numbered pages.

Setting the Tone (Bass/Midrange/Treble)

BASS/MID/TREB (Bass, Midrange, or Treble):

To adjust bass, midrange, or treble, press the tune knob until the tone control labels display. Continue pressing to highlight the desired label, or press the pushbutton positioned under the desired label. Turn the tune knob clockwise or counterclockwise to adjust the highlighted setting. If a station's frequency is weak or if there is static, decrease the treble.

To quickly adjust bass, midrange, or treble to the middle position, press the pushbutton positioned under the BASS, MID, or TREB label for more than two seconds. A beep sounds and the level adjusts to the middle position.

To quickly adjust all tone and speaker controls to the middle position, press the tune knob for more than two seconds until a beep sounds.

EQ (Equalization):

Press this button to choose bass and treble equalization settings designed for different types of music. The choices are pop, rock, country, talk, jazz, and classical. Selecting MANUAL or changing bass or treble, returns the EQ to the manual bass and treble settings.

Unique EQ settings can be saved for each source.

If the radio has a Bose® audio system, the EQ settings are either MANUAL or TALK.

Adjusting the Speakers (Balance/Fade)

BAL/FADE (Balance/Fade):

To adjust balance or fade, press the tune knob until the speaker control labels display. Press the pushbutton positioned under the desired label. Turn the tune knob clockwise or counterclockwise to adjust the highlighted setting. The highlighted setting can also be adjusted by pressing either the SEEK, FWD (forward), or REV (reverse) button until the desired levels are obtained.

To quickly adjust balance or fade to the middle position, press the pushbutton positioned under the BAL or FADE label for more than two seconds. A beep sounds and the level adjusts to the middle position.

To quickly adjust both the balance and fade to the middle position at one time, press the tune knob for more than two seconds until a beep sounds.

Finding a Category (CAT) Station

CAT (Category):

The CAT button is used to find XM™ stations when the radio is in the XM™ mode. To find XM™ channels within a desired category, perform the following:

- 1) Press the BAND button until the XM™ frequency displays. Press the CAT button to display the category labels on the radio display. Continue pressing the CAT button until the desired category name is displayed. Another way to navigate the category list is to press the REV button or the FWD button.
- 2) Press either of the two buttons below the desired category label to immediately tune to the first XM™ station associated with that category.
- 3) Turn the tune knob, press the buttons below the right or left arrows displayed, or press the right or left SEEK buttons to go to the next or previous XM™ station within the selected category.
- 4) To exit the category search mode, press the FAV button or BAND button to display your favorites again.

Undesired XM™ categories can be removed through the setup menu. To remove an undesired category, perform the following:

- 1) Press the MENU button to display the radio setup menu.

- 2) Press the pushbutton located below the XM CAT label.
- 3) Turn the tune knob to display the category you want removed.
- 4) Press the pushbutton located under the Remove label until the category name along with the word Removed displays.
- 5) Repeat the steps to remove more categories.

Removed categories can be restored by pressing the pushbutton under the Add label when a removed category displays or by pressing the pushbutton under the Restore All label.

Categories cannot be removed or added while the vehicle is moving faster than 5 mph (8 km/h).

Radio Messages

Calibration Error:

The audio system has been calibrated for your vehicle from the factory. If Calibration Error displays, it means that the radio has not been configured properly for your vehicle and it must be returned to your dealer for service.

Locked:

This message displays when the THEFT-LOCK® system has locked up the radio. Take the vehicle to your dealer for service.

If any error occurs repeatedly or if an error cannot be corrected, contact your dealer.

Radio Messages for XM™ Only

Refer to "XM Radio Messages" in this section later in this section for further detail.

Playing a CD (in either the DVD or CD slot)

Insert a CD partway into the slot, label side up. The player pulls it in and the CD should begin playing (loading a disc into the system, depending on media type and format ranges from 5 to 20 seconds for a CD, and up to 30 seconds for a DVD to begin playing).

If the ignition or radio is turned off, with a CD in the player, it stays in the player. When the ignition or radio is turned on, the CD starts playing where it stopped, if it was the last selected audio source. The CD is controlled by the buttons on the radio faceplate. The DVD/CD decks, (upper slot is the DVD deck and the lower slot is the CD deck) of the radio are compatible with most audio CDs, CD-R, CD-RW, and MP3s.

When a CD is inserted, the text label DVD or CD symbol appears on the left side of the radio display. As each new track starts to play, the track number appears on the display.

The CD player can play the smaller 3 inch (8 cm) single CDs with an adapter ring. Full-size CDs and the smaller CDs are loaded in the same manner.

If playing a CD-R, the sound quality can be reduced due to CD-R quality, the method

INSTRUMENT PANEL

of recording, the quality of the music that has been recorded, and the way the CD-R has been handled. There can be an increase in skipping, difficulty in finding tracks, and/or difficulty in loading and ejecting. If these problems occur, check the bottom surface of the CD. If the surface of the CD is damaged, such as cracked, broken, or scratched, the CD will not play properly. If the surface of the CD is soiled, refer to "Care of Your CDs and DVDs" in this section for more information.

If there is no apparent damage, try a known good CD.

CAUTION

If a label is added to a CD, or more than one CD is inserted into the slot at a time, or an attempt is made to play scratched or damaged CDs, the CD player could be damaged. While using the CD player, use only CDs in good condition without any label, load one CD at a time, and keep the CD player and the loading slot free of foreign materials, liquids, and debris.

Do not add any label to a CD. It could get caught in the CD player. If a CD is recorded on a personal computer and a description label is needed, try labeling the top of the recorded CD with a marking pen.

If an error displays, see "CD Messages" later in this section.

CD (Eject):

Press and release the CD eject button to eject the CD that is currently playing in the bottom slot. A beep sounds and Ejecting Disc displays. Once the disc is ejected, Remove Disc displays. The CD can be removed. If the CD is not removed, after several seconds, the CD automatically pulls back into the player.

If loading and reading of a CD cannot be completed, such as unknown format, etc., and the disc fails to eject, press and hold the DVD eject button for more than five seconds to force the disc to eject.

DVD (Eject):

Press and release the DVD eject button to eject the CD that is currently playing in the bottom slot. A beep sounds and Ejecting Disc displays. Once the disc is ejected, Remove Disc displays. The CD can be removed. If the CD is not removed, after several seconds, the CD automatically pulls back into the player.

If loading and reading of a CD cannot be completed, such as unknown format, etc., and the disc fails to eject, press and hold the DVD eject button for more than five seconds to force the disc to eject.

(Tune):

Turn this knob to select tracks on the CD that is currently playing.

SEEK :

Press the left SEEK arrow to go to the start of the current track, if more than five seconds on the CD have played. If less than five seconds on the CD have played, the previous track plays. Press the right SEEK arrow to go to the next track. If either SEEK arrow is held, or pressed multiple times, the player continues moving backward or forward through the tracks on the CD.

REV (Reverse):

Press and hold this button to reverse playback quickly within a track. Sound is heard at a reduced volume. Release this pushbutton to resume playing the track. The elapsed time of the track displays.

FWD (Fast Forward):

Press and hold this button to advance playback quickly within a track. Sound is heard at a reduced volume. Release this button to resume playing the track. The elapsed time of the track displays.

RDM (Random):

With random, tracks can be listened to in random, rather than sequential order. To play the tracks from the CD, press the DVD/CD AUX button when not sourced to the CD, or insert a disc partway into the slot. A RDM label displays. Press the pushbutton positioned under the RDM label until Random Current Disc displays. Press the pushbutton again to turn off random play.

INSTRUMENT PANEL

BAND:

Press this button to listen to the radio when a CD or DVD is playing. The CD or DVD remains inside the radio for future listening or for viewing entertainment.

DVD/CD AUX (Auxiliary):

Press this button to cycle through DVD, CD, or Auxiliary when listening to the radio. The DVD/CD text label and a message showing the track or chapter number displays when a disc is in either slot. Press this button again and the system automatically searches for an auxiliary input device, such as a portable audio player. If a portable audio player is not connected, "No Aux Input Device" displays. If a disc is in both the DVD slot and the CD slot the DVD/CD AUX button cycles between the two sources and not indicate "No Aux Input Device". If a front auxiliary device is connected, the DVD/CD AUX button cycles through all available options, such as: DVD slot, CD slot, Front Auxiliary, and Rear Auxiliary (if available). Refer to "Using the Auxiliary Input Jack(s)" later in this section, or "Audio/Video (A/V) Jacks" under, "Rear Seat Entertainment System" in this section for more information.

If a disc is inserted into top DVD slot, the rear seat operator can turn on the video screen and use the remote control to navigate the CD (tracks only) through the remote control.

Audio Output

Only one audio source can be heard through the speakers at one time. An audio source is defined as DVD slot, CD slot, XM™, FM/AM, Front Auxiliary Jack, or Rear Auxiliary Jack.

Press the power button to turn the radio on. The radio can be heard through all of the vehicle speakers.

Front seat passengers can listen to the radio (AM, FM, or XM) by pressing the BAND button or the DVD/CD AUX button to select CD slot, DVD slot, front or rear auxiliary input (if available).

If a playback device is plugged into the radio's front auxiliary input jack or the rear auxiliary jack, the front seat passengers are able to listen to playback from this source through the vehicle speakers. Refer to "Using the Auxiliary Input Jack(s)" later in this section, or "Audio/Video (A/V) Jacks" under, "Rear Seat Entertainment System" in this section for more information.

Playing an MP3/WMA CD-R or CD-RW Disc

A radio with CD and DVD has the capability of playing an MP3/WMA CD-R or CD-RW disc. For more information on how to play an MP3/WMA CD-R or CD-RW disc, refer to "Using an MP3" in the index.

CD Messages

If these messages displays and/or the CD comes out, it could be for one of the following reasons:

Optical Error:

The disc was inserted upside down.

Disk Read Error:

A disc was inserted with an invalid or unknown format.

Player Error:

There are disc LOAD or disc EJECT problems.

- It is very hot. When the temperature returns to normal, the CD should play.
- You are driving on a very rough road. When the road becomes smoother, the CD should play.
- The CD is dirty, scratched, wet, or upside down.
- The air is very humid. If so, wait about an hour and try again.
- There could have been a problem while burning the CD.
- The label could be caught in the CD player.

If the CD is not playing correctly, for any other reason, try a known good CD.

If any error occurs repeatedly or if an error cannot be corrected, contact your dealer. If the radio displays an error message, write it down and provide it to your dealer when reporting the problem.

INSTRUMENT PANEL

Using the DVD Player

The DVD player is controlled by the buttons on the remote control or by the buttons on the radio faceplate. Refer to "Remote Control", under "Rear Seat Entertainment System" in this section for more information.

The DVD player is only compatible with DVDs of the appropriate region code that is printed on the jacket of most DVDs.

The DVD slot of the radio is compatible with most audio CDs, CD-R, CD-RW, DVD-Video, DVD-Audio, DVD-R/RW, DVD+R/RW media along with MP3 and WMA formats.

If an error message appears on the video screen or the radio, refer to "DVD Display Error Messages" under, "Rear Seat Entertainment System" in this section and "DVD Radio Error Messages" in this section for more information.

Playing a DVD

DVD/CD AUX (Auxiliary):

Press this button to cycle through DVD, CD, or Auxiliary when listening to the radio. The DVD/CD text label and a message showing track or chapter number displays when a disc is in either slot.

Press this button again and the system automatically searches for an auxiliary input device, such as a portable audio player. If a portable audio player is not connected, "No Aux Input Device" displays. If a

disc is in both the DVD slot and the CD slot the DVD/CD AUX button cycles between the two sources and not indicate "No Aux Input Device". If a front auxiliary device is connected, the DVD/CD AUX button cycles through all available options, such as: DVD slot, CD slot, Front Auxiliary, and Rear Auxiliary (if available). Refer to "Using the Auxiliary Input Jack(s)" later in this section, or "Audio/Video (A/V) Jacks" under, "Rear Seat Entertainment System" in this section for more information.

⏻ (Power):

Press this knob to turn the radio on or off. Turn this knob clockwise or counterclockwise to increase or decrease the volume. Press and hold the knob for more than two seconds to turn off the entire radio and Rear Seat Entertainment (RSE) system and to start the parental control feature. Parental control prevents the rear seat occupant from operating the remote control.

A lock symbol appears next to the clock display. The parental control feature remains on until this button is pressed and held for more than two seconds again, or until the driver turns the ignition off and exits the vehicle.

🎵 (Tune):

Turn this knob to change tracks on a CD or DVD, to manually tune a radio station, or to change clock or date settings, while in the clock or date setting mode. See the infor-

mation given earlier in this section specific to the radio, CD, and the DVD. Also, refer to "Setting the Time" in the index, for setting the clock and date.

⏮ SEEK (Previous Track/Chapter):

Press this button to return to the start of the current track or chapter. Press this button again to go to the previous track or chapter. This button might not work when the DVD is playing the copyright information or the previews.

SEEK ⏭ (Next Track/Chapter):

Press this button to go to the next track or chapter. This button might not work when the DVD is playing the copyright information or the previews.

⏪ REV (Reverse):

Press this button to quickly reverse the CD or DVD at five times the normal speed. The radio displays the elapsed time while in fast reverse. To stop fast reversing, press this button again. This button might not work when the DVD is playing the copyright information or the previews.

⏩ FWD (Fast Forward):

Press this button to fast forward the CD or DVD. The radio displays the elapsed time and fast forwards five times the normal speed. To stop fast forwarding, press this button again. This button might not work when the DVD is playing the copyright information or the previews.

INSTRUMENT PANEL

(Eject):

Press this button to eject a CD or DVD. If a CD or DVD is ejected, but not removed, the player automatically pulls it back in after 15 seconds.

If loading and reading of a CD cannot be completed, because of an unknown format, etc., and the disc fails to eject, press and hold the CD eject button for more than five seconds to force the disc to eject.

DVD-V (Video) Display Buttons

Once a DVD-V is inserted, the radio display menu shows several tag options for DVD playing. Press the pushbuttons located under any desired tag option during DVD playback. See the tag options listed below for more information.

The rear seat passenger can navigate the DVD-V menus and controls through the remote control. Refer to "Remote Control", under "Rear Seat Entertainment System" in this section for more information. The Video Screen automatically turns on when the DVD-V is inserted into the DVD slot.

(Play/Pause):

Press either the play or pause icon displays on the radio system, to toggle between pausing or restarting playback of a DVD. If the forward arrow is showing on display, the system is in pause mode. If the pause icon is showing on display, the system is in playback mode. If the DVD screen is off, press the play button to turn the screen on.

Some DVDs begin playing after the previews have finished, although there might be a delay of up to 30 seconds. If the DVD does not begin playing the movie automatically, press the pushbutton located under the play/pause symbol tag displayed on the radio. If the DVD still does not play, refer to the on-screen instructions, if available.

(Stop):

Press this button to stop playing, rewinding, or fast forwarding a DVD.

(Enter):

Press this button to select the choices that are highlighted in any menu.

(Menu):

Press this button to access the DVD menu. The DVD menu is different on every DVD. Use the pushbuttons located under the navigation arrows to navigate the cursor through the DVD menu. After making a selection press the enter button. This button only operates when using a DVD.

Nav (Navigate):

Press this button to display directional arrows for navigating through the menus.

(Return):

Press this button to exit the current active menu and return to the previous menu. This button operates only when a DVD is playing and a menu is active.

DVD-A (Audio) Display Buttons

Once a DVD-A is inserted, radio display menu shows several tag options for DVD playing. Press the pushbuttons located under any desired tag option during DVD playback. See the tag options listed below for more information. The rear seat operator can navigate the DVD-A menus and controls through the remote control. Refer to "Remote Control", under "Rear Seat Entertainment System" in this section for more information. The Video Screen does not automatically power on when the DVD-A is inserted into the DVD slot. It must be manually turned on by the rear seat occupant through the remote control power button.

(Play/Pause):

Press either the play or pause icon displays on the radio system, to toggle between pausing or restarting playback of a DVD. If the forward arrow is showing on display, the system is in pause mode. If the pause icon is showing on display, the system is in playback mode.

:

Press this button to cycle through musical groupings on the DVD-A disc.

Nav (Navigate):

Press this button to display directional arrows for navigating through the menus.

(Audio Stream):

Press this button to cycle through audio stream formats located on the DVD-A disc.

INSTRUMENT PANEL

There is not any type of notification for the customer to see through the radio display, but VSM has a text field that shows audio stream changing.

Inserting a Disc

To play a disc, gently insert the disc, with the label side up, into the loading slot. The DVD player might not accept some paper labeled media. The player starts loading the disc into the system and show "Loading Disc" on the radio display. At the same time, the radio displays a softkey menu of option(s). Some discs automatically play the movie while others default to the softkey menu display, which requires the Play, Enter, or Navigation softkeys to be pressed; either by softkey or by the rear seat passenger using the remote control. Loading a disc into the system, depending on media type and format, ranges from 5 to 20 seconds for a CD, and up to 30 seconds for a DVD.

Stopping and Resuming Playback

To stop playing a DVD without turning off the system, press the stop button on the remote control, or press the pushbutton located under the stop or the play/pause symbol tags displayed on the radio. If the radio head is sourced to something other than DVD-V, press the DVD/CD AUX button to make DVD-V the active source. To resume DVD playback, press the play/pause button on the remote control, or press the pushbutton located under the

play/pause symbol tag displayed on the radio. The DVD should resume play from where it last stopped if the disc has not been ejected and the stop button has not been pressed twice on the remote control. If the disc has been ejected or the stop button has been pressed twice on the remote control, the disc resumes playing at the beginning of the disc.

Ejecting a Disc

Press the eject button on the radio to eject the disc. If a disc is ejected from the radio, but not removed, the radio reloads the disc after a short period of time. The disc is stored in the radio. The radio does not resume play of the disc automatically. In case loading and reading of a DVD or CD cannot be completed (unknown format, etc.), and the disc fails to eject, press and hold the DVD Eject button more than five seconds to force the disc to eject.

DVD Radio Error Messages

Player Error:

This message displays when there are disc load or eject problems.

Disc Format Error:

This message displays, if the disc is inserted with the disc label wrong side up, or if the disc is damaged.

Disc Region Error:

This message displays, if the disc is not from a correct region.

No Disc Inserted:

This message displays, if no disc is present when the EJECT or DVD/CD AUX button is pressed on the radio.

Using the Auxiliary Input Jack(s)

The radio system has an auxiliary input jack located on the lower right side of the faceplate. This is not an audio output; do not plug the headphone set into the front auxiliary input jack. However, an external audio device such as an iPod, laptop computer, MP3 player, CD player, or cassette tape player, etc. can be connected to the auxiliary input jack for use as another source for audio listening.

Drivers are encouraged to set up any auxiliary device while the vehicle is in PARK (P). Refer to "Defensive Driving" in "Your Driving, the Road, and Your Vehicle" in the "Driving Your Vehicle" section for more information on driver distraction.

To use a portable audio player, connect a 1/8 inch (3.5 mm) cable to the radio's front auxiliary input jack. While a device is connected, the radio automatically begins playing audio from the device over the vehicle speakers.

INSTRUMENT PANEL

To listen to a device through the rear auxiliary input over the speakers, cycle the DVD/CD Aux button on the radio faceplate until "Rear Aux Input" displays on the radio. The RSA or DVD Screen must be on in order for the radio to source to rear auxiliary.

(Power/Volume):

Turn this knob clockwise or counterclockwise to increase or decrease the volume of the portable player. Additional volume adjustments might be needed from the portable device if the volume is not loud or soft enough.

BAND:

Press this button to listen to the radio when a portable audio device is playing. The portable audio device continues playing, so you might want to stop it or power it off.

DVD/CD AUX (CD/Auxiliary):

Press this button to cycle through DVD, CD, or Auxiliary when listening to the radio. The DVD/CD text label and a message showing track or chapter number displays when a disc is in either slot. Press this button again and the system automatically searches for an auxiliary input device, such as a portable audio player. If a portable audio player is not connected, "No Aux Input Device" displays. If a disc is in both the DVD slot and the CD slot the DVD/CD AUX button cycles between the two sources and not indicate "No Aux Input Device". If a front auxiliary device is con-

nected, the DVD/CD AUX button cycles through all available options, such as: DVD slot, CD slot, Front Auxiliary, and Rear Auxiliary (if available). Refer to "Using the Auxiliary Input Jack(s)" later in this section, or "Audio/Video (A/V) Jacks" under, "Rear Seat Entertainment System" in this section for more information.

Using an MP3 (Radio with Single CD Player)

MP3 CD-R or CD-RW Disc

The radio plays MP3 files that were recorded on a CD-R or CD-RW disc. The files can be recorded with the following fixed bit rates: 32 kbps, 40 kbps, 56 kbps, 64 kbps, 80 kbps, 96 kbps, 112 kbps, 128 kbps, 160 kbps, 192 kbps, 224 kbps, 256 kbps, and 320 kbps or a variable bit rate. Song title, artist name, and album are available for display by the radio when recorded using ID3 tags version 1 and 2.

Compressed Audio

The radio will also play discs that contain both uncompressed CD audio (.CDA files) and MP3 files. By default the radio shows the MP3 label on the left side of the screen but plays both file formats in the order in which they were recorded to the disc.

MP3 Format

If you burn your own MP3 disc on a personal computer:

- Make sure the MP3 files are recorded on a CD-R or CD-RW disc.

- Do not mix standard audio and MP3 files on one disc.
- The CD player is able to read and play a maximum of 50 folders, 15 playlists, and 512 folders and files.
- Create a folder structure that makes it easy to find songs while driving. Organize songs by albums using one folder for each album. Each folder or album should contain 18 songs or less.
- Avoid subfolders. The system can support up to eight subfolders deep, however, keep the total number of folders to a minimum in order to reduce the complexity and confusion in trying to locate a particular folder during playback.
- Make sure playlists have a .mp3 or .wpl extension (other file extensions may not work).
- Minimize the length of the file, folder, or playlist names. Long file, folder, or playlist names, or a combination of a large number of files and folders, or playlists may cause the player to be unable to play up to the maximum number of files, folders, playlists, or sessions. If you wish to play a large number of files, folders, playlists or sessions, minimize the length of the file, folder, or playlist name. Long names also take up more space on the display, potentially getting cut off.
- Finalize the audio disc before you burn it. Trying to add music to an existing disc may cause the disc not to function in the player.

INSTRUMENT PANEL

You can change playlists by using the previous and next folder buttons, the tuner knob, or the seek buttons. You can also play an MP3 CD-R that was recorded using no file folders. If a CD-R contains more than the maximum of 50 folders, 15 playlists, and 512 folders and files, the player lets you access and navigate up to the maximum, but all items over the maximum are not accessible.

Root Directory

The root directory of the CD-R is treated as a folder. If the root directory has compressed audio files, the directory is displayed as the CD label. All files contained directly under the root directory are accessed prior to any root directory folders. However, playlists (Px) are always accessed before root folders or files.

If a disc contains both uncompressed CD audio (.CDA) and MP3 files, a folder under the root directory called CD access all of the CD audio tracks on the disc.

Empty Directory or Folder

If a root directory or a folder exists somewhere in the file structure that contains only folders/subfolders and no compressed files directly beneath them, the player advances to the next folder in the file structure that contains compressed audio files. The empty folder does not display.

No Folder

When the CD-R contains only compressed files, the files are located under the root

folder. The next and previous folder functions do not display on a CD-R that was recorded without folders or playlists.

When the CD-R contains only playlists and compressed audio files, but no folders, all files are located under the root folder. The folder down and the folder up buttons searches playlists (Px) first and then goes to the root folder.

Order of Play

Tracks recorded to the CD-R are played in the following order:

- Play begins from the first track in the first playlist and continues sequentially through all tracks in each playlist. When the last track of the last playlist has been played, play continues from the first track of the first playlist.
- Play begins from the first track in the first folder and continues sequentially through all tracks in each folder. When the last track of the last folder has played, play continues from the first track of the first folder.

When play enters a new folder, the display does not automatically show the new folder name unless you have chosen the folder mode as the default display. The new track name appears on the display.

File System and Naming

The song name that displays is the song name that is contained in the ID3 tag. If the song name is not present in the ID3 tag,

then the radio displays the file name without the extension (such as .mp3) as the track name.

Track names longer than 32 characters or four pages are shortened. The display does not show parts of words on the last page of text and the extension of the filename is not displayed.

Preprogrammed Playlists

You can access preprogrammed playlists that were created using WinAmp™, Music-Match™, or Real Jukebox™ software, however, you do not have playlist editing capability using the radio. These playlists are treated as special folders containing compressed audio song files.

Playing an MP3

Insert a CD-R partway into the slot label side up. The player pulls it in, and the CD-R should begin playing.

If you turn off the ignition or radio with a CD-R in the player it stays in the player. When you turn on the ignition or radio, the CD-R starts to play where it stopped, if it was the last selected audio source.

As each new track starts to play, the track number and song title appears on the display.

The CD player can play the smaller 3 inch (8 cm) single CD-Rs with an adapter ring. Full-size CD-Rs and the smaller CD-Rs are loaded in the same manner.

INSTRUMENT PANEL

If playing a CD-R, the sound quality may be reduced due to CD-R quality, the method of recording, the quality of the music that has been recorded, and the way the CD-R has been handled. There may be an increase in skipping, difficulty in finding tracks, and/or difficulty in loading and ejecting. If these problems occur, check the bottom surface of the CD. If the surface of the CD is damaged, such as cracked, broken, or scratched, the CD will not play properly. If the surface of the CD is soiled, refer to "Care of Your CDs and DVDs" in this section "Care of Your CDs and DVDs" for more information.

If there is no apparent damage, try a known good CD.

CAUTION

If a label is added to a CD, or more than one CD is inserted into the slot at a time, or an attempt is made to play scratched or damaged CDs, the CD player could be damaged. While using the CD player, use only CDs in good condition without any label, load one CD at a time, and keep the CD player and the loading slot free of foreign materials, liquids, and debris.

Do not add any label to a CD, it could get caught in the CD player. If a CD is recorded on a personal computer and a description label is needed, try labeling the

top of the recorded CD with a soft marker pen.

If an error appears on the display, see "CD Messages" later in this section.

EJECT:

Press the CD eject button to eject CD-R(s). To eject the CD-R that is currently playing, press and release this button. A beep sounds and Ejecting Disc displays. Once the disc is ejected, Remove Disc displays. The CD-R can be removed. If the CD-R is not removed, after several seconds, the CD-R automatically pulls back into the player and begins playing.

(Tune):

Turn this knob to select MP3 files on the CD-R currently playing.

SEEK :

Press the left SEEK arrow to go to the start of the current MP3 file, if more than ten seconds have played. Press the right SEEK arrow to go to the next MP3 file. If either SEEK arrow is held or pressed multiple times, the player continues moving backward or forward through MP3 files on the CD.

(Previous Folder):

Press the pushbutton positioned under the Folder label to go to the first track in the previous folder.

(Next Folder):

Press the pushbutton positioned under the Folder label to go to the first track in the next folder.

REV (Reverse):

Press and hold this button to reverse playback quickly within an MP3 file. You will hear sound at a reduced volume. Release this button to resume playing the file. The elapsed time of the file appears on the display.

FWD (Fast Forward):

Press and hold this button to advance playback quickly within an MP3 file. You will hear sound at a reduced volume. Release this button to resume playing the file. The elapsed time of the file appears on the display.

RDM (Random):

With random, you can listen to MP3 files on the CD-R in random, rather than sequential order. To use random, press the pushbutton positioned under the RDM label until Random Current Disc displays. Press the same pushbutton again to turn off random play.

(Music Navigator):

Use the music navigator feature to play MP3 files on the CD-R in order by artist or album. Press the pushbutton located below the music navigator label. The player scans the disc to sort the files by artist and album ID3 tag information. It may take several minutes to scan the disc

INSTRUMENT PANEL

depending on the number of MP3 files recorded to the CD-R. The radio may begin playing while it is scanning the disc in the background. When the scan is finished, the CD-R begins playing again.

Once the disc has been scanned, the player defaults to playing MP3 files in order by artist. The current artist playing is shown on the second line of the display between the arrows. Once all songs by that artist are played, the player moves to the next artist in alphabetical order on the CD-R and begins playing MP3 files by that artist. If you want to listen to MP3 files by another artist, press the pushbutton located below either arrow button. You will go to the next or previous artist in alphabetical order. Continue pressing either button until the desired artist is displayed.

To change from playback by artist to playback by album, press the pushbutton located below the Sort By label. From the sort screen, push one of the buttons below the album button. Press the pushbutton below the back label to return to the main music navigator screen. Now the album name is displayed on the second line between the arrows and songs from the current album begins to play. Once all songs from that album are played, the player moves to the next album in alphabetical order on the CD-R and begin playing MP3 files from that album.

To exit music navigator mode, press the pushbutton below the Back label to return to normal MP3 playback.

BAND:

Press this button to listen to the radio when a CD is playing. The CD remains safely inside the radio for future listening.

CD/AUX (CD/Auxiliary):

Press this button to play a CD when listening to the radio. The CD icon and a message showing disc and/or track number appears on the display when a CD is in the player. Press this button again and the system automatically searches for an auxiliary input device such as a portable audio player. If a portable audio player is not connected, "No Input Device Found" displays.

Using an MP3 (Radio with CD and DVD Player)

MP3/WMA CD-R or CD-RW Disc Compressed Audio or Mixed Mode Discs

The radio also plays discs that contain both uncompressed CD audio (.CDA files) and MP3/WMA files depending on which slot the disc is loaded into. By default the radio reads only the uncompressed audio (.CDA) and ignores the MP3/WMA files on the DVD deck. On the CD deck, pressing the CAT button toggles between compressed and uncompressed audio format, the default being the uncompressed format (.CDA).

MP3/WMA Format

If you burn your own MP3/WMA disc on a personal computer:

- Make sure the MP3 files are recorded on a CD-R or CD-RW disc.
- Do not mix standard audio and MP3 files on one disc.
- The CD player (lower slot) is able to read and play a maximum combination of 512 files and folders. The DVD player (upper slot) is able to read 255 folders, 15 playlists and 40 sessions.
- Create a folder structure that makes it easy to find songs while driving. Organize songs by albums using one folder for each album. Each folder or album should contain 18 songs or less.
- Avoid subfolders. The system can support up to eight subfolders deep, however, keep the total number of folders to a minimum in order to reduce the complexity and confusion in trying to locate a particular folder during playback.
- Make sure playlists have a .m3u, .wpl or .pls extension as other file extensions may not work.
- Minimize the length of the file, folder or playlist names. Long file, folder, or playlist names, or a combination of a large number of files and folders, or playlists may cause the player to be unable to play up to the maximum number of files, folders, playlists, or sessions. If you wish to play a large number of files, folders, playlists, or sessions, minimize the

INSTRUMENT PANEL

length of the file, folder, or playlist name. Long names also take up more space on the display, potentially getting cut off.

- Finalize the audio disc before you burn it. Trying to add music to an existing disc may cause the disc not to function in the player.

Root Directory

The root directory of the CD-R is treated as a folder. If the root directory has compressed audio files, the directory is displayed as F1 ROOT. All files contained directly under the root directory are accessed prior to any root directory folders. However, playlists (Px) are always accessed before root folders or files.

Empty Directory or Folder

If a root directory or a folder exists somewhere in the file structure that contains only folders/subfolders and no compressed files directly beneath them, the player advances to the next folder in the file structure that contains compressed audio files. The empty folder does not display.

No Folder

When the CD-R contains only compressed files, the files are located under the root folder. The next and previous folder function does not function on a CD-R that was recorded without folders or playlists. When displaying the name of the folder the radio displays ROOT.

When the CD-R contains only playlists and compressed audio files, but no folders, all

files are located under the root folder. The folder down and the folder up buttons search playlists (Px) first and then goes to the root folder. When the radio displays the name of the folder the radio displays ROOT.

Order of Play

Tracks recorded to the CD-R are played in the following order:

- Play begins from the first track in the first playlist and continues sequentially through all tracks in each playlist. When the last track of the last playlist has played, play continues from the first track of the first playlist.
- Play begins from the first track in the first folder and continues sequentially through all tracks in each folder. When the last track of the last folder has played, play continues from the first track of the first folder.

When play enters a new folder, the display does not automatically show the new folder name unless the folder mode was chosen as the default display. The new track name displays.

File System and Naming

The song name that is displayed is the song name that is contained in the ID3 tag. If the song name is not present in the ID3 tag, then the radio displays the file name without the extension (such as .mp3) as the track name.

Track names longer than 32 characters or four pages are shortened. Parts of words on the last page of text and the extension of the filename displays.

Preprogrammed Playlists

Preprogrammed playlists that were created using WinAmp™, MusicMatch™, or Real Jukebox™ software can be accessed, however, they cannot be edited using the radio. These playlists are treated as special folders containing compressed audio song files.

Playing an MP3 (in either the DVD or CD slot)

Insert a CD-R partway into either the top or bottom slot, label side up. The player pulls it in, and the CD-R should begin playing.

Depending on the format of the disc, a softkey menu appears and allows navigation of the disc. The menu reads left to right as RDM (Randomize song play order), a Folder icon with left and right arrows (to move up or down through available folders), a PL tag if the disc has a Playlist available, and a Music Navigator tag. If a Playlist tag is shown, toggling this key brings up a Folder softkey only or the menu as previously described.

If the ignition or radio is turned off with a CD-R in the player, it stays in the player. When the ignition or radio is turned on, the CD-R starts to play where it stopped, if it was the last selected audio source.

INSTRUMENT PANEL

As each new track starts to play, the track number and song title displays.

The CD player can play the smaller 3 inch (8 cm) single CD-Rs with an adapter ring. Full-size CD-Rs and the smaller CD-Rs are loaded in the same manner.

If playing a CD-R, the sound quality can be reduced due to CD-R quality, the method of recording, the quality of the music that has been recorded, and the way the CD-R has been handled. There can be an increase in skipping, difficulty in finding tracks, and/or difficulty in loading and ejecting. If these problems occur, check the bottom surface of the CD. If the surface of the CD is damaged, such as cracked, broken, or scratched, the CD will not play properly. If the surface of the CD is soiled, refer to "Care of Your CDs and DVDs" in this section for more information.

If there is no apparent damage, try a known good CD.

CAUTION

If a label is added to a CD, or more than one CD is inserted into the slot at a time, or an attempt is made to play scratched or damaged CDs, the CD player could be damaged. While using the CD player, use only CDs in good condition without any label, load one CD at a time, and keep the CD player and the loading slot free of foreign materials, liquids, and debris.

Do not add any label to a CD. It could get caught in the CD player. If a CD is recorded on a personal computer and a description label is needed, try labeling the top of the recorded CD with a marking pen.

If an error displays, see "CD Messages" later in this section.

CD (Eject):

Press and release the CD eject button to eject the CD-R that is currently playing in the bottom slot. A beep sounds and Ejecting Disc displays. Once the disc is ejected, Remove Disc displays. The CD-R can be removed. If the CD-R is not removed, after several seconds, the CD-R automatically pulls back into the player.

If loading and reading of a CD cannot be completed, such as unknown format, etc., and the disc fails to eject, press and hold the DVD eject button for more than five seconds to force the disc to eject.

DVD (Eject):

Press and release the DVD eject button to eject the CD-R that is currently playing in the top slot. A beep sounds and Ejecting Disc displays. Once the disc is ejected, Remove Disc displays. The CD-R can be removed. If the CD-R is not removed, after several seconds, the CD-R automatically pulls back into the player. If loading and reading of a CD cannot be completed, such as unknown format, etc., and the disc fails to eject, press and hold the DVD eject

button for more than five seconds to force the disc to eject.

(Tune):

Turn this knob to select MP3 files on the CD-R that is currently playing.

SEEK :

Press the left SEEK arrow to go to the start of the current MP3 file, if more than five seconds have played. If less than five seconds have played, the previous MP3 file plays. Press the right SEEK arrow to go to the next MP3 file. If either SEEK arrow is held, or pressed multiple times, the player continues moving backward or forward through the MP3 files on the CD.

(Previous Folder):

Press the pushbutton positioned under the Folder label to go to the first track in the previous folder.

(Next Folder):

Press the pushbutton positioned under the Folder label to go to the first track in the next folder.

REV (Reverse):

Press and hold this button to reverse playback quickly within an MP3 file. Sound is heard at a reduced volume. Release this button to resume playing the file. The elapsed time of the file displays.

FWD (Fast Forward):

Press and hold this button to advance playback quickly within an MP3 file. Sound is heard at a reduced volume. Release this

INSTRUMENT PANEL

button to resume playing the file. The elapsed time of the file displays.

RDM (Random):

With the random setting, MP3 files on the CD-R can be listened to in random, rather than sequential order. To play MP3 files from the CD-R you are listening to in random order, press the pushbutton positioned under the RDM label until Random Current Disc displays. Press the same pushbutton again to turn off random play.

(Music Navigator):

Use the music navigator feature to play MP3 files on the CD-R in order by artist or album. Press the pushbutton located below the music navigator label. The player scans the disc to sort the files by artist and album ID3 tag information. It might take several minutes to scan the disc depending on the number of MP3 files recorded to the CD-R.

To cancel music navigator while the player is scanning, press the pushbutton located below the music navigator label or eject the disc. The radio can begin playing while it is scanning the disc in the background. When the scan is finished, the CD-R begins playing again.

Once the disc has been scanned, the player defaults to playing MP3 files in order by artist. The current artist playing is shown on the second line of the display between the arrows. If you want to listen to MP3 files by another artist, press the push-

button located below either arrow button. The disc goes to the next or previous artist in alphabetical order. Continue pressing either button until the desired artist is displayed.

To change from playback by artist to playback by album, press the pushbutton located below the Sort By label. From the sort screen, push one of the buttons below the album button. Press the pushbutton below the back label to return to the main music navigator screen. Now the album name is displayed on the second line between the arrows and songs from the current album begin to play. Once all songs from that album are played, the player moves to the next album in alphabetical order on the CD-R and begins playing MP3 files from that album.

To exit music navigator mode, press the pushbutton below the Back label to return to normal MP3 playback.

BAND:

Press this button to listen to the radio when a CD or a DVD is playing. The CD or DVD remains inside the radio for future listening or viewing entertainment.

DVD/CD AUX (Auxiliary):

Press this button to cycle through DVD, CD, or Auxiliary when listening to the radio. The DVD/CD text label and a message showing track or chapter number displays when a disc is in either slot. Press this button again and the system automatically

searches for an auxiliary input device, such as a portable audio player. If a portable audio player is not connected, "No Aux Input Device" displays. If a disc is in both the DVD slot and the CD slot the DVD/CD AUX button cycles between the two sources and not indicate connected, the DVD/CD AUX button cycles through all available options, such as: DVD slot, CD slot, Front Auxiliary, and Rear Auxiliary (if available). Refer to "Using the Auxiliary Input Jack(s)" later in this section, or "Audio/Video (A/V) Jacks" under, "Rear Seat Entertainment System" in this section for more information.

If a MP3 is inserted into top DVD slot, the rear seat operator can turn on the video screen and use the remote control to navigate the CD (tracks only) through the remote control.

INSTRUMENT PANEL

XM Radio Messages

Radio Display Message	Condition	Action Required
XL (Explicit Language Channels)	XL on the radio display, after the channel name, indicates content with explicit language.	These channels, or any others, can be blocked at a customer's request, by calling 1-800-852-XXXM (9696).
XM Updating	Updating encryption code	The encryption code in the receiver is being updated, and no action is required. This process should take no longer than 30 seconds.
No XM Signal	Loss of signal	The system is functioning correctly, but the vehicle is in a location that is blocking the XM™ signal. When you move into an open area, the signal should return.
Loading XM	Acquiring channel audio (after four second delay)	The audio system is acquiring and processing audio and text data. No action is needed. This message should disappear shortly.
Channel Off Air	Channel not in service	This channel is not currently in service. Tune to another channel.
Channel Unavail	Channel no longer available	This previously assigned channel is no longer assigned. Tune to another station. If this station was one of the presets, choose another station for that preset button.
No Artist Info	Artist Name/Feature not available	No artist information is available at this time on this channel. The system is working properly.
No Title Info	Song/Program Title not available	No song title information is available at this time on this channel. The system is working properly.
No CAT Info	Category Name not available	No category information is available at this time on this channel. The system is working properly.
No Information	No Text/Informational message available	No text or informational messages are available at this time on this channel. The system is working properly.

INSTRUMENT PANEL

Radio Display Message	Condition	Action Required
CAT Not Found	No channel available for the chosen category	There are no channels available for the selected category. The system is working properly.
XM Theft Locked	Theft lock active	The XM TM receiver in the vehicle could have previously been in another vehicle. For security purposes, XM TM receivers cannot be swapped between vehicles. If this message appears after having your vehicle serviced, check with your dealer.
XM Radio ID	Radio ID label (channel 0)	If tuned to channel 0, this message alternates with the XM TM Radio eight digit radio ID label. This label is needed to activate the service.
Unknown	Radio ID not known (should only be if hardware failure)	If this message is received when tuned to channel 0, there could be a receiver fault. Consult with your dealer.
Check XM Receivr	Hardware failure	If this message does not clear within a short period of time, the receiver could have a fault. Consult with your dealer.
XM Not Available	XM TM Not Available	If this message does not clear within a short period of time, the receiver could have a fault. Consult with your dealer.

INSTRUMENT PANEL

Navigation/Radio System

Your vehicle may have a navigation radio system.

The navigation radio system has built-in features intended to minimize driver distraction. Technology alone, no matter how advanced, can never replace your own judgment. For complete information on your navigation radio system, including tips on helping to reduce distractions while driving, see the Navigation System Manual.

Rear Seat Entertainment System

Your vehicle may have a DVD Rear Seat Entertainment (RSE) system. The RSE system works with the vehicle's audio system. The DVD player is part of the front radio. The RSE system includes a radio with a DVD player, a video display screen, audio/video jacks, two wireless headphones, and a remote control. Refer to "Radio with CD and DVD (MP3)" in this section for more information on the vehicle's audio/DVD system.

Before You Drive

The RSE is designed for rear seat passengers only. The driver cannot safely view the video screen while driving and should not try to do so.

In severe or extreme weather conditions the RSE system may or may not work until the temperature is within the operating range. The operating range for the RSE

system is above -4°F (-20°C) or below 140°F (60°C). If the temperature of your vehicle is outside of this range, heat or cool the vehicle until the temperature is within the operating range of the RSE system.

Parental Control

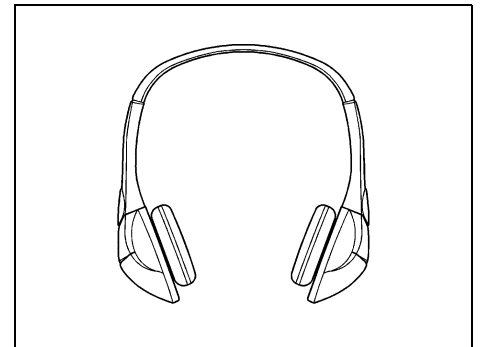
The RSE system may have a Parental Control feature, depending on which radio you have. The Parental Control feature will turn off the video screen. This feature also disables all button operations from the remote control. This feature can be used to gain the attention of the rear passengers that are using headphones.

To enable Parental Control press and hold the radio power button for more than two seconds. If on, the radio and video screen will turn off. If a DVD and/or CD is playing, it will be stopped. A "padlock" icon or a text message may be displayed on the radio display depending on which radio you have, while Parental Control is on. The radio can be turned back on with a single press of the power button and used normally, but the RSE system will remain in Parental Control.

To turn off Parental Control, press and hold the radio power button for more than two seconds. The video screen will return to the state they were in before Parental Control was turned on. The padlock icon will disappear from the radio display.

Parental Control can also be turned off by inserting or ejecting any disc, an ignition cycle, or pressing the play icon on the radio DVD display menu.

Headphones



1674951

The RSE includes two 2-channel wireless headphones that are dedicated to this system. These headphones are used to listen to media such as CDs, DVDs, MP3s, DVDAs, radio, or any auxiliary source connected to the auxiliary input jack, if your vehicle has this feature or A/V jacks. The wireless headphones have an On/Off button, channel 1/2 switch, and a volume control.

If your vehicle has a third row video screen display, it will have two additional headphones.

INSTRUMENT PANEL

Push the power button to turn on the headphones. An indicator light located on the headphones will illuminate. If the light does not illuminate, the batteries may need to be replaced. See "Battery Replacement" later in this section for more information. Switch the headphones to Off when not in use.

The infrared transmitters are located at the rear of the RSE overhead console. The headphones will shut off automatically to save the battery power if the RSE system is shut off or if the headphones are out of range of the transmitters for more than three minutes. If you move too far forward or step out of the vehicle, the headphones will lose the audio signal.

The headphones will automatically turn off after four hours of continuous use.

To adjust the volume on the headphones, use the volume control located on the right side.

For optimal audio performance, the headphones must be worn correctly. The symbol L (Left) will appear on the upper left side, above the ear pad and should be positioned on the left ear.

The symbol R (Right) will appear on the upper right side, above the ear pad and should be positioned on the right ear.

If the remote control becomes lost or damaged, a new universal remote control can be purchased. If this happens, make sure

the universal remote control uses a code set of Toshiba®.

CAUTION

Do not store the headphones in heat or direct sunlight. This could damage the headphones and repairs will not be covered by your warranty. Keep the headphones stored in a cool, dry place.

The foam ear pads attached to the headphones may become worn or damaged if they are not handled or stored properly. If the foam ear pads do become damaged or worn out, the pads can be replaced separately from the headphone set. It is not necessary to replace the complete headphone set. The headphone replacement foam ear pads can be ordered in pairs. See your dealer for more information.

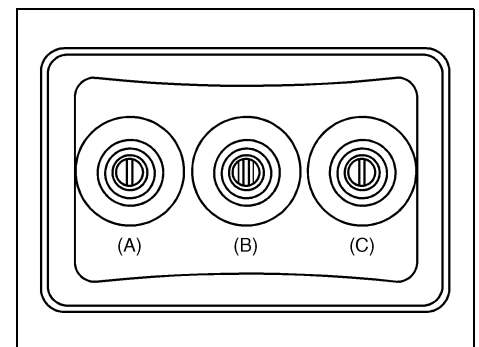
Battery Replacement

To change the batteries, do the following:

- 1) Turn the screw with a coin or screw driver to loosen, then slide open the battery door located on the left side of the headphones.
- 2) Replace the two batteries in the compartment. Make sure that they are installed correctly, using the diagram on the inside of the battery compartment.
- 3) Replace the battery door and tighten the door screw.

If the headphones are to be stored for a long period of time, remove the batteries and keep them in a cool, dry place.

Audio/Video (A/V) Jacks



1676611

The A/V jacks are located on the rear of the floor console. The A/V jacks allow audio or video signals to be connected from an auxiliary device such as a camcorder or a video game unit to the RSE system. Adapter connectors or cables may be required to connect the auxiliary device to the A/V jacks. Refer to the manufacturer's instructions for proper usage.

The A/V jacks are color coded to match typical home entertainment system equipment. The yellow jack (A) is for the video input. The white jack (B) is for the left audio input. The red jack (C) is for the right audio input.

INSTRUMENT PANEL

Power for auxiliary devices is not supplied by the radio system.

To use the auxiliary inputs of the RSE system, connect an external auxiliary device to the color-coded A/V jacks and turn both the auxiliary device and the video screen power on. If the video screen is in the DVD player mode, pressing the AUX button on the remote control will switch the video screen from the DVD player mode to the auxiliary device. The radio can listen to the audio of the connected auxiliary device by sourcing to auxiliary. Refer to "Radio with CD and DVD (MP3)" in this section for more information.

How to Change the RSE Video Screen Settings

The screen display mode (normal, full, and zoom), screen brightness, and setup menu language can be changed from the on screen setup menu. To change any feature, perform the following:

- 1) Press the display menu button on the remote control.
- 2) Use the remote control menu navigation arrows and the enter button to use the setup menu.
- 3) Press the display menu button again to remove the setup menu from the screen.

Audio Output

Audio from the DVD player or auxiliary inputs may be heard through the following possible sources:

- Wireless Headphones
- Vehicle Speakers

The RSE system will always transmit the audio signal to the wireless headphones, if there is audio available. See "Headphones" earlier in this section for more information.

When a device is connected to the radio's auxiliary input jack, if your vehicle has this feature, or A/V jacks, the rear seat passengers will be able to hear audio from the auxiliary device through the wireless or wired headphones. The front seat passengers will be able to listen to playback from this device through the vehicle speakers by selecting AUX as the source on the radio.

Video Screen

The video screen is located in the RSE overhead console.

To use the video screen, do the following:

- 1) Push the release button located on the RSE overhead console.
- 2) Rotate the screen to the desired position.

When the video screen is not in use, push it up into its locked position.

If a DVD is playing and the screen is raised to its locked position, the screen will remain on, this is normal, and the DVD will continue to play through the previous audio source. Use the remote control power button or eject the disc to turn off the screen.

The RSE overhead console contains the infrared receivers for the wireless headphones and the infrared receivers for the remote control. They are located at the rear of the console.

CAUTION

Avoid directly touching the video screen, as damage may occur. See "Cleaning the Video Screen" later in this section for more information.

INSTRUMENT PANEL

Remote Control

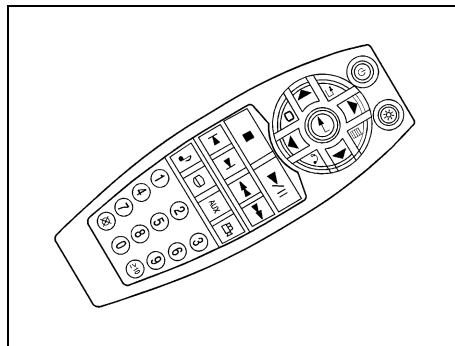
To use the remote control, aim it at the transmitter window at the rear of the RSE overhead console and press the desired button. Direct sunlight or very bright light may affect the ability of the RSE transmitter to receive signals from the remote control. If the remote control does not seem to be working, the batteries may need to be replaced. See "Battery Replacement" later in this section. Objects blocking the line of sight may also affect the function of the remote control.

If a CD or DVD is in the Radio DVD slot, the remote control power button can be used to turn on the video screen display and start the disc. The radio can also turn on the video screen display. Refer to "Radio with CD and DVD (MP3)" in this section for more information.

CAUTION

Storing the remote control in a hot area or in direct sunlight can damage it, and the repairs will not be covered by your warranty. Keep the remote control stored in a cool, dry place.

Remote control buttons



1523717

(Power):

Press this button to turn the video screen on and off.

(Illumination):

Press this button to turn the remote control backlight on. The backlight will automatically time out after seven to ten seconds if no other button is pressed while the backlight is on.

(Title):

Press this button to return the DVD to the main menu of the DVD. This function may vary for each disc.

(Main Menu):

Press this button to access the DVD menu. The DVD menu is different on every DVD. Use the up, down, left, and right arrow buttons to move the cursor around the DVD menu. After making a selection press the

enter button. This button only operates when using a DVD.

(Menu Navigation Arrows):

Use the arrow buttons to navigate through a menu.

(Enter):

Press this button to select the choice that is highlighted in any menu.

(Display Menu):

Press this button to adjust the brightness, screen display mode (normal, full, or zoom), and display the language menu.

(Return):

Press this button to exit the current active menu and return to the previous menu. This button will operate only when the display menu or a DVD menu is active.

(Stop):

Press this button to stop playing, rewinding, or fast forwarding a DVD. Press this button twice to return to the beginning of the DVD.

(Play/Pause):

Press this button to start playing a DVD. Press this button while a DVD is playing to pause it. Press it again to continue playing the DVD.

When the DVD is playing, depending on the radio, you may be able to do slow play by pressing the pause button then pressing the fast forward button. The DVD will con-

INSTRUMENT PANEL

tinue playing in a slow play mode. You may also, depending on the radio, perform reverse slow play by pressing the pause button and then pressing the fast reverse button. To cancel slow play mode, press the play/pause button.

◀ (Previous Track/Chapter):

Press this button to return to the start of the current track or chapter. Press this button again to go to the previous track or chapter. This button may not work when the DVD is playing the copyright information or the previews.

▶ (Next Track/Chapter):

Press this button to go to the beginning of the next chapter or track. This button may not work when the DVD is playing the copyright information or the previews.

◀◀ (Fast Reverse):

Press this button to fast reverse the DVD or CD. To stop fast reversing a DVD video, press the play button. To stop fast reversing a DVD audio or CD, release the fast reverse button. This button may not work when the DVD is playing the copyright information or the previews.

▶▶ (Fast Forward):

Press this button to fast forward the DVD or CD. To stop fast forwarding a DVD video, press the play button. To stop fast forwarding a DVD audio or CD, release the fast forward button. This button may not work when the DVD is playing the copyright information or the previews.

🎵 (Audio):

Press this button to change audio tracks on DVDs that have this feature when the DVD is playing. The format and content of this function will vary for each disc.

☐ (Subtitles):

Press this button to turn ON/OFF subtitles and to move through subtitle options when a DVD is playing. The format and content of this function will vary for each disc.

AUX (Auxiliary):

Press this button to switch the system between the DVD player and an auxiliary source.

📺 (Camera):

Press this button to change camera angles on DVDs that have this feature when a DVD is playing. The format and content of this function will vary for each disc.

1 through 0 (Numeric Keypad):

The numeric keypad provides the capability of direct chapter or track number selection.

⊗ (Clear):

Press this button within three seconds after entering a numeric selection, to clear all numeric inputs.

≥ (Double Digit Entries):

Press this button to select chapter or track numbers greater than nine. Press this button before entering the number.

Battery Replacement

To change the remote control batteries, do the following:

- 1) Remove the battery compartment door located on the bottom of the remote control.
- 2) Replace the two batteries in the compartment. Make sure that they are installed correctly, using the diagram on the inside of the battery compartment.
- 3) Close the battery door securely.

If the remote control is to be stored for a long period of time, remove the batteries and keep them in a cool, dry place.

INSTRUMENT PANEL

Problem	Recommended Action
No power.	The ignition might not be turned on or in accessory.
The picture does not fill the screen. There are black borders on the top and bottom or on both sides or it looks stretched out.	Check the display mode settings in the setup menu by pressing the display menu button on the remote control.
In auxiliary mode, the picture moves or scrolls.	Check the auxiliary input connections at both devices.
The remote control does not work.	Check to make sure there is no obstruction between the remote control and the transmitter window. Check the batteries to make sure they are not dead or installed incorrectly.
After stopping the player, I push Play but sometimes the DVD starts where I left off and sometimes at the beginning.	If the stop button was pressed one time, the DVD player will resume playing where the DVD was stopped. If the stop button was pressed two times the DVD player will begin to play from the beginning of the DVD.
The auxiliary source is running but there is no picture or sound.	Check that the RSE video screen is in the auxiliary source mode. Check the auxiliary input connections at both devices.
Sometimes the wireless headphone audio cuts out or buzzes.	Check for obstructions, low batteries, reception range, and interference from cellular telephone towers or by using your cellular telephone in the vehicle. Check that the headphones are on correctly using the L (left) and R (right) on the headphones.
I lost the remote and/or the headphones.	See your dealer for assistance.
The DVD is playing, but there is no picture or sound.	Check that the RSE video screen is sourced to the DVD player.

INSTRUMENT PANEL

DVD Display Error Messages

The DVD display error message depends on which radio you have. The video screen may display one of the following:

Disc Load/Eject Error:

This message is displayed when there are disc load or eject problems.

Disc Format Error:

This message will be displayed, if the disc is inserted with the disc label wrong side up, or if the disc is damaged.

Disc Region Error:

This message will be displayed, if the disc is not from a correct region.

No Disc Inserted:

This message will be displayed, if no disc is present when the EJECT button is pressed on the radio.

DVD Distortion

Video distortion may occur when operating cellular phones, scanners, CB radios, Global Position Systems (GPS)*, two-way radios, mobile fax, or walkie talkies.

It may be necessary to turn off the DVD player when operating one of these devices in or near the vehicle.

Cleaning the RSE Overhead Console

When cleaning the RSE overhead console surface, use only a clean cloth dampened with clean water.

Cleaning the Video Screen

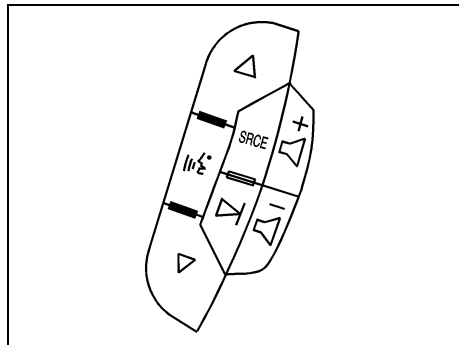
When cleaning the video screen, use only a clean cloth dampened with clean water. Use care when directly touching or cleaning the screen, as damage may result.

Theft-Deterrent Feature

THEFTLOCK® is designed to discourage theft of your vehicle's radio. The feature works automatically by learning a portion of the Vehicle Identification Number (VIN). If the radio is moved to a different vehicle, it does not operate and LOCKED displays.

With THEFTLOCK® activated, the radio cannot operate if stolen.

Audio Steering Wheel Controls



If your vehicle has audio steering wheel controls, they may be differ depending on

your vehicle's options. Some audio controls can be adjusted at the steering wheel. They include the following:

▽ △ (Next/Previous):

Press the up or the down arrow to go to the next or to the previous radio station stored as a favorite.

When a CD/DVD is playing, press the up or the down arrow to go to the next or previous track or chapter.

⊞ (Mute/Voice Recognition):

Press and release this button to silence the vehicle speakers only. The audio of the wireless and wired headphones, if your vehicle has these features, will not be muted. Press and release this button again, to turn the sound on.

If your vehicle has the navigation system, press and hold this button for longer than one second to initiate voice recognition. See "Voice Recognition" in the Navigation System manual for more information.

SRCE (Source):

Press this button to switch between the radio (AM, FM), XM (if equipped), CD, and if your vehicle has these features, DVD, front auxiliary, and rear auxiliary.

+ - (Volume):

Press the plus or minus button to increase or to decrease the radio volume.

INSTRUMENT PANEL

▷ (Seek):

Press the seek arrow to go to the next radio station while in AM, FM, or XM (if equipped). Press this button to go to the next track or chapter while sourced to the CD/DVD slot.

Radio Reception

XM™ Satellite Radio Service

XM™ Satellite Radio Service gives digital radio reception from coast-to-coast in the 48 contiguous United States, and in Canada.

You may experience interference with satellite radio signals, while driving near tall buildings or through hilly areas, causing the sound to fade in and out. In addition, driving or standing under heavy foliage, bridges, garages, or tunnels may cause loss of the XM™ signal for a period of time. The radio screen may display NO XM to indicate interference.

AM

The range for most AM stations is greater than for FM, especially at night. The longer range can cause station frequencies to interfere with each other. For better radio reception, most AM radio stations will boost the power levels during the day, and then reduce these levels during the night. Static can also occur when things like storms and power lines interfere with radio reception. When this happens, try reducing the treble on your radio.

FM

FM stereo will give the best sound, but FM signals will reach only about 10 to 40 miles (16 to 65 km). Tall buildings or hills can interfere with FM signals, causing the sound to fade in and out.

Care of Your CDs and DVDs

Handle CDs carefully. Store them in their original cases or other protective cases and away from direct sunlight and dust. The CD player scans the bottom surface of the disc. If the surface of a CD is damaged, such as cracked, broken, or scratched, the CD does not play properly or not at all. If the surface of a CD is soiled, take a soft, lint free cloth or dampen a clean, soft cloth in a mild, neutral detergent solution mixed with water, and clean it. Make sure the wiping process starts from the center to the edge.

Do not touch the bottom side of a CD while handling it; this could damage the surface. Pick up CDs by grasping the outer edges or the edge of the hole and the outer edge.

Care of the CD and DVD Player

The use of CD lens cleaners for CDs is not advised, due to the risk of contaminating the lens of the CD optics with lubricants internal to the CD mechanism.

Multi-Band Antenna

The multi-band antenna is located on the roof of your vehicle. This type of antenna is used with the AM/FM radio and the XM™ Satellite Radio Service System. Keep this antenna clear of snow and ice build up for clear radio reception.

If your vehicle has a sunroof, the performance of the radio system may be affected if the sunroof is open.

The roof rack crossrails may cause interference with the radio reception if items are kept in the rear most position. Keep objects that have been loaded on the roof of the vehicle at least one foot (0.31 meter) away from the antenna. Make sure the multi-band antenna is not obstructed.

INSTRUMENT PANEL

MEMO

DRIVING YOUR VEHICLE

DRIVING YOUR VEHICLE

Your Driving, the Road, and Your Vehicle 4-1
Towing 4-20

DRIVING YOUR VEHICLE

Your Driving, the Road, and Your Vehicle

Defensive Driving

The best advice anyone can give about driving is: Drive defensively.

Please start with a very important safety device in your vehicle: Buckle up. Refer to "Safety Belts: They Are for Everyone" in "Safety Belts" in the "Seats and Restraint Systems" section.

WARNING

Defensive driving really means "Be ready for anything." On city streets, rural roads, or expressways, it means "Always expect the unexpected." Assume that pedestrians or other drivers are going to be careless and make mistakes. Anticipate what they might do and be ready. Rear-end collisions are about the most preventable of accidents. Yet they are common. Allow enough following distance. Defensive driving requires that a driver concentrate on the driving task. Anything that distracts from the driving task makes proper defensive driving more difficult and can even cause a collision, with resulting injury. Ask a passenger to help do these things, or pull off the road in a safe place to do them. These simple defensive driving techniques could save your life.

Drunken Driving

Death and injury associated with drinking and driving is a national tragedy. It is the number one contributor to the highway death toll, claiming thousands of victims every year.

Alcohol affects four things that anyone needs to drive a vehicle:

- Judgment
- Muscular Coordination
- Vision
- Attentiveness

Police records show that almost half of all motor vehicle-related deaths involve alcohol. In most cases, these deaths are the result of someone who was drinking and driving. In recent years, more than 16000 annual motor vehicle-related deaths have been associated with the use of alcohol, with more than 300000 people injured.

Many adults – by some estimates, nearly half the adult population – choose never to drink alcohol, so they never drive after drinking. For persons under 21, it is against the law in every U.S. state to drink alcohol. There are good medical, psychological, and developmental reasons for these laws.

The obvious way to eliminate the leading highway safety problem is for people never to drink alcohol and then drive. But what if people do? How much is "too much" if someone plans to drive? It is a lot less than

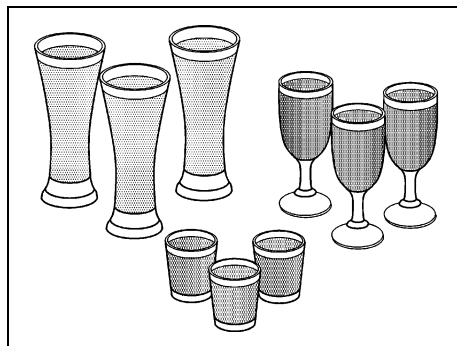
DRIVING YOUR VEHICLE

many might think. Although it depends on each person and situation, here is some general information on the problem.

The Blood Alcohol Concentration (BAC) of someone who is drinking depends upon four things:

- The amount of alcohol consumed
- The drinker's body weight
- The amount of food that is consumed before and during drinking
- The length of time it has taken the drinker to consume the alcohol

According to the American Medical Association, a 180 lbs (82 kg) person who drinks three 12 ounce (355 ml) bottles of beer in an hour will end up with a BAC of about 0.06 percent. The person would reach the same BAC by drinking three 4 ounce (120 ml) glasses of wine or three mixed drinks if each had 1-1/2 ounces (45 ml) of liquors like whiskey, gin, or vodka.



1527211

It is the amount of alcohol that counts. For example, if the same person drank three double martinis (3 ounces or 90 ml of liquor each) within an hour, the person's BAC would be close to 0.12 percent. A person who consumes food just before or during drinking will have a somewhat lower BAC level.

There is a gender difference, too. Women generally have a lower relative percentage of body water than men. Since alcohol is carried in body water, this means that a woman generally will reach a higher BAC level than a man of her same body weight will when each has the same number of drinks.

The law in most U.S. states, and throughout Canada, sets the legal limit at 0.08 percent. In some other countries, the limit is even lower. For example, it is 0.05 percent

in both France and Germany. The BAC limit for all commercial drivers in the United States is 0.04 percent.

The BAC will be over 0.10 percent after three to six drinks (in one hour). Of course, as we have seen, it depends on how much alcohol is in the drinks, and how quickly the person drinks them.

But the ability to drive is affected well below a BAC of 0.10 percent. Research shows that the driving skills of many people are impaired at a BAC approaching 0.05 percent, and that the effects are worse at night. All drivers are impaired at BAC levels above 0.05 percent. Statistics show that the chance of being in a collision increases sharply for drivers who have a BAC of 0.05 percent or above. A driver with a BAC level of 0.06 percent has doubled his or her chance of having a collision. At a BAC level of 0.10 percent, the chance of this driver having a collision is 12 times greater; at a level of 0.15 percent, the chance is 25 times greater!

The body takes about an hour to rid itself of the alcohol in one drink. No amount of coffee or number of cold showers will speed that up. "I will be careful" is not the right answer. What if there is an emergency, a need to take sudden action, as when a child darts into the street? A person with even a moderate BAC might not be able to react quickly enough to avoid the collision.

DRIVING YOUR VEHICLE

There is something else about drinking and driving that many people do not know. Medical research shows that alcohol in a person's system can make crash injuries worse, especially injuries to the brain, spinal cord, or heart. This means that when anyone who has been drinking – driver or passenger – is in a crash, that person's chance of being killed or permanently disabled is higher than if the person had not been drinking.

WARNING

Drinking and then driving is very dangerous. Your reflexes, perceptions, attentiveness, and judgment can be affected by even a small amount of alcohol. You can have a serious – or even fatal – collision if you drive after drinking. Please do not drink and drive or ride with a driver who has been drinking. Ride home in a cab; or if you are with a group, designate a driver who will not drink.

Control of a Vehicle

You have three systems that make your vehicle go where you want it to go. They are the brakes, the steering, and the accelerator. All three systems have to do their work at the places where the tires meet the road.

Sometimes, as when you are driving on snow or ice, it is easy to ask more of those control systems than the tires and road

can provide. That means you can lose control of your vehicle.

Adding non-Suzuki accessories can affect your vehicle's performance. Refer to "Accessories and Modifications" in "Service" in the "Service and Appearance Care" section.

Braking

Refer to "Brake System Warning Light" in "Warning Lights, Gages, and Indicators" in the "Instrument Panel" section.

Braking action involves perception time and reaction time.

First, you have to decide to push on the brake pedal. That is perception time. Then you have to bring up your foot and do it. That is reaction time.

Average reaction time is about three-fourths of a second. But that is only an average. It might be less with one driver and as long as two or three seconds or more with another. Age, physical condition, alertness, coordination, and eyesight all play a part. So do alcohol, drugs, and frustration. But even in three-fourths of a second, a vehicle moving at 60 mph (100 km/h) travels 66 feet (20 m). That could be a lot of distance in an emergency, so keeping enough space between your vehicle and others is important.

And, of course, actual stopping distances vary greatly with the surface of the road,

whether it is pavement or gravel; the condition of the road, whether it is wet, dry, or icy; tire tread; the condition of the brakes; the weight of the vehicle; and the amount of brake force applied.

Avoid needless heavy braking. Some people drive in spurts – heavy acceleration followed by heavy braking – rather than keeping pace with traffic. This is a mistake. The brakes may not have time to cool between hard stops. The brakes will wear out much faster if you do a lot of heavy braking. If you keep pace with the traffic and allow realistic following distances, you will eliminate a lot of unnecessary braking. That means better braking and longer brake life.

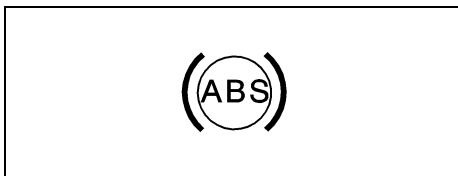
If your vehicle's engine ever stops while you are driving, brake normally but do not pump the brakes. If you do, the pedal may get harder to push down. If the engine stops, you will still have some power brake assist. But you will use it when you brake. Once the power assist is used up, it may take longer to stop and the brake pedal will be harder to push.

Adding non-Suzuki accessories can affect your vehicle's performance. Refer to "Accessories and Modifications" in "Service" in the "Service and Appearance Care" section.

Anti-Lock Brake System (ABS)

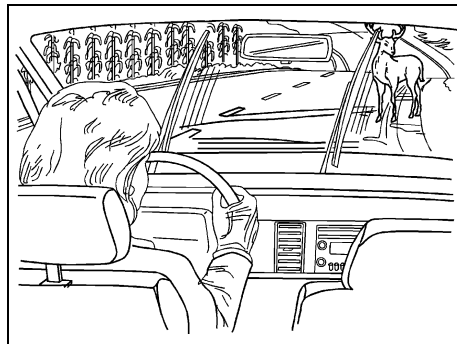
Your vehicle has the Anti-Lock Brake System (ABS), an advanced electronic braking system that will help prevent a braking skid.

When you start the engine and begin to drive away, ABS will check itself. You may hear a momentary motor or clicking noise while this test is going on, and you may even notice that the brake pedal moves a little. This is normal.



807057

If there is a problem with ABS, this warning light will stay on. Refer to "Anti-Lock Brake System Warning Light" in "Warning Lights, Gages, and Indicators" in the "Instrument Panel" section.

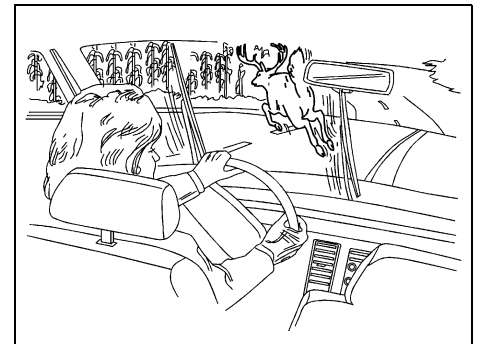


1527213

Let us say the road is wet and you are driving safely. Suddenly, an animal jumps out in front of you. You slam on the brakes and continue braking. Here is what happens with ABS:

A computer senses that wheels are slowing down. If one of the wheels is about to stop rolling, the computer will separately work the brakes at each wheel.

ABS can change the brake pressure faster than any driver could. The computer is programmed to make the most of available tire and road conditions. This can help you steer around the obstacle while braking hard.



1527212

As you brake, the computer keeps receiving updates on wheel speed and controls braking pressure accordingly.

Remember: ABS does not change the time you need to get your foot up to the brake pedal or always decrease stopping distance. If you get too close to the vehicle in front of you, you will not have time to apply the brakes if that vehicle suddenly slows or stops. Always leave enough room up ahead to stop, even though you have ABS.

Using ABS

Do not pump the brakes. Just hold the brake pedal down firmly and let anti-lock work for you. You may hear the anti-lock pump or motor operate, and feel the brake pedal pulsate, but this is normal.

DRIVING YOUR VEHICLE

Braking in Emergencies

With ABS, you can steer and brake at the same time. In many emergencies, steering can help you more than even the very best braking.

Traction Control System (TCS)

Your vehicle has a traction control system that limits wheel spin. This is especially useful in slippery road conditions. The system operates only if it senses that one or both of the front wheels are spinning or beginning to lose traction. When this happens, the system reduces engine power to limit wheel spin.



1545635

This light will come on when your traction control system is limiting wheel spin.

You may feel or hear the system working, but this is normal. This light may also come on after extended heavy braking indicating the brakes have become too hot to limit wheel spin.

The traction control system automatically comes on whenever you start your vehicle. To limit wheel spin, especially in slippery road conditions, you should always leave

the system on. But you can turn the traction control system off if you ever need to. You should turn the system off if your vehicle ever gets stuck in sand, mud, ice or snow and rocking the vehicle is required. Refer to "Rocking Your Vehicle to Get It Out" in this section.



78J001

The traction control system can be turned off by pressing the traction control button, located on the floor console to the left of the shift lever.

The traction control system can be activated again by pressing the traction control button.

If the system is limiting wheel spin when you press the button, the traction control off light will appear on the instrument panel cluster. The system will not turn off until there is no longer a current need to limit wheel spin. You can turn the system back on at any time by pressing the button again. If the light does not come on, you may not have traction control and your vehicle should be serviced by a dealer.

Adding non-SUZUKI accessories can affect your vehicle's performance. Refer to

"Accessories and Modifications" in "Service" in the "Service and Appearance Care" section for more information.

Electronic Stability Control

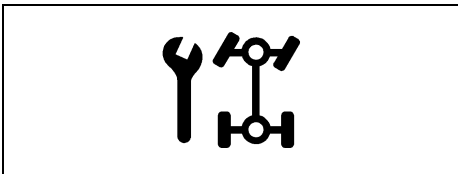
The Electronic Stability Control (ESC) system is an advanced computer controlled system that helps the driver maintain directional control of the vehicle in difficult driving conditions. This is accomplished by selectively applying any one of the vehicle's brakes and reducing engine power. The ESC system comes on automatically whenever you start your vehicle.

The SERVICE STABILITY CTRL message may be displayed in the DIC after first driving the vehicle and exceeding 30 mph 48 (km/h) for 30 seconds. The ESC system is off until the message has turned off. This could take up to 15 minutes. Refer to "DIC Warnings and Messages" in "Driver Information Center (DIC)" in the "Instrument Panel" section for more information.

The SERVICE STABILITY CTRL message will stay on if there is a problem with the system. When this message is on, the system is not operational. Adjust your driving accordingly. ESC can be turned off using the traction control button. To disable ESC, press and hold the traction control button for five seconds. ESC can be activated again by pressing the traction control button.

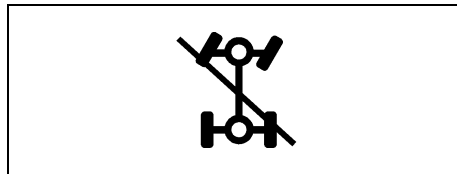
All-Wheel Drive (AWD) System

If your vehicle has all-wheel drive (AWD), the AWD system operates automatically without any action required by the driver. If the front drive wheels begin to slip, the rear wheels will automatically begin to drive the vehicle as required. Torque is also applied to the rear wheels during launches. There may be a slight engagement noise during hard use but this is normal.



1710820

This light and the SERVICE ALL WHEEL DRIVE message in the Driver Information Center (DIC) will come on and stay on to indicate that there may be a problem with the drive system and service is required. Refer to "Service All-Wheel Drive Light" in "Warning Lights, Gages, and Indicators" in the "Instrument Panel" section and "DIC Warnings and Messages" in "Driver Information Center (DIC)" in the "Instrument Panel" section for more information.



1710823

This light will come on along with the ALL WHEEL DRIVE OFF message when the rear drive system is overheating. This light will turn off when the rear drive system cools down. If this light stays on, it must be reset. To reset the light, turn the ignition off and then back again. If the light stays on, see your dealer for service.

Refer to "All Wheel Drive Off" under "DIC Warnings and Messages" in "Driver Information Center (DIC)" in the "Instrument Panel" section for more information.

Steering

Power Steering

If you lose power steering assist because the engine stops or the power steering system is not functioning, you can steer, but it will take more effort.

Steering Tips

It is important to take curves at a reasonable speed.

A lot of the "driver lost control" accidents mentioned on the news happen on curves. Here is why:

Experienced driver or beginner, each of us is subject to the same laws of physics when driving on curves. The traction of the tires against the road surface makes it possible for the vehicle to change its path when you turn the front wheels. If there is no traction, inertia will keep the vehicle going in the same direction. If you have ever tried to steer a vehicle on wet ice, you will understand this.

The traction you can get in a curve depends on the condition of your tires and the road surface, the angle at which the curve is banked, and your speed. While you are in a curve, speed is the one factor you can control.

Suppose you are steering through a sharp curve. Then you suddenly accelerate. Both control systems – steering and acceleration – have to do their work where the tires meet the road. Adding the sudden acceleration can demand too much of those places. You can lose control. Refer to "Traction Control System (TCS)" and "Electronic Stability Control" in this section.

What should you do if this ever happens? Ease up on the brake or accelerator pedal, steer the vehicle the way you want it to go, and slow down.

Speed limit signs near curves warn that you should adjust your speed. Of course, the posted speeds are based on good weather and road conditions. Under less

DRIVING YOUR VEHICLE

favorable conditions you will want to go slower.

If you need to reduce your speed as you approach a curve, do it before you enter the curve, while your front wheels are straight ahead.

Try to adjust your speed so you can “drive” through the curve. Maintain a reasonable, steady speed. Wait to accelerate until you are out of the curve, and then accelerate gently into the straightaway.

Adding non-Suzuki accessories can affect your vehicle’s performance. Refer to “Accessories and Modifications” in “Service” in the “Service and Appearance Care” section.

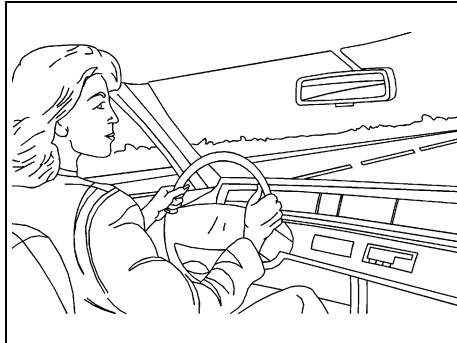
Steering in Emergencies

There are times when steering can be more effective than braking. For example, you come over a hill and find a truck stopped in your lane, or a car suddenly pulls out from nowhere, or a child darts out from between parked cars and stops right in front of you. You can avoid these problems by braking – if you can stop in time. But sometimes you cannot; there is not room. That is the time for evasive action – steering around the problem.

Your vehicle can perform very well in emergencies like these. First apply your brakes.

Refer to “Braking” in this section. It is better to remove as much speed as you can

from a possible collision. Then steer around the problem, to the left or right depending on the space available.



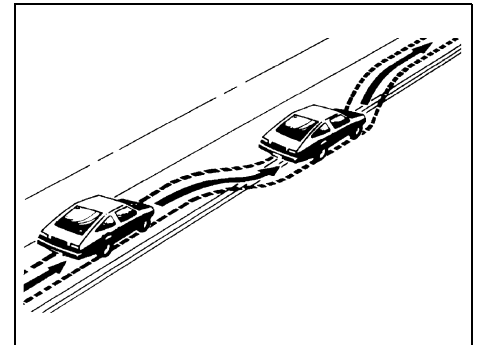
811539

An emergency like this requires close attention and a quick decision. If you are holding the steering wheel at the recommended 9 and 3 o'clock positions, you can turn it a full 180 degrees very quickly without removing either hand. But you have to act fast, steer quickly, and just as quickly straighten the wheel once you have avoided the object.

The fact that such emergency situations are always possible is a good reason to practice defensive driving at all times and wear safety belts properly.

Off-Road Recovery

You may find that your vehicle’s right wheels have dropped off the edge of a road onto the shoulder while you are driving.



810696

If the level of the shoulder is only slightly below the pavement, recovery should be fairly easy. Ease off the accelerator and then, if there is nothing in the way, steer so that your vehicle straddles the edge of the pavement. You can turn the steering wheel up to one-quarter turn until the right front tire contacts the pavement edge. Then turn your steering wheel to go straight down the roadway.

Passing

The driver of a vehicle about to pass another on a two-lane highway waits for just the right moment, accelerates, moves around the vehicle ahead, then goes back

DRIVING YOUR VEHICLE

into the right lane again. A simple maneuver?

Not necessarily! Passing another vehicle on a two-lane highway is a potentially dangerous move, since the passing vehicle occupies the same lane as oncoming traffic for several seconds. A miscalculation, an error in judgment, or a brief surrender to frustration or anger can suddenly put the passing driver face to face with the worst of all traffic accidents – the head-on collision.

So here are some tips for passing:

- Drive ahead. Look down the road, to the sides, and to crossroads for situations that might affect your passing patterns. If you have any doubt whatsoever about making a successful pass, wait for a better time.
- Watch for traffic signs, pavement markings, and lines. If you can see a sign up ahead that might indicate a turn or an intersection, delay your pass. A broken center line usually indicates it is all right to pass, providing the road ahead is clear. Never cross a solid line on your side of the lane or a double solid line, even if the road seems empty of approaching traffic.
- Do not get too close to the vehicle you want to pass while you are awaiting an opportunity. For one thing, following too closely reduces your area of vision, especially if you are following a larger vehicle. Also, you will not have adequate space if the vehicle ahead suddenly slows or stops. Keep back a reasonable distance.
- When it looks like a chance to pass is coming up, start to accelerate but stay in the right lane and do not get too close. Time your move so you will be increasing speed as the time comes to move into the other lane. If the way is clear to pass, you will have a running start that more than makes up for the distance you would lose by dropping back. And if something happens to cause you to cancel your pass, you need only slow down and drop back again and wait for another opportunity.
- If other vehicles are lined up to pass a slow vehicle, wait your turn. But take care that someone is not trying to pass you as you pull out to pass the slow vehicle. Remember to glance over your shoulder and check the blind spot.
- Check your vehicle's mirrors, glance over your shoulder, and start your left lane change signal before moving out of the right lane to pass. When you are far enough ahead of the passed vehicle to see its front in your vehicle's inside mirror, activate the right lane change signal and move back into the right lane. Remember that your vehicle's passenger side outside mirror is convex. The vehicle you just passed may seem to be farther away from you than it really is.

- Try not to pass more than one vehicle at a time on two-lane roads. Reconsider before passing the next vehicle.
- Do not overtake a slowly moving vehicle too rapidly. Even though the brake lamps are not flashing, it may be slowing down or starting to turn.
- If you are being passed, make it easy for the following driver to get ahead of you. Perhaps you can ease a little to the right.

Loss of Control

Let us review what driving experts say about what happens when the three control systems – brakes, steering, and acceleration – do not have enough friction where the tires meet the road to do what the driver has asked.

In any emergency, do not give up. Keep trying to steer and constantly seek an escape route or area of less danger.

Skidding

In a skid, a driver can lose control of the vehicle. Defensive drivers avoid most skids by taking reasonable care suited to existing conditions, and by not overdriving those conditions. But skids are always possible.

The three types of skids correspond to your vehicle's three control systems. In the braking skid, your wheels are not rolling. In the steering or cornering skid, too much speed or steering in a curve causes tires to slip and lose cornering force. And in the

DRIVING YOUR VEHICLE

acceleration skid, too much throttle causes the driving wheels to spin.

A cornering skid is best handled by easing your foot off the accelerator pedal.

Remember: Any traction control system helps avoid only the acceleration skid. If your traction system is off, then an acceleration skid is also best handled by easing your foot off the accelerator pedal. Refer to "Traction Control System (TCS)" and "Electronic Stability Control" in this section.

If your vehicle starts to slide, ease your foot off the accelerator pedal and quickly steer the way you want the vehicle to go. If you start steering quickly enough, your vehicle may straighten out. Always be ready for a second skid if it occurs.

Of course, traction is reduced when water, snow, ice, gravel, or other material is on the road. For safety, you will want to slow down and adjust your driving to these conditions. It is important to slow down on slippery surfaces because stopping distance will be longer and vehicle control more limited.

While driving on a surface with reduced traction, try your best to avoid sudden steering, acceleration, or braking, including reducing vehicle speed by shifting to a lower gear. Any sudden changes could cause the tires to slide. You may not realize the surface is slippery until your vehicle is skidding. Learn to recognize warning clues

– such as enough water, ice, or packed snow on the road to make a mirrored surface – and slow down when you have any doubt.

If you have the Anti-Lock Brake System (ABS), remember: It helps avoid only the braking skid. If you do not have ABS, then in a braking skid, where the wheels are no longer rolling, release enough pressure on the brakes to get the wheels rolling again. This restores steering control. Push the brake pedal down steadily when you have to stop suddenly. As long as the wheels are rolling, you will have steering control.

Remember: Any Anti-Lock Brake System (ABS) helps avoid only the braking skid.

Driving at Night

Night driving is more dangerous than day driving. One reason is that some drivers are likely to be impaired – by alcohol or drugs, with night vision problems, or by fatigue.

Here are some tips on night driving.

- Drive defensively.
- Do not drink and drive.
- Adjust the inside rearview mirror to reduce glare from headlamps behind you.
- Since you cannot see as well, you may need to slow down and keep more space between you and other vehicles.

- Slow down, especially on higher speed roads. Your vehicle's headlamps can light up only much road ahead.
- In remote areas, watch for animals.
- If you are tired, pull off the road in a safe place and rest.

No one can see as well at night as in the daytime. But as we get older these differences increase. A 50-year-old driver may require at least twice much light to see the same thing at night as a 20-year-old.

What you do in the daytime can also affect your night vision. For example, if you spend the day in bright sunshine you are wise to wear sunglasses. Your eyes will have less trouble adjusting to night. But if you are driving, do not wear sunglasses at night. They may cut down on glare from headlamps, but they also make a lot of things invisible.

You can be temporarily blinded by approaching headlamps. It can take a second or two, or even several seconds, for your eyes to re-adjust to the dark. When you are faced with severe glare, as from a driver who does not lower the high beams, or a vehicle with misaimed headlamps, slow down a little. Avoid staring directly into the approaching headlamps.

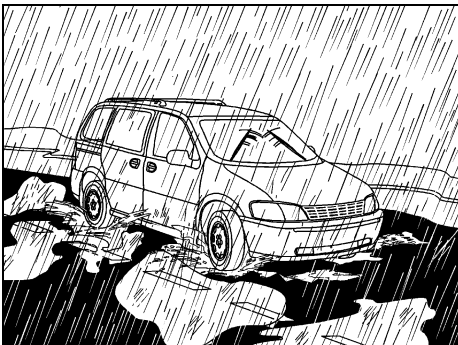
Keep the windshield and all the glass on your vehicle clean – inside and out. Glare at night is made much worse by dirt on the glass. Even the inside of the glass can

DRIVING YOUR VEHICLE

build up a film caused by dust. Dirty glass makes lights dazzle and flash more than clean glass would, making the pupils of your eyes contract repeatedly.

Remember that the headlamps light up far less of a roadway when you are in a turn or curve. Keep your eyes moving; that way, it is easier to pick out dimly lighted objects. Just as the headlamps should be checked regularly for proper aim, so should your eyes be examined regularly. Some drivers suffer from night blindness – the inability to see in dim light – and are not even aware of it.

Driving in Rain and on Wet Roads



Rain and wet roads can mean driving trouble. On a wet road, you cannot stop, accelerate, or turn as well because your tire-to-road traction is not as good as on dry

roads. And, if your tires do not have much tread left, you will get even less traction. It is always wise to go slower and be cautious if rain starts to fall while you are driving. The surface may get wet suddenly when your reflexes are tuned for driving on dry pavement.

The heavier the rain, the harder it is to see. Even if your windshield wiper blades are in good shape, a heavy rain can make it harder to see road signs and traffic signals, pavement markings, the edge of the road, and even people walking.

It is wise to keep your windshield wiper and washer system in good shape and keep your windshield washer fluid reservoir filled with washer fluid. Replace your windshield wiper inserts when they show signs of streaking or missing areas on the windshield, or when strips of rubber start to separate from the inserts.

▲ WARNING

Wet brakes can cause accidents. They may not work as well in a quick stop and may cause pulling to one side. You could lose control of the vehicle. After driving through a large puddle of water or a car wash, apply the brake pedal lightly until the brakes work normally.

Driving too fast through large water puddles or even going through some car

washes can cause problems, too. The water may affect your brakes. Try to avoid puddles. But if you cannot, try to slow down before you hit them.

Hydroplaning

Hydroplaning is dangerous. So much water can build up under your tires that they can actually ride on the water. This can happen if the road is wet enough and you are going fast enough. When your vehicle is hydroplaning, it has little or no contact with the road.

Hydroplaning does not happen often. But it can if your tires do not have much tread or if the pressure in one or more is low. It can happen if a lot of water is standing on the road. If you can see reflections from trees, telephone poles, or other vehicles, and raindrops dimple the water's surface, there could be hydroplaning.

Hydroplaning usually happens at higher speeds. There just is not a hard and fast rule about hydroplaning. The best advice is to slow down when it is raining.

DRIVING YOUR VEHICLE

Driving Through Deep Standing Water

CAUTION

If you drive too quickly through deep puddles or standing water, water can come in through the engine's air intake and badly damage the engine. Never drive through water that is slightly lower than the underbody of your vehicle. If you cannot avoid deep puddles or standing water, drive through them very slowly.

Driving Through Flowing Water

WARNING

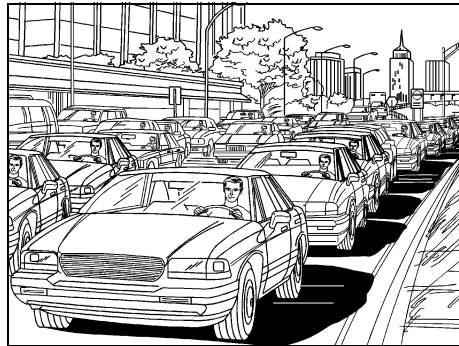
Flowing or rushing water creates strong forces. If you try to drive through flowing water, as you might at a low water crossing, your vehicle can be carried away. As little as six inches of flowing water can carry away a smaller vehicle. If this happens, you and other vehicle occupants could drown. Do not ignore police warning signs, and otherwise be very cautious about trying to drive through flowing water.

Some Other Rainy Weather Tips

- Turn on your low-beam headlamps – not just your parking lamps – to help make you more visible to others.

- Besides slowing down, allow some extra following distance. And be especially careful when you pass another vehicle. Allow yourself more clear room ahead, and be prepared to have your view restricted by road spray.
- Have good tires with proper tread depth. Refer to "Tires" in the "Service and Appearance Care" section.

City Driving



1527452

One of the biggest problems with city streets is the amount of traffic on them. You will want to watch out for what the other drivers are doing and pay attention to traffic signals.

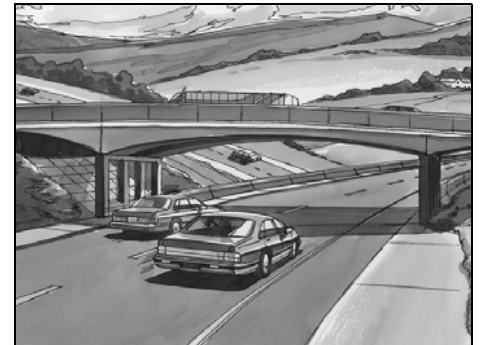
Here are ways to increase your safety in city driving:

- Know the best way to get to where you are going. Get a city map and plan your

trip into an unknown part of the city just as you would for a cross-country trip.

- Try to use the freeways that rim and crisscross most large cities. You will save time and energy. Refer to "Freeway Driving" in this section.
- Treat a green light as a warning signal. A traffic light is there because the corner is busy enough to need it. When a light turns green, and just before you start to move, check both ways for vehicles that have not cleared the intersection or may be running the red light.

Freeway Driving



808373

Mile for mile, freeways – also called thruways, parkways, expressways, turnpikes, or superhighways – are the safest of all roads. But they have their own special rules.

DRIVING YOUR VEHICLE

The most important advice on freeway driving is: Keep up with traffic and keep to the right. Drive at the same speed most of the other drivers are driving. Too-fast or too-slow driving breaks a smooth traffic flow. Treat the left lane on a freeway as a passing lane.

At the entrance, there is usually a ramp that leads to the freeway. If you have a clear view of the freeway as you drive along the entrance ramp, you should begin to check traffic. Try to determine where you expect to blend with the flow. Try to merge into the gap at close to the prevailing speed. Switch on your turn signal, check your mirrors, and glance over your shoulder as often as necessary. Try to blend smoothly with the traffic flow.

Once you are on the freeway, adjust your speed to the posted limit or to the prevailing rate if it is slower. Stay in the right lane unless you want to pass.

Before changing lanes, check your mirrors. Then use your turn signal.

Just before you leave the lane, glance quickly over your shoulder to make sure there is not another vehicle in your blind spot.

Once you are moving on the freeway, make certain you allow a reasonable following distance. Expect to move slightly slower at night.

When you want to leave the freeway, move to the proper lane well in advance. If you miss your exit, do not, under any circumstances, stop and back up. Drive on to the next exit.

The exit ramp can be curved, sometimes quite sharply. The exit speed is usually posted.

Reduce your speed according to your speedometer, not to your sense of motion. After driving for any distance at higher speeds, you may tend to think you are going slower than you actually are.

Before Leaving on a Long Trip

Make sure you are ready. Try to be well rested. If you must start when you are not fresh – such as after a day's work – do not plan to make too many miles that first part of the journey. Wear comfortable clothing and shoes you can easily drive in.

Is your vehicle ready for a long trip? If you keep it serviced and maintained, it is ready to go. If it needs service, have it done before starting out. Of course, you will find experienced and able service experts in dealerships all across North America. They will be ready and willing to help if you need it.

Here are some things you can check before a trip:

- Windshield Washer Fluid: Is the reservoir full? Are all windows clean inside and outside?
- Wiper Blades: Are they in good shape?
- Fuel, Engine Oil, Other Fluids: Have you checked all levels?
- Lamps: Are they all working? Are the lenses clean?
- Tires: They are vitally important to a safe, trouble-free trip. Is the tread good enough for long-distance driving? Are the tires all inflated to the recommended pressure?
- Weather Forecasts: What is the weather outlook along your route? Should you delay your trip a short time to avoid a major storm system?
- Maps: Do you have up-to-date maps?

Highway Hypnosis

Is there actually such a condition as highway hypnosis? Or is it just plain falling asleep at the wheel? Call it highway hypnosis, lack of awareness, or whatever.

There is something about an easy stretch of road with the same scenery, along with the hum of the tires on the road, the drone of the engine, and the rush of the wind against the vehicle that can make you sleepy. Do not let it happen to you! If it

DRIVING YOUR VEHICLE

does, your vehicle can leave the road in less than a second, and you could crash and be injured.

What can you do about highway hypnosis? First, be aware that it can happen.

Then here are some tips:

- Make sure your vehicle is well ventilated, with a comfortably cool interior.
- Keep your eyes moving. Scan the road ahead and to the sides. Check your vehicle's mirrors and instruments frequently.
- If you get sleepy, pull off the road into a rest, service, or parking area and take a nap, get some exercise, or both. For safety, treat drowsiness on the highway as an emergency.

Hill and Mountain Roads



806088

Driving on steep hills or mountains is different from driving in flat or rolling terrain.

If you drive regularly in steep country, or if you are planning to visit there, here are some tips that can make your trips safer and more enjoyable.

- Keep your vehicle in good shape. Check all fluid levels and also the brakes, tires, cooling system, and transaxle. These parts can work hard on mountain roads.

⚠ WARNING

If you do not shift down, the brakes could get so hot that they would not work well. You would then have poor braking or even none going down a hill. You could crash. Shift down to let the engine assist the brakes on a steep downhill slope.

⚠ WARNING

Coasting downhill in NEUTRAL (N) or with the ignition off is dangerous. The brakes will have to do all the work of slowing down. They could get so hot that they would not work well. You would then have poor braking or even none going down a hill. You could crash. Always have the engine running and your vehicle in gear when you go downhill.

- Know how to go down hills. The most important thing to know is this: let your engine do some of the slowing down. Shift to a lower gear when you go down a steep or long hill.
- Know how to go uphill. You may want to shift down to a lower gear. The lower gears help cool your engine and transaxle, and you can climb the hill better.
- Stay in your own lane when driving on two-lane roads in hills or mountains. Do not swing wide or cut across the center

DRIVING YOUR VEHICLE

of the road. Drive at speeds that let you stay in your own lane.

- As you go over the top of a hill, be alert. There could be something in your lane, like a stalled car or an accident.
- You may see highway signs on mountains that warn of special problems. Examples are long grades, passing or no-passing zones, a falling rocks area, or winding roads. Be alert to these and take appropriate action.

Winter Driving



808372

Here are some tips for winter driving:

- Have your vehicle in good shape for winter.
- You may want to put winter emergency supplies in your vehicle.

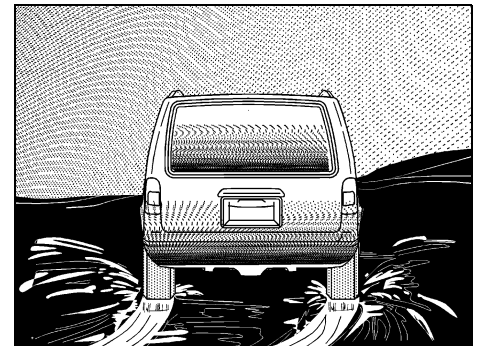
Also refer to “Tires” in the “Service and Appearance Care” section.

Include an ice scraper, a small brush or broom, a supply of windshield washer fluid, a rag, some winter outer clothing, a small shovel, a flashlight, a red cloth, and a couple of reflective warning triangles. And, if you will be driving under severe conditions, include a small bag of sand, a piece of old carpet, or a couple of burlap bags to help provide traction. Be sure you properly secure these items in your vehicle.

Driving on Snow or Ice

Most of the time, those places where the tires meet the road probably have good traction.

However, if there is snow or ice between the tires and the road, you can have a very slippery situation. You will have a lot less traction, or grip, and will need to be very careful.



808402

What is the worst time for this? Wet ice. Very cold snow or ice can be slick and hard to drive on. But wet ice can be even more trouble because it may offer the least traction of all. You can get wet ice when it is about freezing, 32°F (0°C), and freezing rain begins to fall. Try to avoid driving on wet ice until salt and sand crews can get there.

Whatever the condition – smooth ice, packed, blowing, or loose snow – drive with caution.

Traction control improves your ability to accelerate when driving on a slippery road. But you can turn the traction system off if you ever need to. You should turn the traction system off if your vehicle ever gets stuck in sand, mud, ice, or snow. Refer to “If Your Vehicle is Stuck in Sand, Mud, Ice, or Snow” in this section. Even though your

DRIVING YOUR VEHICLE

vehicle has a traction system, you will want to slow down and adjust your driving to the road conditions. Under certain conditions, you may want to turn the traction system off, such as when driving through deep snow and loose gravel, to help maintain vehicle motion at lower speeds. Refer to "Traction Control System (TCS)" and "Electronic Stability Control" in this section.

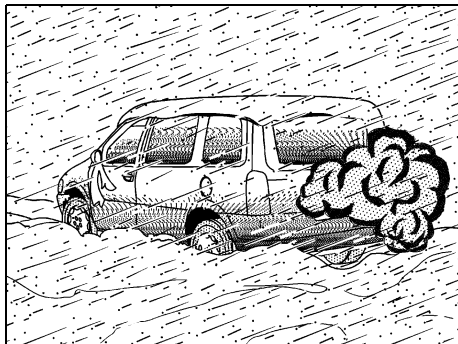
The Anti-Lock Brake System (ABS) improves your vehicle's stability when you make a hard stop on a slippery road. Even though you have ABS, you will want to begin stopping sooner than you would on dry pavement. Refer to "Anti-Lock Brake System (ABS)" in this section.

- Allow greater following distance on any slippery road.
- Watch for slippery spots. The road might be fine until you hit a spot that is covered with ice. On an otherwise clear road, ice patches may appear in shaded areas where the sun cannot reach, such as around clumps of trees, behind buildings, or under bridges. Sometimes the surface of a curve or an overpass may remain icy when the surrounding roads are clear. If you see a patch of ice ahead of you, brake before you are on it. Try not to brake while you are actually on the ice, and avoid sudden steering maneuvers.

If You Are Caught in a Blizzard

If you are stopped by heavy snow, you could be in a serious situation. You should probably stay with your vehicle unless you know for sure that you are near help and you can hike through the snow. Here are some things to do to summon help and keep yourself and your passengers safe:

- Turn on your hazard flashers.
- Tie a red cloth to your vehicle to alert police that you have been stopped by the snow.
- Put on extra clothing or wrap a blanket around you. If you do not have blankets or extra clothing, make body insulators from newspapers, burlap bags, rags, floor mats – anything you can wrap around yourself or tuck under your clothing to keep warm.



808411

You can run the engine to keep warm, but be careful.

⚠ WARNING

Snow can trap exhaust gases under your vehicle. This can cause deadly CO (carbon monoxide) gas to get inside. CO could overcome you and kill you. You cannot see it or smell it, so you might not know it is in your vehicle. Clear away snow from around the base of your vehicle, especially any that is blocking the exhaust pipe. And check around again from time to time to be sure snow does not collect there. Open a window just a little on the side of the vehicle that is away from the wind. This will help keep CO out.

Run your engine only as long as you must. This saves fuel. When you run the engine, make it go a little faster than just idle. That is, push the accelerator slightly. This uses less fuel for the heat that you get and it keeps the battery charged.

You will need a well-charged battery to restart the vehicle, and possibly for signaling later on with your headlamps. Let the heater run for a while.

Then, shut the engine off and close the window almost all the way to preserve the heat. Start the engine again and repeat this only when you feel really uncomfort-

able from the cold. But do it as little as possible. Preserve the fuel as long as you can. To help keep warm, you can get out of the vehicle and do some fairly vigorous exercises every half hour or so until help comes.

If Your Vehicle is Stuck in Sand, Mud, Ice, or Snow

In order to free your vehicle when it is stuck, you will need to spin the wheels, but you do not want to spin your wheels too fast. The method known as rocking can help you get out when you are stuck, but you must use caution.

⚠ WARNING

If you let your vehicle's tires spin at high speed, they can explode, and you or others could be injured. And, the transaxle or other parts of the vehicle can overheat. That could cause an engine compartment fire or other damage. When you are stuck, spin the wheels as little as possible. Do not spin the wheels above 35 mph (55 km/h) as shown on the speedometer.

CAUTION

Spinning the wheels can destroy parts of your vehicle as well as the tires. If you spin the wheels too fast while shifting the transaxle back and forth, you can destroy the transaxle. Refer to "Rocking Your Vehicle to Get It Out" in this section.

For information about using tire chains on your vehicle, refer to "Tire Chains" in "Tires" in the "Service and Appearance Care" section.

Rocking Your Vehicle to Get It Out

First, turn the steering wheel left and right. That will clear the area around the front wheels. If your vehicle has traction control, you should turn the traction control system off. Refer to "Traction Control System (TCS)" in this section. Then shift back and forth between REVERSE (R) and a forward gear, spinning the wheels as little as possible. Release the accelerator pedal while you shift, and press lightly on the accelerator pedal when the transaxle is in gear. By slowly spinning the wheels in the forward and reverse directions, you will cause a rocking motion that may free your vehicle. If that does not get your vehicle out after a few tries, it may need to be towed out. If your vehicle does need to be towed out, refer to "Towing Your Vehicle" in this section.

DRIVING YOUR VEHICLE

Loading Your Vehicle

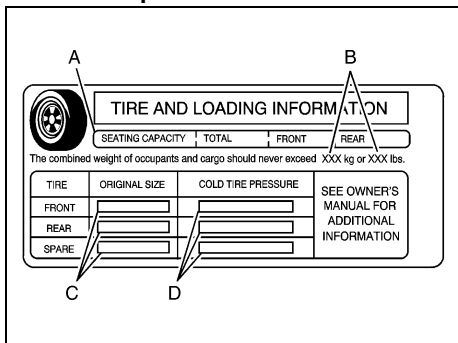
It is very important to know how much weight your vehicle can carry. Two labels on your vehicle show how much weight it may properly carry, the Tire and Loading Information label and the Vehicle Certification label.

⚠ WARNING

Do not load your vehicle any heavier than the Gross Vehicle Weight Rating (GVWR), or either the maximum front or rear Gross Axle Weight Rating (GAWR). If you do, parts on your vehicle can break, and it can change the way your vehicle handles. These could cause you to lose control and crash. Also, overloading can shorten the life of your vehicle.

DRIVING YOUR VEHICLE

Tire and Loading Information Label Label Example



A vehicle specific Tire and Loading Information label is attached to the vehicle's center pillar (B-pillar). With the driver's door open, you will find the label attached below the door lock post (striker). The tire and loading information label lists the number of occupant seating positions (A), and the maximum vehicle capacity weight (B) in kilograms and pounds. The vehicle capacity weight includes the weight of all occupants, cargo, and all nonfactory-installed options.

The Tire and Loading Information label also lists the tire size of the original equipment tires (C) and the recommended cold tire inflation pressures (D). For more information on tires and inflation, refer to "Tires" in the "Service and Appearance Care" sec-

tion and "Inflation - Tire Pressure" in "Tires" in the "Service and Appearance Care" section.

There is also important loading information on the Certification/Tire label. It tells you the Gross Vehicle Weight Rating (GVWR) and the Gross Axle Weight Rating (GAWR) for the front and rear axles. See "Certification/Tire Label" later in this section.

Steps for Determining Correct Load Limit

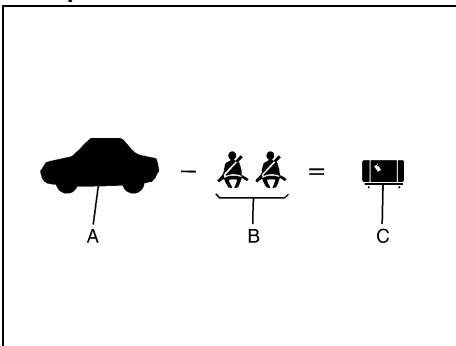
- 1) Locate the statement "The combined weight of occupants and cargo should never exceed XXX kg or XXX lbs" on your vehicle's placard.
- 2) Determine the combined weight of the driver and passengers that will be riding in your vehicle.
- 3) Subtract the combined weight of the driver and passengers from XXX kg or XXX lbs.
- 4) The resulting figure equals the available amount of cargo and luggage load capacity. For example, if the "XXX" amount equals 1400 lbs and there will be five 150 lb passengers in your vehicle, the amount of available cargo and luggage load capacity is 650 lbs ($1400 - 750 (5 \times 150) = 650$ lbs).
- 5) Determine the combined weight of luggage and cargo being loaded on the vehicle. That weight may not safely exceed the available cargo and luggage load capacity calculated in Step 4.

- 6) If your vehicle will be towing a trailer, the load from your trailer will be transferred to your vehicle. Consult this manual to determine how this reduces the available cargo and luggage load capacity for your vehicle.

If your vehicle can tow a trailer, refer to "Towing a Trailer" in this section for important information on towing a trailer, towing safety rules, and trailering tips.

DRIVING YOUR VEHICLE

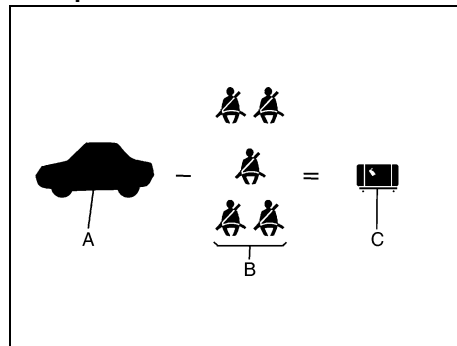
Example 1



1273153

Item	Description	Total
A	Maximum Vehicle Capacity Weight for Example 1 =	1000 lbs (453 kg)
B	Subtract Occupant Weight 150 lbs (68 kg) x 2 =	300 lbs (136 kg)
C	Available Occupant and Cargo Weight =	700 lbs (317 kg)

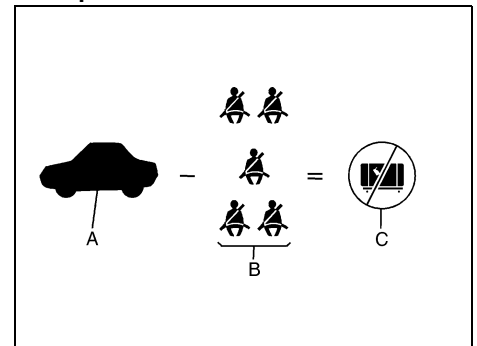
Example 2



1273154

Item	Description	Total
A	Maximum Vehicle Capacity Weight for Example 2 =	1000 lbs (453 kg)
B	Subtract Occupant Weight 150 lbs (68 kg) x 2 =	750 lbs (340 kg)
C	Available Occupant Weight =	250 lbs (113 kg)

Example 3



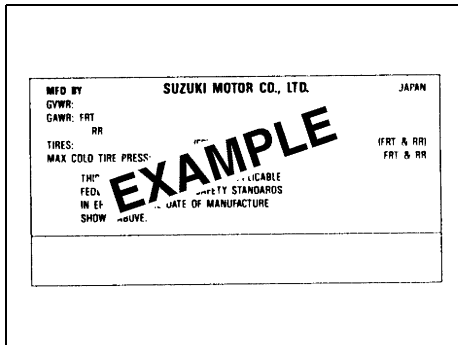
1273155

Item	Description	Total
A	Maximum Vehicle Capacity Weight for Example 3 =	1000 lbs (453 kg)
B	Subtract Occupant Weight 200 lbs (91 kg) x 5 =	1000 lbs (453 kg)
C	Available Cargo Weight =	0 lbs (0 kg)

Refer to your vehicle's tire and loading information label for specific information about your vehicle's maximum vehicle capacity weight and seating positions. The combined weight of the driver, passengers, and cargo should never exceed your vehicle's maximum vehicle capacity weight.

DRIVING YOUR VEHICLE

Certification Label



A vehicle specific Certification/Tire label is found on the rear edge of the driver's door.

The label shows the size of your original tires and the inflation pressures needed to obtain the gross weight capacity of your vehicle. This is called the Gross Vehicle Weight Rating (GVWR). The GVWR includes the weight of the vehicle, all occupants, fuel, and cargo.

The Certification/Tire label also tells you the maximum weights for the front and rear axles, called the Gross Axle Weight Rating (GAWR). To find out the actual loads on your front and rear axles, you need to go to a weigh station and weigh your vehicle. Your dealer can help you with this. Be sure to spread out your load equally on both sides of the centerline.

Never exceed the GVWR for your vehicle or the GAWR for either the front or rear axle.

⚠ WARNING

Do not load your vehicle any heavier than the Gross Vehicle Weight Rating (GVWR), or either the maximum front or rear Gross Axle Weight Rating (GAWR). If you do, parts on your vehicle can break, and it can change the way your vehicle handles. These could cause you to lose control and crash. Also, overloading can shorten the life of your vehicle.

⚠ WARNING

Overloading your vehicle may cause damage. Repairs would not be covered by your warranty. Do not overload your vehicle.

If you put things inside your vehicle – like suitcases, tools, packages, or anything else – they will go as fast as the vehicle goes. If you have to stop or turn quickly, or if there is a crash, they will keep going.

⚠ WARNING

Things you put inside your vehicle can strike and injure people in a sudden stop or turn, or in a crash.

- Put things in the cargo area of your vehicle. Try to spread the weight evenly.
- Never stack heavier things, like suitcases, inside the vehicle so that some of them are above the tops of the seats.
- Do not leave an unsecured child restraint in your vehicle.
- When you carry something inside the vehicle, secure it whenever you can.
- Do not leave a seat folded down unless you need to.

Towing

Towing Your Vehicle

Consult your dealer or a professional towing service if you need to have your disabled vehicle towed.

If you want to tow your vehicle behind another vehicle for recreational purposes (such as behind a motorhome), refer to "Recreational Vehicle Towing" following.

Recreational Vehicle Towing

Recreational vehicle towing means towing your vehicle behind another vehicle – such as behind a motorhome. The two most common types of recreational vehicle towing are known as "dinghy towing" (towing your vehicle with all four wheels on the ground) and "dolly towing" (towing your vehicle with two wheels on the ground and two wheels up on a device known as a "dolly").

With the proper preparation and equipment, many vehicles can be towed in these ways. See "Dinghy Towing" and "Dolly Towing", following.

Here are some important things to consider before you do recreational vehicle towing:

- What's the towing capacity of the towing vehicle? Be sure you read the tow vehicle manufacturer's recommendations.

- How far will you tow? Some vehicles have restrictions on how far and how long they can tow.
- Do you have the proper towing equipment? See your dealer or trailering professional for additional advice and equipment recommendations.
- Is your vehicle ready to be towed? Just as you would prepare your vehicle for a long trip, you'll want to make sure your vehicle is prepared to be towed. Refer to "Before Leaving on a Long Trip" in this section.

Dinghy Towing

CAUTION

Towing an all-wheel-drive vehicle with all four wheels or even only two wheels on the ground will damage drivetrain or transmission components. Towing a front-wheel-drive vehicle with all four wheels on the ground will damage drivetrain or transmission components. Do not tow an all-wheel-drive vehicle with two or four wheels on the ground or a front-wheel-drive vehicle if all four wheels will be on the ground.

If you have an all-wheel-drive vehicle or a front-wheel-drive vehicle, it was not designed to be towed with all of its wheels on the ground. It can be towed with car carrier equipment. If you have a front-

wheel-drive vehicle, it can be towed with its two front wheels off the ground. See "Dolly Towing" following.

Dolly Towing

If you have a front-wheel-drive vehicle, it can be towed with the two front wheels off the ground. To dolly tow your vehicle, do the following:

- 1) Put the front wheels on a dolly.
- 2) Put the vehicle in PARK (P).
- 3) Set the parking brake and then remove the key.
- 4) Clamp the steering wheel in a straight-ahead position with a clamping device designed for towing.
- 5) Release the parking brake.

CAUTION

Towing an all-wheel-drive vehicle with all four wheels or even only two wheels on the ground will damage drivetrain or transmission components. Towing a front-wheel-drive vehicle with all four wheels on the ground will damage drivetrain or transmission components. Do not tow an all-wheel-drive vehicle with two or four wheels on the ground or a front-wheel-drive vehicle if all four wheels will be on the ground.

If you have an all-wheel-drive vehicle, it cannot be towed with any of its wheels on

DRIVING YOUR VEHICLE

the ground. It can be towed with car carrier equipment.

Level Control

Your vehicle may have this feature. This self-adjusting type of level control is fully automatic and will provide a better leveled riding position as well as better handling under a variety of passenger and loading conditions. The system is activated when sufficient weight is added to the vehicle, and will automatically adjust vehicle height thereafter. A hydraulic pump inside each rear shock absorber raises the rear of the vehicle to the proper height, based on inputs from the road surface, while the vehicle is being driven. It takes approximately two miles (3.2 km) of driving for the leveling to complete, depending on the road surface conditions.

If the loaded vehicle is not moved for approximately twelve hours, the leveling system may bleed down to a lower height. This can be especially apparent if a trailer is left attached to a parked vehicle for long periods of time. The vehicle must be driven to re-level the vehicle. If a self-equalizing hitch is being used, the vehicle should be driven approximately two miles (3.2 km) with the trailer prior to adjusting (leveling) the hitch.

Towing a Trailer

WARNING

If you do not use the correct equipment and drive properly, you can lose control when you pull a trailer. For example, if the trailer is too heavy, the brakes may not work well – or even at all. You and your passengers could be seriously injured. Pull a trailer only if you have followed all the steps in this section. Ask your dealer for advice and information about towing a trailer with your vehicle.

CAUTION

Pulling a trailer improperly can damage your vehicle and result in costly repairs that would not be covered by your warranty. Always follow the instructions in this section and check with your dealer for more information about towing a trailer with your vehicle.

To identify the trailering capacity of your vehicle, you should read the information in “Weight of the Trailer” that appears later in this section. Trailering is different than just driving your vehicle by itself. Trailering means changes in handling, acceleration, braking, durability, and fuel economy. Suc-

cessful, safe trailering takes correct equipment, and it has to be used properly.

That is the reason for this section. In it are many time-tested, important trailering tips and safety rules. Many of these are important for your safety and that of your passengers. So please read this section carefully before you pull a trailer.

If You Do Decide To Pull A Trailer

If you do, here are some important points:

- There are many different laws, including speed limit restrictions, having to do with trailering. Make sure your rig will be legal, not only where you live but also where you will be driving. A good source for this information can be state or provincial police.
- Consider using a sway control. Refer to “Hitches” later in this section.
- Do not tow a trailer at all during the first 500 miles (800 km) your new vehicle is driven. Your engine, axle or other parts could be damaged.
- During the first 500 miles (800 km) that you tow a trailer, do not drive over 50 mph (80 km/h) and do not make starts at full throttle. This helps your engine and other parts of your vehicle wear in at the heavier loads.

Three important considerations have to do with weight:

- Weight of the trailer
- Weight of the trailer tongue
- Weight on your vehicle's tires

Weight of the Trailer

How heavy can a trailer safely be?

Your vehicle can tow up to 2,900 lbs (1300 kg) with up to five occupants or up to 3,500 lbs (1575 kg) with up to two occupants. But even that can be too heavy.

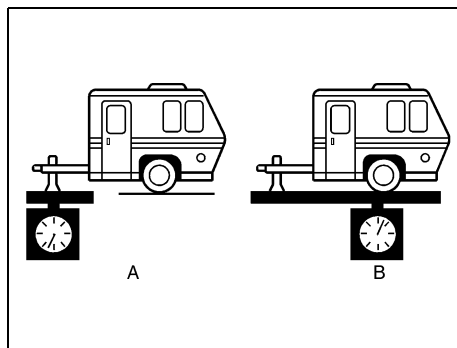
It depends on how you plan to use your rig. For example, speed, altitude, road grades, outside temperature and how much your vehicle is used pull a trailer are all important. It can also depend on any special equipment that you have on your vehicle, and the amount of tongue weight vehicle can carry. Refer to "Weight of the Trailer Tongue" later in this section for more information.

Maximum trailer weight is calculated assuming only the driver is in the tow vehicle and it has all the required trailering equipment. The weight of additional optional equipment, passengers and cargo in the tow vehicle must be subtracted from the maximum trailer weight.

You can ask your dealer for our trailering information or advice, or you can write us at our Customer Assistance Offices.

Weight of the Trailer Tongue

The tongue load (A) of any trailer is an important weight to measure because it affects the total or gross weight of your vehicle. The Gross Vehicle Weight (GVW) includes the curb weight of the vehicle, any cargo you may carry in it, and the people who will be riding in the vehicle. If you have a lot of options, passengers, or cargo in the vehicle, it will reduce the tongue weight your vehicle can carry, which will also reduce the trailer weight your vehicle can tow. And if you will tow a trailer, you must add the tongue load to the GVW because your vehicle will be carrying that weight, too. Refer to "Loading Your Vehicle" in this section for more information about your vehicle's maximum load capacity.



If you are using a weight-carrying or a weight-distributing hitch, the trailer tongue weight (A) should be 10 percent to 15 per-

cent of the total loaded trailer weight (B). Do not exceed the maximum allowable tongue weight for your vehicle (400 lbs/181 kg).

After you have loaded your trailer, weigh the trailer and then the tongue, separately, to see if the weights are proper. If they are not, you may be able to get them right simply by moving some items around in the trailer.

Total Weight on Your Vehicle's Tires

Be sure your vehicle's tires are inflated to the upper limit for cold tires. You will find these numbers on the Certification/Tire Label at the rear edge of the driver's door, or refer to "Loading Your Vehicle" in this section. Then be sure you do not go over the GVW limit for your vehicle, including the weight of the trailer tongue.

Hitches

It is important to have the correct hitch equipment. Crosswinds, large trucks going by and rough roads are a few reasons why you will need the right hitch. Here are some rules to follow:

- If you will be pulling a trailer that, when loaded, will weigh more than 2000 lbs (900 kg), be sure to use a properly mounted, weight-carrying hitch and sway control of the proper size. This equipment is very important for proper vehicle loading and good handling when you're driving.

DRIVING YOUR VEHICLE

DRIVING YOUR VEHICLE

- Will you have to make any holes in the body of your vehicle when you install a trailer hitch?

If you do, remember to seal the holes when you remove the hitch. If you do not seal them, deadly carbon monoxide (CO) from your exhaust can get into your vehicle. Refer to “Engine Exhaust” in “Starting and Operating Your Vehicle” in the “Features and Controls” section. Dirt and water can, too.

Safety Chains

You should always attach chains between your vehicle and your trailer. Cross the safety chains under the tongue of the trailer to help prevent the tongue from contacting the road if it becomes separated from the hitch. Instructions about safety chains may be provided by the hitch manufacturer or by the trailer manufacturer. Follow the manufacturer’s recommendation for attaching safety chains and do not attach them to the bumper. Always leave just enough slack so you can turn with your rig. Never allow safety chains to drag on the ground.

Trailer Brakes

If your trailer weighs more than 1000 lbs (450 kg) loaded, then it needs its own brakes, and they must be adequate. Be sure to read and follow the instructions for the trailer brakes so you will be able to install, adjust and maintain them properly.

Because your vehicle has anti-lock brakes, do not try to tap into your vehicle’s brake system. If you do, both brake systems will not work well, or at all.

Driving with a Trailer

WARNING

If you have the liftgate open and you pull a trailer with your vehicle, carbon monoxide (CO) could come into your vehicle. You cannot see or smell CO. It can cause unconsciousness or death. Refer to “Engine Exhaust” in “Starting and Operating Your Vehicle” in the “Features and Controls” section. To maximize your safety when towing a trailer:

- Have your exhaust system inspected for leaks, and make necessary repairs before starting on your trip.
- Keep the liftgate closed.
- If exhaust does come into your vehicle through a window in the rear or another opening, drive with your front, main heating or cooling system on and with the fan on any speed. This will bring fresh, outside air into your vehicle. Do not use the climate control setting for maximum air because it only recirculates the air inside your vehicle. Refer to “Automatic Climate Control System” in “Climate Controls” in the “Instrument Panel” section.

Towing a trailer requires a certain amount of experience. Before setting out for the open road, you will want to get to know

DRIVING YOUR VEHICLE

your rig. Acquaint yourself with the feel of handling and braking with the added weight of the trailer. And always keep in mind that the vehicle you are driving is now a good deal longer and not nearly as responsive as your vehicle is by itself.

Before you start, check all trailer hitch parts and attachments, safety chains, electrical connector, lamps, tires and mirror adjustment. If the trailer has electric brakes, start your vehicle and trailer moving and then apply the trailer brake controller by hand to be sure the brakes are working. This lets you check your electrical connection at the same time.

During your trip, check occasionally to be sure that the load is secure, and that the lamps and any trailer brakes are still working.

Following Distance

Stay at least twice as far behind the vehicle ahead as you would when driving your vehicle without a trailer. This can help you avoid situations that require heavy braking and sudden turns.

Passing

You will need more passing distance up ahead when you are towing a trailer. And, because you are a good deal longer, you will need to go much farther beyond the passed vehicle before you can return to your lane.

Backing Up

Hold the bottom of the steering wheel with one hand. Then, to move the trailer to the left, just move that hand to the left. To move the trailer to the right, move your hand to the right. Always back up slowly and, if possible, have someone guide you.

Making Turns

CAUTION

Making very sharp turns while trailering could cause the trailer to come in contact with the vehicle. Your vehicle could be damaged. Avoid making very sharp turns while trailering.

When you are turning with a trailer, make wider turns than normal. Do this so your trailer will not strike soft shoulders, curbs, road signs, trees or other objects. Avoid jerky or sudden maneuvers. Signal well in advance.

Turn Signals When Towing a Trailer

When you tow a trailer, your vehicle has to have extra wiring.

The arrows on your instrument panel will flash whenever you signal a turn or lane change. Properly hooked up, the trailer lamps will also flash, telling other drivers you are about to turn, change lanes or stop.

When towing a trailer, the arrows on your instrument panel will flash for turns even if the bulbs on the trailer are burned out. Thus, you may think drivers behind you are seeing your signal when they are not. It's important to check occasionally to be sure the trailer bulbs are still working.

Driving On Grades

Reduce speed and shift to a lower gear before you start down a long or steep downgrade. If you do not shift down, you might have to use your brakes so much that they would get hot and no longer work well.

Parking on Hills

⚠ WARNING

You really should not park your vehicle, with a trailer attached, on a hill. If something goes wrong, your rig could start to move. People can be injured, and both your vehicle and the trailer can be damaged.

But if you ever have to park your rig on a hill, do the following:

- 1) Apply your regular brakes, but do not shift into PARK (P) yet.
- 2) Have someone place chocks under the trailer wheels.
- 3) When the wheel chocks are in place, release the regular brakes until the chocks absorb the load.

DRIVING YOUR VEHICLE

- 4) Reapply the regular brakes. Then apply your parking brake, and then shift to PARK (P).
- 5) Release the regular brakes.

When You Are Ready to Leave After Parking on a Hill

- 1) Apply your regular brakes and hold the pedal down while you do the following:
 1. Start your engine.
 2. Shift into a gear.
 3. Release the parking brake.
- 2) Let up on the brake pedal.
- 3) Drive slowly until the trailer is clear of the chocks.
- 4) Stop and have someone pick up and store the chocks.

Maintenance When Trailer Towing

Your vehicle will need service more often when you are pulling a trailer. See the Maintenance Schedule for more on this. Things that are especially important in trailer operation are automatic transaxle fluid, engine oil, belts, cooling system and brake system. Each of these is covered in this manual, and the Index will help you find them quickly. If you are trailering, it is a good idea to review these sections before you start your trip.

Check periodically to see that all hitch nuts and bolts are tight.

SERVICE AND APPEARANCE CARE

SERVICE AND APPEARANCE CARE

Service	5-1
Fuel	5-2
Checking Things Under the Hood	5-5
All-Wheel Drive	5-22
Bulb Replacement	5-23
Windshield Wiper Blade Replacement	5-25
Tires	5-26
Appearance Care	5-48
Vehicle Identification	5-52
Electrical System	5-53
Capacities and Specifications	5-57

SERVICE AND APPEARANCE CARE

Service

Your dealer knows your vehicle best and wants you to be happy with it. We hope you will go to your dealer for all your service and parts needs.

Accessories and Modifications

When you add non-Suzuki accessories to your vehicle they can affect your vehicle's performance and safety, including such things as, airbags, braking, stability, ride and handling, emissions systems, aerodynamics, durability, and electronic systems like anti-lock brakes, traction control, and stability control. Some of these accessories may even cause malfunction or damage not covered by warranty.

Suzuki accessories are designed to complement and function with other systems on your vehicle. Your Suzuki dealer can accessorize your vehicle using genuine Suzuki accessories. When you go to your Suzuki dealer and ask for Suzuki accessories, you will know that Suzuki-trained and supported service technicians will perform the work using genuine Suzuki accessories.

California Proposition 65 Warning

Most motor vehicles, including this one, contain and/or emit chemicals known to the State of California to cause cancer and birth defects or other reproductive harm. Engine exhaust, many parts and systems (including some inside the vehicle), many fluids, and some component wear by-products contain and/or emit these chemicals.

Doing Your Own Service Work

WARNING

You can be injured and your vehicle could be damaged if you try to do service work on a vehicle without knowing enough about it.

- **Be sure you have sufficient knowledge, experience, the proper replacement parts, and tools before you attempt any vehicle maintenance task.**
- **Be sure to use the proper nuts, bolts, and other fasteners. English and metric fasteners can be easily confused. If you use the wrong fasteners, parts can later break or fall off. You could be hurt.**

If you want to do some of your own service work, you will want to use the proper service manual. It tells you much more about how to service your vehicle than this manual can.

Your vehicle has an airbag system. Before attempting to do your own service work, refer to "Servicing Your Airbag-Equipped Vehicle" in "Airbag System" in the "Seats and Restraint Systems" section.

You should keep a record with all parts receipts and list the mileage and the date of any service work you perform. Refer to "Maintenance Record" in "Maintenance Schedule" in the "Maintenance Schedule" section.

Adding Equipment to the Outside of Your Vehicle

Things you might add to the outside of your vehicle can affect the airflow around it. This may cause wind noise and affect windshield washer performance. Check with your dealer before adding equipment to the outside of your vehicle.

SERVICE AND APPEARANCE CARE

Fuel

Use of the recommended fuel is an important part of the proper maintenance of your vehicle. To help keep the engine clean and maintain optimum vehicle performance, we recommend the use of gasoline advertised as TOP TIER Detergent Gasoline.

Gasoline Octane

Use regular unleaded gasoline with a posted octane rating of 87 or higher. If the octane rating is less than 87, you may notice an audible knocking noise when you drive, commonly referred to as spark knock. If this occurs, use a gasoline rated at 87 octane or higher as soon as possible. If you are using gasoline rated at 87 octane or higher and you hear heavy knocking, your engine needs service.

Gasoline Specifications

At a minimum, gasoline should meet ASTM specification D 4814 in the United States or CAN/CGSB-3.5 in Canada. Some gasolines contain an octane-enhancing additive called methylcyclopentadienyl manganese tricarbonyl (MMT). We recommend against the use of gasolines containing MMT. Refer to "Additives" in this section for additional information.

California Fuel

If your vehicle is certified to meet California Emissions Standards, it is designed to operate on fuels that meet California specifications. See the underhood emission control label. If this fuel is not available in states adopting California emissions standards, your vehicle will operate satisfactorily on fuels meeting federal specifications, but emission control system performance may be affected. The malfunction indicator lamp may turn on and your vehicle may fail a smog-check test. Refer to "Malfunction Indicator Lamp" in "Warning Lights, Gages, and Indicators" in the "Instrument Panel" section. If this occurs, return to your authorized dealer for diagnosis. If it is determined that the condition is caused by the type of fuel used, repairs may not be covered by your warranty.

Additives

To provide cleaner air, all gasolines in the United States are now required to contain additives that will help prevent engine and fuel system deposits from forming, allowing your emission control system to work properly. In most cases, you should not have to add anything to your fuel. However, some gasolines contain only the minimum amount of additive required to meet U.S. Environmental Protection Agency regulations. To help keep fuel injectors and intake valves clean, or if your vehicle experiences problems due to dirty injectors or valves, look for gasoline that is advertised as TOP TIER Detergent Gasoline. Also, your dealer has additives that will help correct and prevent most deposit-related problems.

Gasolines containing oxygenates, such as ethers and ethanol, and reformulated gasolines may be available in your area. We recommend that you use these gasolines, if they comply with the specifications described earlier. However, E85 (85% ethanol) and other fuels containing more than 10% ethanol must not be used in vehicles that were not designed for those fuels.

SERVICE AND APPEARANCE CARE

CAUTION

Your vehicle was not designed for fuel that contains methanol. Do not use fuel containing methanol. It can corrode metal parts in the fuel system and also damage plastic and rubber parts. That damage would not be covered under your warranty.

Some gasolines that are not reformulated for low emissions may contain an octane-enhancing additive called methylcyclopentadienyl manganese tricarbonyl (MMT); ask the attendant where you buy gasoline whether the fuel contains MMT. We recommend against the use of such gasolines. Fuels containing MMT can reduce the life of spark plugs and the performance of the emission control system may be affected. The malfunction indicator lamp may turn on. If this occurs, return to your dealer for service.

Fuels in Foreign Countries

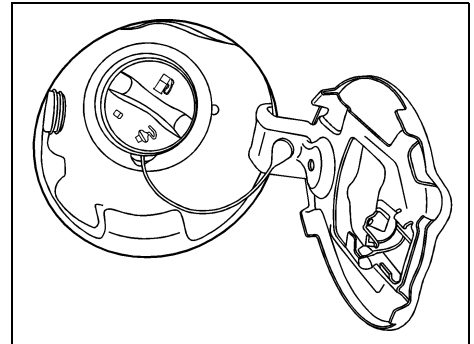
If you plan on driving in another country outside the United States or Canada, the proper fuel might be hard to find. Never use leaded gasoline or any other fuel not recommended in the previous text on fuel. Costly repairs caused by use of improper fuel would not be covered by your warranty.

To check the fuel availability, ask an auto club, or contact a major oil company that does business in the country where you will be driving.

Filling the Tank

⚠ WARNING

Fuel vapor burns violently and a fuel fire can cause bad injuries. To help avoid injuries to you and others, read and follow all the instructions on the pump island. Turn off your engine when you are refueling. Do not smoke if you are near fuel or refueling your vehicle. Do not use cellular phones. Keep sparks, flames, and smoking materials away from fuel. Do not leave the fuel pump unattended when refueling your vehicle. This is against the law in some places. Do not re-enter vehicle while pumping fuel. Keep children away from the fuel pump; never let children pump fuel.



1733916

The tethered fuel cap is located behind a hinged fuel door on the passenger's side of the vehicle.

To remove the fuel cap, turn it slowly counterclockwise. The fuel cap has a spring in it; if the cap is released too soon, it will spring back to the right.

⚠ WARNING

If you spill fuel and then something ignites it, you could be badly burned. Fuel can spray out on you if you open the fuel cap too quickly. This spray can happen if your tank is nearly full, and is more likely in hot weather. Open the fuel cap slowly and wait for any hiss noise to stop. Then unscrew the cap all the way.

SERVICE AND APPEARANCE CARE

Be careful not to spill fuel. Do not top off or overfill the tank and wait a few seconds after you have finished pumping before removing the nozzle. Clean fuel from painted surfaces as soon as possible. Refer to "Washing Your Vehicle" in this section.

When replacing the fuel cap, turn it clockwise until it clicks. Make sure the cap is fully installed. The diagnostic system can determine if the fuel cap has been left off or improperly installed. This would allow fuel to evaporate into the atmosphere. Refer to "Malfunction Indicator Lamp" in "Warning Lights, Gages, and Indicators" in the "Instrument Panel" section.

WARNING

If a fire starts while you are refueling, do not remove the nozzle. Shut off the flow of fuel by shutting off the pump or by notifying the station attendant. Leave the area immediately.

CAUTION

If you need a new fuel cap, be sure to get the right type. Your dealer can get one for you. If you get the wrong type, it may not fit properly. This may cause your malfunction indicator lamp to light and may damage your fuel tank and emissions system. Refer to "Malfunction Indicator Lamp" in "Warning Lights, Gages, and Indicators" in the "Instrument Panel" section.

Filling a Portable Fuel Container

WARNING

Never fill a portable fuel container while it is in your vehicle. Static electricity discharge from the container can ignite the gasoline vapor. You can be badly burned and your vehicle damaged if this occurs. To help avoid injury to you and others:

- Dispense gasoline only into approved containers.
- Do not fill a container while it is inside a vehicle, in a vehicle's trunk, pickup bed, or on any surface other than the ground.
- Bring the fill nozzle in contact with the inside of the fill opening before operating the nozzle. Contact should be maintained until the filling is complete.
- Do not smoke while pumping gasoline.
- Do not use a cellular phone while pumping gasoline.

SERVICE AND APPEARANCE CARE

Checking Things Under the Hood

⚠ WARNING

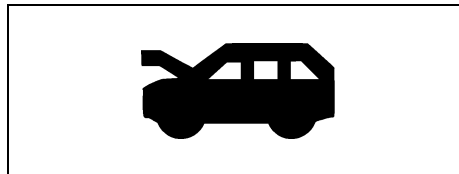
An electric fan under the hood can start up and injure you even when the engine is not running. Keep hands, clothing, and tools away from any underhood electric fan.

⚠ WARNING

Things that burn can get on hot engine parts and start a fire. These include liquids like fuel, oil, coolant, brake fluid, windshield washer and other fluids, and plastic or rubber. You or others could be burned. Be careful not to drop or spill things that will burn onto a hot engine.

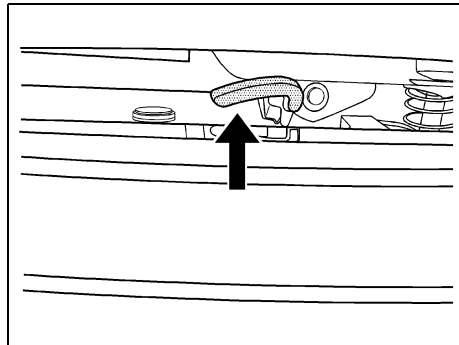
Hood Release

To open the hood, do the following:



1617949

- 1) Pull the handle with this symbol on it. It is located inside the vehicle, to the left of the steering column.



1733505

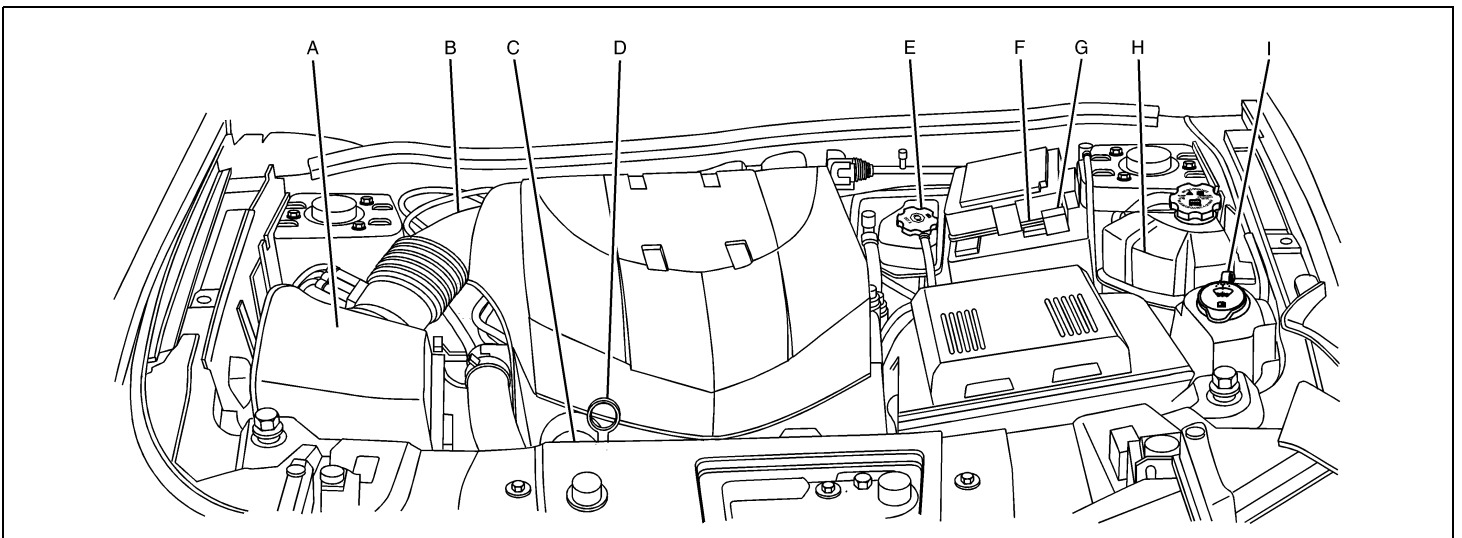
- 2) Then go to the front of the vehicle and release the secondary hood release by pushing the lever up.
- 3) Lift the hood.

Before closing the hood, be sure all the filler caps are on properly. Then pull the hood down and close it firmly.

SERVICE AND APPEARANCE CARE

Engine Compartment Overview

When you open the hood, here is what you will see:



1708418

- A. Engine Air Cleaner/Filter.
Refer to "Engine Air Cleaner/Filter" in this section.
- B. Power Steering Fluid Reservoir (Out of View).
Refer to "Power Steering Fluid" in this section.
- C. Engine Oil Fill Cap (Out of View). Refer to "When to Add Engine Oil" under "Engine Oil" in this section.
- D. Engine Oil Dipstick.
Refer to "Checking Engine Oil" under "Engine Oil" in this section.
- E. Brake Fluid Reservoir. Refer to "Brake Fluid" under "Brakes"
- F. Underhood Fuse Block.
Refer to "Engine Compartment Fuse Block" in this section.
- G. Remote Positive (+) Terminal.
Refer to "Jump Starting" in this section.
- H. Engine Coolant Recovery Tank.
Refer to "Cooling System" in this section.
- I. Windshield Washer Fluid Reservoir. Refer to "Adding Washer Fluid" under "Windshield Washer Fluid" in this section.

SERVICE AND APPEARANCE CARE

Engine Oil

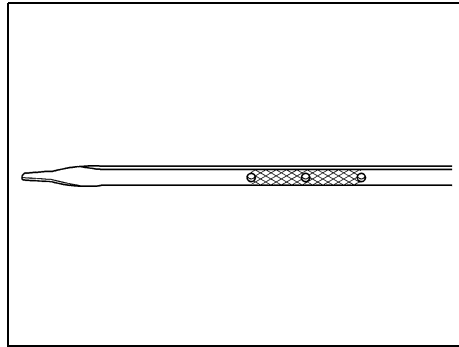
Checking Engine Oil

It is a good idea to check your engine oil every time you get fuel. In order to get an accurate reading, the oil must be warm and the vehicle must be on level ground.

The engine oil dipstick handle is a yellow loop. Refer to "Engine Compartment Overview" in this section for the location of the engine oil dipstick.

- 1) Turn off the engine and give the oil several minutes to drain back into the oil pan. If you do not do this, the oil dipstick might not show the actual level.
- 2) Pull out the dipstick and clean it with a paper towel or cloth, then push it back in all the way. Remove it again, keeping the tip down, and check the level.

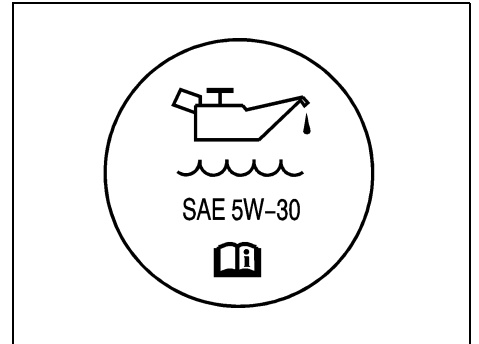
When to Add Engine Oil



If the oil is below the cross-hatched area at the tip of the dipstick, you need to add at least one quart/liter of oil. But you must use the right kind. This section explains what kind of oil to use. For engine oil crankcase capacity, refer to "Capacities and Specifications" in this section.

CAUTION

Do not add too much oil. If the engine has so much oil that the oil level gets above the cross-hatched area that shows the proper operating range, the engine could be damaged.



SAE 5W-30 may not appear on all caps.

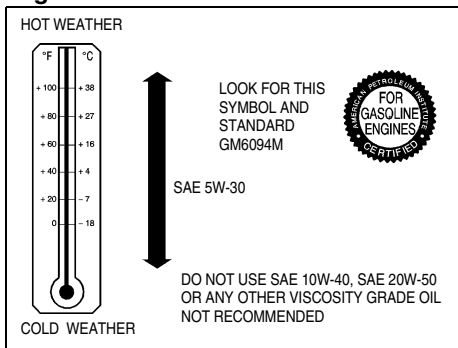
Refer to "Engine Compartment Overview" in this section for the location of the engine oil fill cap.

Be sure to add enough oil to put the level somewhere in the proper operating range in the cross-hatched area. Push the dipstick all the way back in when you are through.

SERVICE AND APPEARANCE CARE

What Kind of Engine Oil to Use

Recommended SAE viscosity grade engine oils



Look for two things:

- **GM6094M**
Your vehicle's engine requires oil meeting standard GM6094M. Look for and use only an oil that meets standard GM6094M.
- **SAE 5W-30**
As shown in the viscosity chart, SAE 5W-30 is best for your vehicle. These numbers on an oil container show its viscosity, or thickness. Do not use other viscosity oils such as SAE 20W-50.



Oils meeting these requirements should also have the starburst symbol on the container. This symbol indicates that the oil has been certified by the American Petroleum Institute (API).

Look for this information on the oil container, and use only those oils that are identified as meeting standard GM6094M and have the starburst symbol on the front of the oil container.

CAUTION

Use only engine oil identified as meeting standard GM6094M and showing the American Petroleum Institute Certified For Gasoline Engines starburst symbol. Failure to use the recommended oil can result in engine damage not covered by your warranty.

If you are in an area of extreme cold, where the temperature falls below -20°F (-29°C), it is recommended that you use either an SAE 5W-30 synthetic oil or an SAE 0W-30 oil. Both provide easier cold starting and better protection for the engine at extremely low temperatures.

Engine Oil Additives

Do not add anything to the oil. The recommended oils with the starburst symbol that meet standard GM6094M are all you need for good performance and engine protection.

Engine Oil Life System

When to Change Engine Oil

Your vehicle has a computer system that lets you know when to change the engine oil and filter. This is based on engine revolutions and engine temperature, and not on mileage. Based on driving conditions, the mileage at which an oil change will be indicated can vary considerably. For the oil life

SERVICE AND APPEARANCE CARE

system to work properly, you must reset the system every time the oil is changed.

When the system has calculated that oil life has been diminished, it will indicate that an oil change is necessary. A change engine oil light and a CHANGE ENGINE OIL SOON message will come on. Refer to "Change Engine Oil Light" in "Warning Lights, Gages, and Indicators" in the "Instrument Panel" section and "DIC Warnings and Messages" in "Driver Information Center (DIC)" in the "Instrument Panel" section. Change your oil as soon as possible within the next 600 miles (1000 km). It is possible that, if you are driving under the best conditions, the oil life system may not indicate that an oil change is necessary for over a year. However, your engine oil and filter must be changed at least once a year and at this time the system must be reset. Your dealer has trained service people who will perform this work and reset the system. It is also important to check your oil regularly and keep it at the proper level.

If the system is ever reset accidentally, you must change your oil at 3000 miles (5000 km) since your last oil change. Remember to reset the oil life system whenever the oil is changed.

How to Reset the Engine Oil Life System

The Engine Oil Life System calculates when to change your engine oil and filter based on vehicle use. Anytime your oil is

changed, reset the system so it can calculate when the next oil change is required. If a situation occurs where you change your oil prior to a change engine oil light or CHANGE ENGINE OIL SOON message being turned on, reset the system.

- 1) Turn the ignition key to RUN with the engine off.
- 2) Fully press and release the accelerator pedal three times within five seconds. The change engine oil light will flash while the system is resetting.
- 3) When the light stops flashing, turn the key to LOCK.

If the light or message comes back on and stays on when you start your vehicle, the engine oil life system has not reset. Repeat the procedure.

What to Do with Used Oil

Used engine oil contains certain elements that may be unhealthy for your skin and could even cause cancer. Do not let used oil stay on your skin for very long. Clean your skin and nails with soap and water, or a good hand cleaner. Wash or properly dispose of clothing or rags containing used engine oil. See the manufacturer's warnings about the use and disposal of oil products.

Used oil can be a threat to the environment. If you change your own oil, be sure to drain all the oil from the filter before disposal. Never dispose of oil by putting it in

the trash, pouring it on the ground, into sewers, or into streams or bodies of water. Instead, recycle it by taking it to a place that collects used oil. If you have a problem properly disposing of your used oil, ask your dealer, a service station, or a local recycling center for help.

Engine Air Cleaner/Filter

The engine air cleaner/filter is located in the engine compartment on the passenger's side of the vehicle. Refer to "Engine Compartment Overview" in this section for more information on location.

When to Inspect the Engine Air Cleaner/Filter

Inspect the air cleaner/filter at the Maintenance II intervals and replace it at the first oil change after each 50000 mile (83000 km) interval. Refer to "Scheduled Maintenance" in "Maintenance Schedule" in the "Maintenance Schedule" section for more information. If you are driving in dusty/dirty conditions, inspect the filter at each engine oil change.

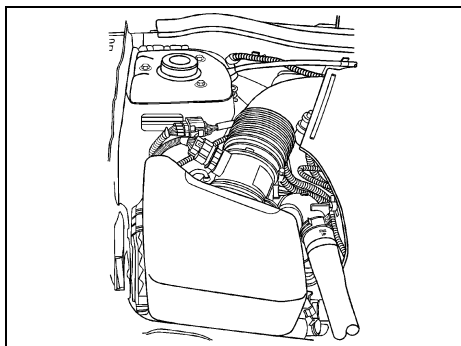
How to Inspect the Engine Air Cleaner/Filter

To inspect the air cleaner/filter remove the filter from the vehicle and lightly shake the filter to release loose dust and dirt. If the filter remains caked with dirt, a new filter is required.

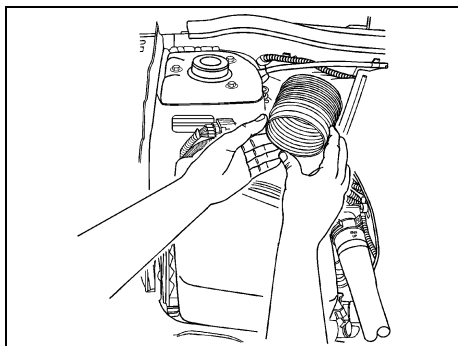
SERVICE AND APPEARANCE CARE

To inspect or replace the engine air cleaner/filter, do the following:

1) Turn off the engine.



- 2) Disconnect the air flow sensor electrical connector.
- 3) Loosen the screws on the clamps holding the air outlet duct in place. Do not pry the clamps off.



- 4) Remove the air outlet duct.
- 5) Undo the clamps on the filter cover. To remove the cover, pull up on the front and then pull the cover out.
- 6) Inspect or replace the engine air cleaner/filter. Wipe all dust from inside of the housing and inspect the air cleaner and air outlet duct for cracks, cuts, and deterioration. The air outlet duct must be replaced if damaged.
- 7) Reinstall the filter cover and latch the clamps.
- 8) Reattach the air outlet duct and tighten the screws on the clamps that hold the duct in place.
- 9) Reconnect the air flow sensor electrical connector.

⚠ WARNING

Operating the engine with the air cleaner/filter off can cause you or others to be burned. The air cleaner not only cleans the air; it helps to stop flames if the engine backfires. If it is not there and the engine backfires, you could be burned. Do not drive with it off, and be careful working on the engine with the air cleaner/filter off.

CAUTION

If the air cleaner/filter is off, a backfire can cause a damaging engine fire. And, dirt can easily get into your engine, which will damage it. Always have the air cleaner/filter in place when you are driving.

Automatic Transaxle Fluid

It is not necessary to check the transaxle fluid level. A transaxle fluid leak is the only reason for fluid loss. If a leak occurs, take your vehicle to the dealership service department and have it repaired as soon as possible.

Change the fluid at the intervals listed in "Additional Required Services" in "Maintenance Schedule" in the "Maintenance Schedule" section, and be sure to use the transaxle fluid listed in "Recommended

SERVICE AND APPEARANCE CARE

Fluids and Lubricants” in “Maintenance Schedule” in the “Maintenance Schedule” section.

CAUTION

Use of the incorrect automatic transaxle fluid may damage your vehicle, and the damages may not be covered by your warranty. Always use the automatic transaxle fluid listed in “Recommended Fluids and Lubricants” in “Maintenance Schedule” in the “Maintenance Schedule” section.

Engine Coolant

The cooling system in your vehicle is filled with DEX-COOL® engine coolant. This coolant is designed to remain in your vehicle for five years or 150,000 miles (240 000 km), whichever occurs first, if you add only DEX-COOL® extended life coolant.

The following explains your cooling system and how to add coolant when it is low. If you have a problem with engine overheating, refer to “Engine Overheating” in this section.

A 50/50 mixture of clean, drinkable water and DEX-COOL® coolant will:

- Give freezing protection down to -34°F (-37°C).
- Give boiling protection up to 265°F (129°C).
- Protect against rust and corrosion.

- Help keep the proper engine temperature.
- Let the warning lights and gages work as they should.

CAUTION

Using coolant other than DEX-COOL® may cause premature engine, heater core, or radiator corrosion. In addition, the engine coolant may require changing sooner, at the first maintenance service after each 30000 miles (50000 km) or 24 months, whichever occurs first. Any repairs would not be covered by your warranty. Always use DEX-COOL® (silicate-free) coolant in your vehicle.

What to Use

Use a mixture of one-half clean, drinkable water and one-half DEX-COOL® coolant which will not damage aluminum parts. If you use this coolant mixture, you do not need to add anything else.

⚠ WARNING

Adding only plain water to your cooling system can be dangerous. Plain water, or some other liquid such as alcohol, can boil before the proper coolant mixture will. Your vehicle’s coolant warning system is set for the proper coolant mixture. With plain water or the wrong mixture, your engine could get too hot but you would not get the overheat warning. Your engine could catch fire and you or others could be burned. Use a 50/50 mixture of clean, drinkable water and DEX-COOL® coolant.

CAUTION

If you use an improper coolant mixture, your engine could overheat and be badly damaged. The repair cost would not be covered by your warranty. Too much water in the mixture can freeze and crack the engine, radiator, heater core, and other parts.

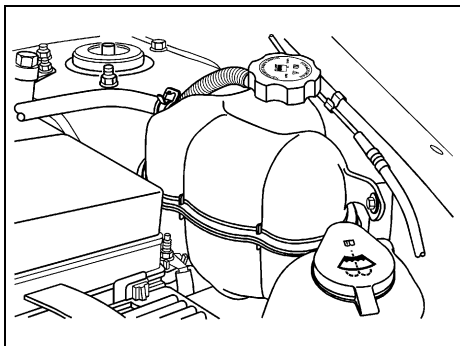
SERVICE AND APPEARANCE CARE

If you have to add coolant more than four times a year, have your dealer check your cooling system.

CAUTION

If you use extra inhibitors and/or additives in your vehicle's cooling system, you could damage your vehicle. Use only the proper mixture of the engine coolant listed in this manual for the cooling system. Refer to "Recommended Fluids and Lubricants" in "Maintenance Schedule" in the "Maintenance Schedule" section for more information.

Checking Coolant



1631523

The surge tank is located on the driver's side of the engine compartment. Refer to

"Engine Compartment Overview" in this section for more information on location.

⚠ WARNING

Turning the surge tank pressure cap when the engine and radiator are hot can allow steam and scalding liquids to blow out and burn you badly. Never turn the surge tank pressure cap – even a little – when the engine and radiator are hot.

The vehicle must be on a level surface. When your engine is cold, the coolant level should be at the COLD FILL line. When your engine is warm, the level should be at the COLD FILL line or a little higher.

Adding Coolant

If you need more coolant, add the proper DEX-COOL® coolant mixture at the surge tank, but only when the engine is cool.

⚠ WARNING

You can be burned if you spill coolant on hot engine parts. Coolant contains ethylene glycol, and it will burn if the engine parts are hot enough. Do not spill coolant on a hot engine.

When replacing the pressure cap, make sure it is hand-tight and fully seated.

Engine Overheating

There is a coolant temperature gage and a warning light on the instrument panel cluster that indicate an overheated engine condition. Refer to "Engine Coolant Temperature Gage" and "Engine Coolant Temperature Warning Light" in "Warning Lights, Gages, and Indicators" in the "Instrument Panel" section for more information.

If Steam Is Coming From Your Engine

⚠ WARNING

Steam from an overheated engine can burn you badly, even if you just open the hood. Stay away from the engine if you see or hear steam coming from it. Turn it off and get everyone away from the vehicle until it cools down. Wait until there is no sign of steam or coolant before you open the hood.

If you keep driving when the vehicle's engine is overheated, the liquids in it can catch fire. You or others could be badly burned. Stop your engine if it overheats, and get out of the vehicle until the engine is cool.

Refer to "Overheated Engine Protection Operating Mode" in this section for information on driving to a safe place in an emergency.

SERVICE AND APPEARANCE CARE

CAUTION

If your engine catches fire because you keep driving with no coolant, your vehicle can be badly damaged. The costly repairs would not be covered by your warranty. Refer to "Overheated Engine Protection Operating Mode" in this section for information on driving to a safe place in an emergency.

If No Steam Is Coming From Your Engine

If you get an engine overheat warning, but see or hear no steam, the problem may not be too serious. Sometimes the engine can get a little too hot when you:

- Climb a long hill on a hot day.
- Stop after high-speed driving.
- Idle for long periods in traffic.
- Tow a trailer.

If you get the overheat warning with no sign of steam, try this for a minute or so:

- 1) In heavy traffic, let the engine idle in NEUTRAL (N) while stopped. If it is safe to do so, pull off the road, shift to PARK (P) or NEUTRAL (N) and let the engine idle.
- 2) Set the climate controls to the highest heat setting and fan speed and open the windows as necessary.

If you no longer have the overheat warning, you can drive. Just to be safe, drive slower for about 10 minutes. If the warning does not come back on, you can drive normally.

If the warning continues and you have not stopped, pull over, stop, and park your vehicle right away.

If there is still no sign of steam, you can idle the engine for three minutes while you are parked. If you still have the warning, turn off the engine and get everyone out of the vehicle until it cools down. Also, see "Overheated Engine Protection Operating Mode" later in this section.

You may decide not to lift the hood but to get service help right away.

Overheated Engine Protection Operating Mode

This emergency operating mode allows your vehicle to be driven to a safe place in an emergency situation. If an overheated engine condition exists, an overheat protection mode which alternates firing groups of cylinders helps prevent engine damage. In this mode, you will notice a significant loss in power and engine performance. The engine coolant temperature warning light on the instrument panel will come on to indicate the vehicle has entered overheated engine protection operating mode. The temperature gage will also indicate an overheat condition exists. Driving

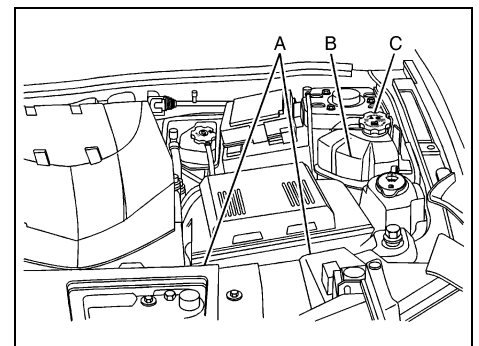
extended miles (km) and/or towing a trailer in the overheat protection mode should be avoided.

CAUTION

After driving in the overheated engine protection operating mode, to avoid engine damage, allow the engine to cool before attempting any repair. The engine oil will be severely degraded. Repair the cause of coolant loss, change the oil and reset the oil life system. Refer to "Engine Oil" in this section.

Cooling System

When you decide it is safe to lift the hood, here is what you will see:



1733770

- A. Electric Engine Cooling Fans
B. Coolant Recovery Tank

SERVICE AND APPEARANCE CARE

C. Pressure Cap

⚠ WARNING

An electric engine cooling fan under the hood can start up even when the engine is not running and can injure you. Keep hands, clothing, and tools away from any underhood electric fan.

If the coolant inside the coolant recovery tank is boiling, do not do anything else until it cools down. The vehicle should be parked on a level surface.

When the engine is cold, the coolant level should be at or above the cold fill line on the coolant recovery tank. If it is not, there may be a leak at the pressure cap or in the radiator hoses, heater hoses, radiator, water pump, or somewhere else in the cooling system.

⚠ WARNING

Heater and radiator hoses, and other engine parts, can be very hot. Do not touch them. If you do, you can be burned. Do not run the engine if there is a leak. If you run the engine, it could lose all coolant. That could cause an engine fire, and you could be burned. Get any leak fixed before you drive the vehicle.

If there seems to be no leak, with the engine on, check to see if the electric engine cooling fans are running. If the engine is overheating, the fans should be running. If the fans are not running, the vehicle needs service.

CAUTION

Engine damage from running your engine without coolant is not covered by your warranty. Refer to "Overheated Engine Protection Operating Mode" in this section for information on driving to a safe place in an emergency.

CAUTION

Using coolant other than DEX-COOL® may cause premature engine, heater core, or radiator corrosion. In addition, the engine coolant could require changing sooner, at 30000 miles (50000 km) or 24 months, whichever occurs first. Any repairs would not be covered by your warranty. Always use DEX-COOL® (silicate-free) coolant in your vehicle.

How to Add Coolant to the Coolant Recovery Tank

⚠ WARNING

Adding only plain water to your cooling system can be dangerous. Plain water, or some other liquid such as alcohol, can boil before the proper coolant mixture will. Your vehicle's coolant warning system is set for the proper coolant mixture. With plain water or the wrong mixture, your engine could get too hot but you would not get the overheat warning. Your engine could catch fire and you or others could be burned. Use a 50/50 mixture of clean, drinkable water and DEX-COOL® coolant.

If you have not found a problem yet, but the coolant level is not at the cold fill line, add a 50/50 mixture of clean, drinkable water and DEX-COOL® engine coolant at the coolant recovery tank. Refer to "Engine Coolant" in this section for more information.

CAUTION

In cold weather, water can freeze and crack the engine, radiator, heater core and other parts. Use the recommended coolant and the proper coolant mixture.

SERVICE AND APPEARANCE CARE

⚠ WARNING

You can be burned if you spill coolant on hot engine parts. Coolant contains ethylene glycol and it will burn if the engine parts are hot enough. Do not spill coolant on a hot engine.

When the coolant level in the coolant recovery tank is at the cold fill line, start the vehicle.

If the overheat warning continues, there is one more thing you can try. You can add the proper coolant mixture directly to the radiator, but be sure the system is cool before you do it.

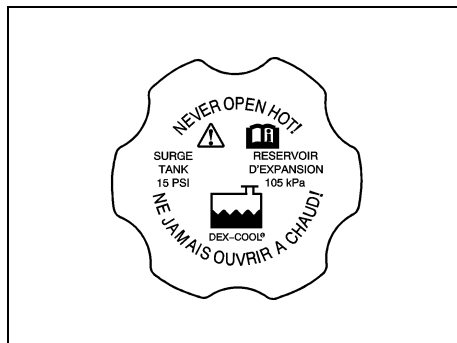
⚠ WARNING

Steam and scalding liquids from a hot cooling system can blow out and burn you badly. They are under pressure, and if you turn the radiator pressure cap – even a little – they can come out at high speed. Never turn the cap when the cooling system, including the radiator pressure cap, is hot. Wait for the cooling system and radiator pressure cap to cool if you ever have to turn the pressure cap.

How to Add Coolant to the Cooling System

CAUTION

Your engine has a specific cooling system drain and fill procedure. Failure to follow this procedure could cause your engine to overheat and be severely damaged. If your engine's cooling system needs to be drained and re-filled, please see your dealer.



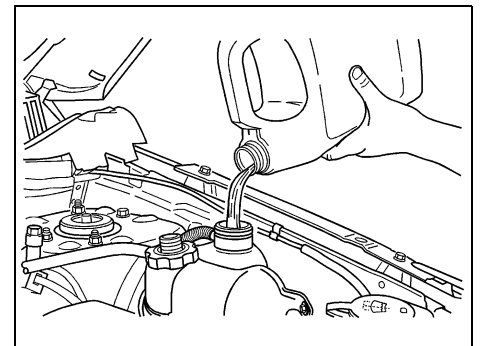
- 1) You can remove the pressure cap when the cooling system, including the pressure cap and upper radiator hose is no longer hot. Turn the pressure cap slowly counterclockwise. If you hear a hiss, wait for that to stop. A hiss means that there is still some pressure left.

- 2) Then keep turning the pressure cap and remove it.

⚠ WARNING

You can be burned if you spill coolant on hot engine parts. Coolant contains ethylene glycol and it will burn if the engine parts are hot enough. Do not spill coolant on a hot engine.

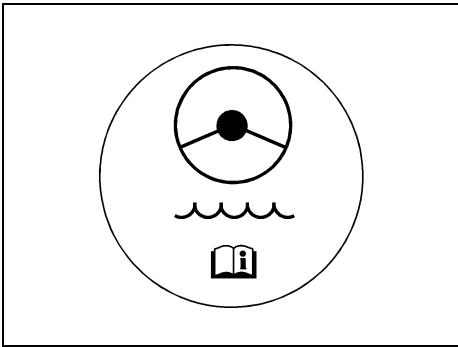
- 3) Fill the cooling system with the proper DEX-COOL® coolant mixture, up to the base of the filler neck. Refer to "Engine Coolant" in this section for more information about the proper coolant mixture.
- 4) Rinse or wipe any spilled coolant from the engine and the compartment.



- 5) Then fill the coolant recovery tank to the cold fill line.

- 6) Reinstall the coolant recovery tank cap and the pressure cap.
- 7) If the coolant in the recovery tank is constantly low, you should have your dealership service department inspect the vehicle for leaks.

Power Steering Fluid



812554

Refer to "Engine Compartment Overview" in this section for reservoir location.

When to Check Power Steering Fluid

It is not necessary to regularly check power steering fluid unless you suspect there is a leak in the system or you hear an unusual noise. A fluid loss in this system could indicate a problem. Have the system inspected and repaired.

How to Check Power Steering Fluid

To check the power steering fluid, do the following:

- 1) Turn the key off and let the engine compartment cool down.
- 2) Wipe the cap and the top of the reservoir clean.
- 3) Unscrew the cap and wipe the dipstick with a clean rag.
- 4) Replace the cap and completely tighten it.
- 5) Remove the cap again and look at the fluid level on the dipstick.

The fluid level should be between the Min (Minimum) and Max (Maximum) marks when the engine is cold, and at the Max mark when the engine is hot. If the fluid is at the Min mark when the engine is cold or hot, power steering fluid should be added.

What to Use

To determine what kind of fluid to use, refer to "Recommended Fluids and Lubricants" in "Maintenance Schedule" in the "Maintenance Schedule" section. Always use the proper fluid. Failure to use the proper fluid can cause leaks and damage hoses and seals.

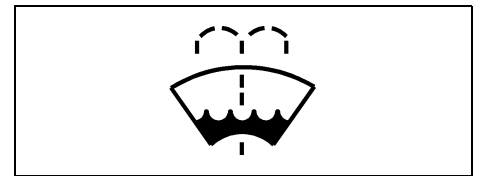
SERVICE AND APPEARANCE CARE

Windshield Washer Fluid

What to Use

When you need windshield washer fluid, be sure to read the manufacturer's instructions before use. If you will be operating your vehicle in an area where the temperature may fall below freezing, use a fluid that has sufficient protection against freezing.

Adding Washer Fluid



809177

Open the cap with the washer symbol on it. Add washer fluid until the tank is full. Refer to "Engine Compartment Overview" in this section for reservoir location.

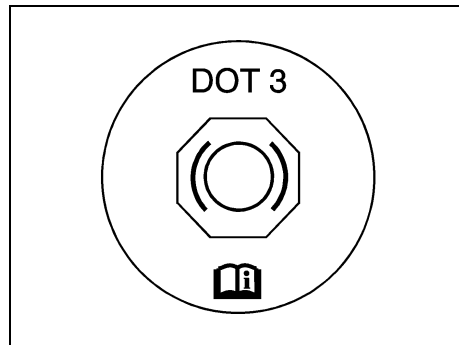
SERVICE AND APPEARANCE CARE

CAUTION

- When using concentrated washer fluid, follow the manufacturer's instructions for adding water.
- Do not mix water with ready-to-use washer fluid. Water can cause the solution to freeze and damage your washer fluid tank and other parts of the washer system. Also, water does not clean as well as washer fluid.
- Fill your washer fluid tank only three-quarters full when it is very cold. This allows for expansion if freezing occurs, which could damage the tank if it is completely full.
- Do not use engine coolant (anti-freeze) in your windshield washer. It can damage your washer system and paint.

Brakes

Brake Fluid



809919

Your brake master cylinder reservoir is filled with DOT-3 brake fluid. Refer to "Engine Compartment Overview" in this section for the location of the reservoir.

There are only two reasons why the brake fluid level in the reservoir might go down. The first is that the brake fluid goes down to an acceptable level during normal brake lining wear. When new linings are put in, the fluid level goes back up. The other reason is that fluid is leaking out of the brake system. If it is, you should have your brake system fixed, since a leak means that sooner or later your brakes will not work well, or will not work at all.

So, it is not a good idea to top off your brake fluid. Adding brake fluid will not cor-

rect a leak. If you add fluid when your linings are worn, then you will have too much fluid when you get new brake linings. You should add or remove brake fluid, as necessary, only when work is done on the brake hydraulic system.

⚠ WARNING

If your vehicle has too much brake fluid, it can spill on the engine. The fluid will burn if the engine is hot enough. You or others could be burned, and your vehicle could be damaged. Add brake fluid only when work is done on the brake hydraulic system.

When your brake fluid falls to a low level, your brake warning light will come on. Refer to "Brake System Warning Light" in "Warning Lights, Gages, and Indicators" in the "Instrument Panel" section.

What to Add

When you do need brake fluid, use only DOT-3 brake fluid. Use new brake fluid from a sealed container only. Refer to "Recommended Fluids and Lubricants" in "Maintenance Schedule" in the "Maintenance Schedule" section.

Always clean the brake fluid reservoir cap and the area around the cap before removing it. This will help keep dirt from entering the reservoir.

SERVICE AND APPEARANCE CARE

⚠ WARNING

With the wrong kind of fluid in the brake system, the brakes may not work well, or they may not even work at all. This could cause a crash. Always use the proper brake fluid.

CAUTION

- Using the wrong fluid can badly damage brake system parts. For example, just a few drops of mineral-based oil, such as engine oil, in the brake system can damage brake system parts so badly that they will have to be replaced. Do not let someone put in the wrong kind of fluid.
- If you spill brake fluid on your vehicle's painted surfaces, the paint finish can be damaged. Be careful not to spill brake fluid on your vehicle. If you do, wash it off immediately. Refer to "Washing Your Vehicle" in this section.

Brake Wear

Your vehicle has front and rear disc brakes.

Disc brake pads have built-in wear indicators that make a high-pitched warning sound when the brake pads are worn and new pads are needed. The sound may

come and go or be heard all the time your vehicle is moving, except when you are pushing on the brake pedal firmly.

⚠ WARNING

The brake wear warning sound means that soon the brakes will not work well. That could lead to an accident. When you hear the brake wear warning sound, have your vehicle serviced.

CAUTION

Continuing to drive with worn-out brake pads could result in costly brake repair.

Some driving conditions or climates may cause a brake squeal when the brakes are first applied or lightly applied. This does not mean something is wrong with your brakes.

Properly torqued wheel nuts are necessary to help prevent brake pulsation. When tires are rotated, inspect brake pads for wear and evenly tighten wheel nuts in the proper sequence to torque specifications.

Brake pads should always be replaced as complete axle sets.

Brake Pedal Travel

See your dealer if the brake pedal does not return to normal height, or if there is a

rapid increase in pedal travel. This could be a sign of brake trouble.

Brake Adjustment

Every time you apply the brakes, with or without the vehicle moving, your brakes adjust for wear.

Replacing Brake System Parts

The braking system on a vehicle is complex. Its many parts have to be of top quality and work well together if the vehicle is to have really good braking. Your vehicle was designed and tested with top-quality brake parts. When you replace parts of your braking system – for example, when your brake pads wear down and you need new ones put in – be sure you get new approved replacement parts. If you do not, your brakes may no longer work properly. For example, if someone puts in brake pads that are wrong for your vehicle, the balance between your front and rear brakes can change – for the worse. The braking performance you have come to expect can change in many other ways if someone puts in the wrong replacement brake parts.

Battery

Your vehicle has a maintenance free battery. When it is time for a new battery, get one that has the replacement number shown on the original battery's label. We recommend an ACDelco® replacement battery.

SERVICE AND APPEARANCE CARE

For battery replacement, see your dealer or the service manual.

⚠ WARNING

Battery posts, terminals, and related accessories contain lead and lead compounds, chemicals known to the State of California to cause cancer and reproductive harm. Wash hands after handling.

Vehicle Storage

If you are not going to drive your vehicle for 25 days or more, remove the black, negative (-) cable from the battery. This will help keep your battery from running down.

⚠ WARNING

Batteries have acid that can burn you and gas that can explode. You can be badly hurt if you are not careful. Refer to "Jump Starting" in this section for tips on working around a battery without getting hurt.

You must close all doors and the liftgate before reconnecting the battery. After reconnecting the battery, you must press the unlock button on the key transmitter. Failure to follow this procedure may result in sounding an alarm. Pressing unlock on the key transmitter would stop the alarm.

Jump Starting

If your vehicle's battery has run down, you may want to use another vehicle and some jumper cables to start your vehicle. Be sure to use the following steps to do it safely.

⚠ WARNING

Batteries can hurt you. They can be dangerous because:

- They contain acid that can burn you.
- They contain gas that can explode or ignite.
- They contain enough electricity to burn you.

If you do not follow these steps exactly, some or all of these things can hurt you.

CAUTION

Ignoring these steps could result in costly damage to your vehicle that would not be covered by your warranty. Trying to start your vehicle by pushing or pulling it will not work, and it could damage your vehicle.

- 1) Check the other vehicle. It must have a 12-volt battery with a negative ground system.

CAUTION

If the other vehicle's system is not a 12-volt system with a negative ground, both vehicles can be damaged. Only use vehicles with 12-volt systems with negative grounds to jump start your vehicle.

- 2) Get the vehicles close enough so the jumper cables can reach, but be sure the vehicles are not touching each other. If they are, it could cause a ground connection you do not want. You would not be able to start your vehicle, and the bad grounding could damage the electrical systems. To avoid the possibility of the vehicles rolling, set the parking brake firmly on both vehicles involved in the jump start procedure. Put an automatic transaxle in PARK (P) or a manual transaxle in NEUTRAL before setting the parking brake.

CAUTION

If you leave your radio or other accessories on during the jump starting procedure, they could be damaged. The repairs would not be covered by your warranty. Always turn off your radio and other accessories when jump starting your vehicle.

SERVICE AND APPEARANCE CARE

- 3) Turn off the ignition on both vehicles. Unplug unnecessary accessories plugged into the cigarette lighter or the accessory power outlets. Turn off the radio and all lamps that are not needed. This will avoid sparks and help save both batteries. And it could save the radio!
- 4) Open the hood on the other vehicle and locate the positive (+) and negative (-) terminal locations on that vehicle. You will not use your vehicle's battery for jump starting. It has a remote positive (+) jump starting terminal, located on the underhood fuse block, for that purpose. Refer to "Engine Compartment Overview" in this section for more information on location.



871917

To uncover the remote positive (+) terminal, press the tab at the bottom of the

fuse block and lift the cover up. Always use the remote positive (+) terminal instead of the positive (+) terminal on the battery.

⚠ WARNING

An electric fan can start up even when the engine is not running and can injure you. Keep hands, clothing and tools away from any underhood electric fan.

⚠ WARNING

Fans or other moving engine parts can injure you badly. Keep your hands away from moving parts once the engine is running.

⚠ WARNING

Using a match near a battery can cause battery gas to explode. People have been hurt doing this, and some have been blinded. Use a flashlight if you need more light. Be sure the battery has enough water. You do not need to add water to the battery installed in your new vehicle. But if a battery has filler caps, be sure the right amount of fluid is there. If it is low, add water to take care of that first. If you do not, explosive gas could be present.

(Continued)

⚠ WARNING

(Continued)

Battery fluid contains acid that can burn you. Do not get it on you. If you accidentally get it in your eyes or on your skin, flush the place with water and get medical help immediately.

- 5) Check that the jumper cables do not have loose or missing insulation. If they do, you could get a shock. The vehicles could be damaged too. Before you connect the cables, here are some basic things you should know. Positive (+) will go to positive (+) or to a remote positive (+) terminal if the vehicle has one. Negative will go to a heavy, unpainted metal engine part or to a remote negative (-) terminal if the vehicle has one.

CAUTION

If you connect a negative cable to the Engine Control Module (ECM), ECM mounting bracket or any cables that attach to the ECM bracket, you may damage the ECM. Attach the negative cable to a heavy, unpainted metal engine part, other than the ECM, ECM bracket or cables attached to the ECM bracket.

SERVICE AND APPEARANCE CARE

Do not connect positive (+) to negative (-), or you will get a short that would damage the battery and maybe other parts too. And do not connect the negative (-) cable to the negative (-) terminal on the dead battery because this can cause sparks.

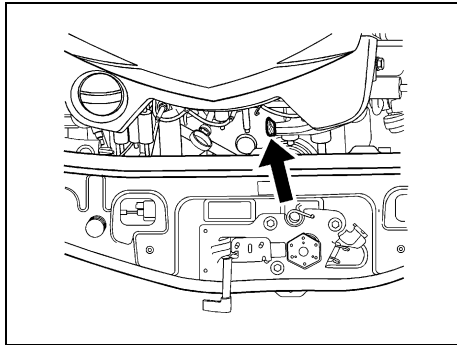


871918

- 6) Connect the red positive (+) cable to the positive (+) terminal location on the vehicle with the dead battery. Use a remote positive (+) terminal if the vehicle has one.
- 7) Do not let the other end touch metal. Connect it to the positive (+) terminal location on the vehicle with the good battery. Use a remote positive (+) terminal if the vehicle has one.
- 8) Now connect the black negative (-) cable to the negative (-) terminal location on the vehicle with the good battery. Use a remote negative (-) terminal

if the vehicle has one.

Do not let the other end touch anything until the next step. The other end of the negative (-) cable does not go to the dead battery. It goes to a heavy, unpainted metal engine part or to a remote negative (-) terminal on the vehicle with the dead battery.



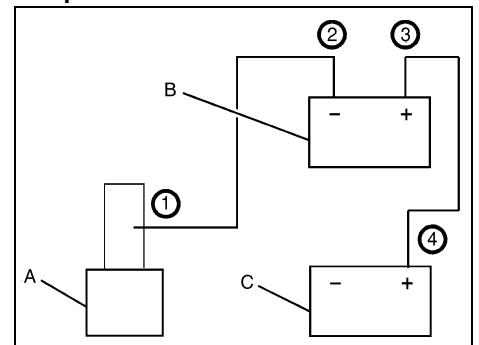
1737506

- 9) Connect the other end of the negative (-) cable at least 18 inches (45 cm) away from the dead battery, but not near engine parts that move. The electrical connection is just as good there, and the chance of sparks getting back to the battery is much less.
- 10) Now start the vehicle with the good battery and run the engine for a while.
- 11) Try to start the vehicle that had the dead battery. If it will not start after a few tries, it probably needs service.

CAUTION

If the jumper cables are connected or removed in the wrong order, electrical shorting may occur and damage the vehicle. The repairs would not be covered by your warranty. Always connect and remove the jumper cables in the correct order, making sure that the cables do not touch each other or other metal.

Jumper Cable Removal



812553

- A. Heavy, Unpainted Metal Engine Part or Remote Negative (-) Terminal
- B. Good Battery or Remote Positive (+) and Remote Negative (-) Terminals
- C. Dead Battery or Remote Positive (+) Terminal

SERVICE AND APPEARANCE CARE

To disconnect the jumper cables from both vehicles, do the following:

- 1) Disconnect the black negative (-) cable from the vehicle that had the dead battery.
- 2) Disconnect the black negative (-) cable from the vehicle with the good battery.
- 3) Disconnect the red positive (+) cable from the vehicle with the good battery.
- 4) Disconnect the red positive (+) cable from the other vehicle.
- 5) Return the fuse block cover to its original position.

All-Wheel Drive

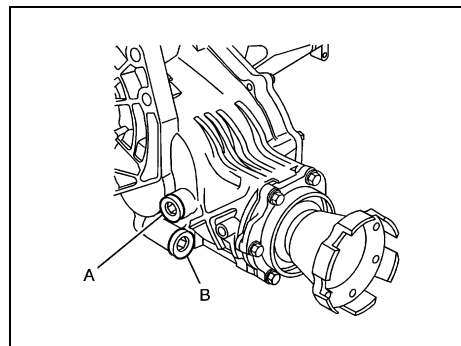
If you have an all-wheel-drive vehicle, be sure to perform the lubricant checks described in this section. However, there are two additional systems that need lubrication.

Transfer Case (Power Transfer Unit)

When to Check Lubricant

Refer to the Maintenance Schedule to determine how often to check the lubricant. Refer to "Scheduled Maintenance" in "Maintenance Schedule" in the "Maintenance Schedule" section.

How to Check Lubricant



- A. Fill Plug
B. Drain Plug

To get an accurate reading, the vehicle should be on a level surface.

If the level is below the bottom of the filler plug hole, you'll need to add some lubricant. Add enough lubricant to raise the level to the bottom of the filler plug hole.

What to Use

Refer to the Maintenance Schedule to determine what kind of lubricant to use. Refer to "Recommended Fluids and Lubricants" in "Maintenance Schedule" in the "Maintenance Schedule" section.

Carrier Assembly-Differential (Rear Drive Module)

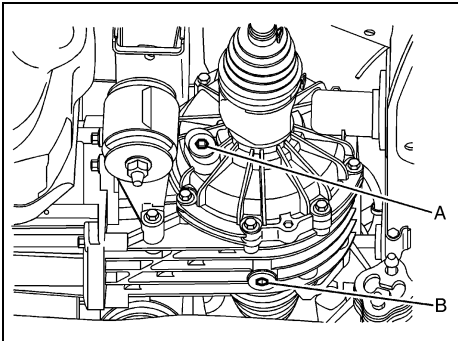
When to Check and Change Lubricant

Refer to the Maintenance Schedule to determine how often to check the lubricant and when to change it. Refer to "Scheduled Maintenance" in "Maintenance Schedule" in the "Maintenance Schedule" section.

SERVICE AND APPEARANCE CARE

How to Check Lubricant

AWD Differential Case



1716440

- A. Fill Plug
- B. Drain Plug

To get an accurate reading, the vehicle should be on a level surface.

If the level is below the bottom of the filler plug hole, you'll need to add some lubricant. Add enough lubricant to raise the level to the bottom of the filler plug hole. A fluid loss could indicate a problem; check and have it repaired, if needed.

What to Use

Refer to the Maintenance Schedule to determine what kind of lubricant to use. Refer to "Recommended Fluids and Lubricants" in "Maintenance Schedule" in the "Maintenance Schedule" section.

Bulb Replacement

For the proper type of replacement bulbs, refer to "Replacement Bulbs" in this section.

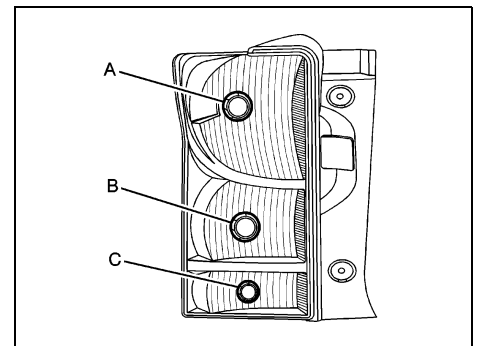
For any bulb changing procedure not listed in this section, contact your dealer.

Halogen Bulbs

WARNING

Halogen bulbs have pressurized gas inside and can burst if you drop or scratch the bulb. You or others could be injured. Be sure to read and follow the instructions on the bulb package.

Taillamps, Turn Signal, Stoplamps and Back-up Lamps



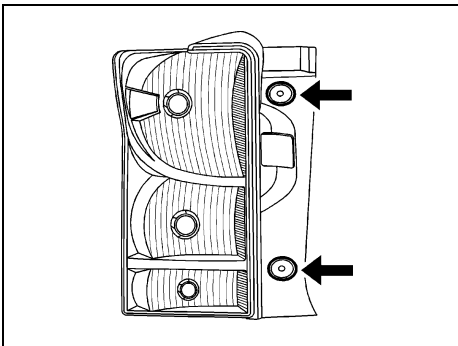
1802291

- A. Stoplamp/Taillamp/Sidemarkers Lamp
- B. Turn Signal Lamp/Taillamp
- C. Backup Lamp

To replace one of these bulbs, do the following:

- 1) Open the liftgate. Refer to "Liftgate" in "Doors and Locks" in the "Features and Controls" section for more information.

SERVICE AND APPEARANCE CARE



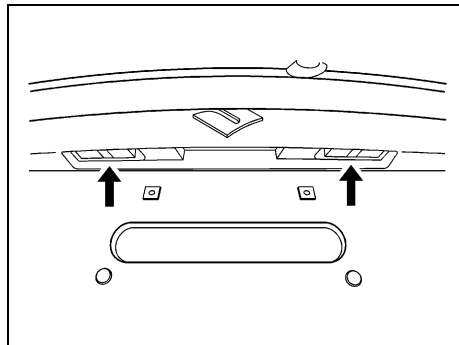
1802297

- 2) Remove the taillamp screw covers.
- 3) Remove the taillamp screws.
- 4) Pull the taillamp assembly towards you.
- 5) Turn the bulb socket counterclockwise to disconnect it from the taillamp assembly.
- 6) Pull the bulb out of the bulb socket.
- 7) Push the new bulb into the bulb socket.
- 8) Insert the bulb socket into the taillamp assembly and turn it clockwise to secure.
- 9) Reverse Steps 1 through 3 to reinstall the taillamp assembly. When reinstalling the screws, do not overtighten.

License Plate Lamp

To replace one of these bulbs, do the following:

- 1) Push tabs to remove the license plate lamp from the liftgate.



1708173

- 2) Turn the bulb socket counterclockwise and pull the bulb straight out of the socket.
- 3) Install the new bulb.
- 4) Reverse Steps 1 through 3 to reinstall the license plate lamp.

Replacement Bulbs

Exterior Lamp	Bulb Number
Back-up Lamp	921
License Plate Lamp	168
Rear Turn Signal/ Stoplamp/Sidemarkers/Tail-lamp	3057K

For replacement bulbs not listed here, contact your dealer.

SERVICE AND APPEARANCE CARE

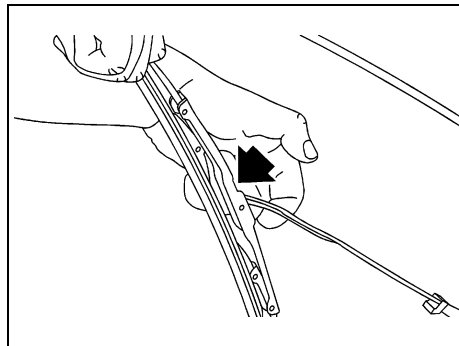
Windshield Wiper Blade Replacement

Windshield wiper blades should be inspected for wear or cracking. Refer to "Scheduled Maintenance" in "Maintenance Schedule" in the "Maintenance Schedule" section for more information.

Replacement blades come in different types and are removed in different ways. For proper type and length, refer to "Normal Maintenance Replacement Parts" in "Maintenance Schedule" in the "Maintenance Schedule" section.

Here's how to replace the windshield wiper blades:

- 1) Make sure the front wipers are turned off.
- 2) Pull the windshield wiper arm away from the windshield.



811525

- 3) Pull up the release clip, located at the connecting point of the blade and the arm. Then, pull the blade assembly down toward the glass to remove it from the wiper arm.
- 4) Push the new wiper blade securely on the wiper arm until you hear the release clip "click" into place.
- 5) Push the release clip, from Step 3, down to secure the wiper blade into place.

Rear Window Wiper Blade Replacement
To replace the rear window wiper blade, do the following:

- 1) Make sure that the rear wiper is off.
- 2) Pull the wiper away from the rear window.
- 3) Pull up the release clip, located at the connecting point of the blade and the arm. Then, pull the blade assembly down toward the glass to remove it from the wiper arm.
- 4) Push the new wiper blade securely on the wiper arm until you hear the release clip "click" into place.
- 5) Push the release clip, from Step 3, down to secure the wiper blade into place.

SERVICE AND APPEARANCE CARE

Tires

Your new vehicle comes with high-quality tires made by a leading tire manufacturer. If you ever have questions about your tire warranty and where to obtain service, see your Suzuki Warranty booklet for details. For additional information refer to the tire manufacturer's booklet included with your vehicle.

⚠ WARNING

- **Poorly maintained and improperly used tires are dangerous.**
- **Overloading your tires can cause overheating as a result of too much friction. You could have an air-out and a serious accident. Refer to "Loading Your Vehicle" in "Your Driving, the Road, and Your Vehicle" in the "Driving Your Vehicle" section.**
- **Underinflated tires pose the same danger as overloaded tires. The resulting accident could cause serious injury. Check all tires frequently to maintain the recommended pressure. Tire pressure should be checked when your tires are cold.**
- **Overinflated tires are more likely to be cut, punctured, or broken by a sudden impact – such as when you hit a pothole. Keep tires at the recommended pressure.**

(Continued)

⚠ WARNING

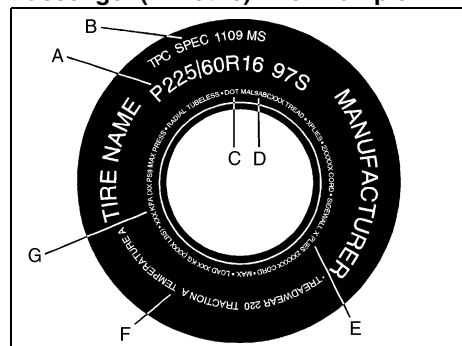
(Continued)

- **Worn, old tires can cause accidents. If your tread is badly worn, or if your tires have been damaged, replace them.**
- Refer to "Inflation – Tire Pressure" in this section for inflation pressure adjustment for high speed driving.**

Tire Sidewall Labeling

Useful information about a tire is molded into its sidewall. The examples below show a typical passenger vehicle tire and a compact spare tire sidewall.

Passenger (P-Metric) Tire Example



1376078

- A. Tire Size:
The tire size is a combination of let-

ters and numbers used to define a particular tire's width, height, aspect ratio, construction type, and service description. See the "Tire Size" illustration later in this section for more detail.

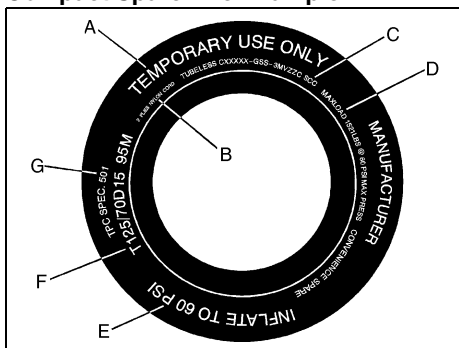
- B. TPC Spec (Tire Performance Criteria Specification):
Original equipment tires designed to SUZUKI's specific tire performance criteria have a TPC specification code molded onto the sidewall. SUZUKI's TPC specifications meet or exceed all federal safety guidelines.
- C. DOT (Department of Transportation):
The Department of Transportation (DOT) code indicates that the tire is in compliance with the U.S. Department of Transportation Motor Vehicle Safety Standards.
- D. Tire Identification Number (TIN):
The letters and numbers following DOT (Department of Transportation) code is the Tire Identification Number (TIN). The TIN shows the manufacturer and plant code, tire size, and date the tire was manufactured. The TIN is molded onto both sides of the tire, although only one side may have the date of manufacture.
- E. Tire Ply Material:
The type of cord and number of plies in the sidewall and under the tread.
- F. Uniform Tire Quality Grading (UTQG):
Tire manufacturers are required to

SERVICE AND APPEARANCE CARE

grade tires based on three performance factors: treadwear, traction, and temperature resistance. For more information refer to "Uniform Tire Quality Grading" in this section.

- G. Maximum Cold Inflation Load Limit: Maximum load that can be carried and the maximum pressure needed to support that load.

Compact Spare Tire Example



1376093

- A. Temporary Use Only:
The compact spare tire or temporary use tire has a tread life of approximately 3000 miles (5000 km) and should not be driven at speeds over 65 mph (105 km/h). The compact spare tire is for emergency use when a regular road tire has lost air and gone flat. If your vehicle has a compact spare tire, refer to "Compact

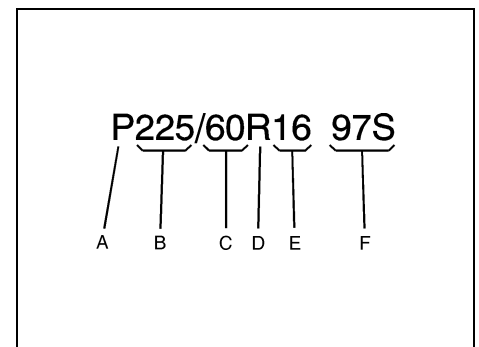
Spare Tire" and "If a Tire Goes Flat" in this section.

- B. Tire Ply Material:
The type of cord and number of plies in the sidewall and under the tread.
- C. Tire Identification Number (TIN):
The letters and numbers following the DOT (Department of Transportation) code is the Tire Identification Number (TIN). The TIN shows the manufacturer and plant code, tire size, and date the tire was manufactured. The TIN is molded onto both sides of the tire, although only one side may have the date of manufacture.
- D. Maximum Cold Inflation Load Limit:
Maximum load that can be carried and the maximum pressure needed to support that load.
- E. Tire Inflation:
The temporary use tire or compact spare tire should be inflated to 60 psi (420 kPa). For more information on tire pressure and inflation refer to "Inflation – Tire Pressure" in this section.
- F. Tire Size:
A combination of letters and numbers define a tire's width, height, aspect ratio, construction type, and service description. The letter T as the first character in the tire size means the tire is for temporary use only.
- G. TPC Spec (Tire Performance Criteria Specification):
Original equipment tires designed to

SUZUKI's specific tire performance criteria have a TPC specification code molded onto the sidewall. SUZUKI's TPC specifications meet or exceed all federal safety guidelines.

Tire Size

The following illustration shows an example of a typical passenger vehicle tire size.



1376101

- A. Passenger (P-Metric) Tire:
The United States version of a metric tire sizing system. The letter P as the first character in the tire size means a passenger vehicle tire engineered to standards set by the U.S. Tire and Rim Association.
- B. Tire Width:
The three-digit number indicates the tire section width in millimeters from sidewall to sidewall.

SERVICE AND APPEARANCE CARE

C. Aspect Ratio:

A two-digit number that indicates the tire height-to-width measurements. For example, if the tire size aspect ratio is 60, as shown in item C of the illustration, it would mean that the tire's sidewall is 60 percent as high as it is wide.

D. Construction Code:

A letter code is used to indicate the type of ply construction in the tire. The letter R means radial ply construction; the letter D means diagonal or bias ply construction; and the letter B means belted-bias ply construction.

E. Rim Diameter:

Diameter of the wheel in inches.

F. Service Description:

These characters represent the load range and speed rating of the tire. The load index represents the load carry capacity a tire is certified to carry. The load index can range from 1 to 279. The speed rating is the maximum speed a tire is certified to carry a load. Speed ratings range from A to Z.

Tire Terminology and Definitions

Air Pressure:

The amount of air inside the tire pressing outward on each square inch of the tire. Air pressure is expressed in pounds per square inch (psi) or kilopascal (kPa).

Accessory Weight:

This means the combined weight of optional accessories. Some examples of optional accessories are, automatic transmission/transaxle, power steering, power brakes, power windows, power seats, and air conditioning.

Aspect Ratio:

The relationship of a tire's height to its width.

Belt:

A rubber coated layer of cords that is located between the plies and the tread. Cords may be made from steel or other reinforcing materials.

Bead:

The tire bead contains steel wires wrapped by steel cords that hold the tire onto the rim.

Bias Ply Tire:

A pneumatic tire in which the plies are laid at alternate angles less than 90 degrees to the centerline of the tread.

Cold Tire Pressure:

The amount of air pressure in a tire, measured in pounds per square inch (psi) or

kilopascals (kPa) before a tire has built up heat from driving. Refer to "Inflation – Tire Pressure" in this section.

Curb Weight:

This means the weight of a motor vehicle with standard and optional equipment including the maximum capacity of fuel, oil, and coolant, but without passengers and cargo.

DOT Markings:

A code molded into the sidewall of a tire signifying that the tire is in compliance with the U.S. Department of Transportation (DOT) motor vehicle safety standards. The DOT code includes the Tire Identification Number (TIN), an alphanumeric designator which can also identify the tire manufacturer, production plant, brand, and date of production.

GVWR:

Gross Vehicle Weight Rating. Refer to "Loading Your Vehicle" in "Your Driving, the Road, and Your Vehicle" in the "Driving Your Vehicle" section.

GAWR FRT:

Gross Axle Weight Rating for the front axle. Refer to "Loading Your Vehicle" in "Your Driving, the Road, and Your Vehicle" in the "Driving Your Vehicle" section.

GAWR RR:

Gross Axle Weight Rating for the rear axle. Refer to "Loading Your Vehicle" in "Your

SERVICE AND APPEARANCE CARE

Driving, the Road, and Your Vehicle” in the “Driving Your Vehicle” section.

Intended Outboard Sidewall:

The side of an asymmetrical tire, that must always face outward when mounted on a vehicle.

Kilopascal (kPa):

The metric unit for air pressure.

Light Truck (LT-Metric) Tire:

A tire used on light duty trucks and some multipurpose passenger vehicles.

Load Index:

An assigned number ranging from 1 to 279 that corresponds to the load carrying capacity of a tire.

Maximum Inflation Pressure:

The maximum air pressure to which a cold tire may be inflated. The maximum air pressure is molded onto the sidewall.

Maximum Load Rating:

The load rating for a tire at the maximum permissible inflation pressure for that tire.

Maximum Loaded Vehicle Weight:

The sum of curb weight, accessory weight, vehicle capacity weight, and production options weight.

Normal Occupant Weight:

The number of occupants a vehicle is designed to seat multiplied by 150 lbs (68 kg). Refer to “Loading Your Vehicle” in “Your Driving, the Road, and Your Vehicle” in the “Driving Your Vehicle” section.

Occupant Distribution:

Designated seating positions.

Outward Facing Sidewall:

The side of an asymmetrical tire that has a particular side that faces outward when mounted on a vehicle. The side of the tire that contains a whitewall, bears white lettering, or bears manufacturer, brand, and/or model name molding that is higher or deeper than the same moldings on the other sidewall of the tire.

Passenger (P-Metric) Tire:

A tire used on passenger cars and some light duty trucks and multipurpose vehicles.

Recommended Inflation Pressure:

Vehicle manufacturer’s recommended tire inflation pressure as shown on the tire placard. Refer to “Inflation – Tire Pressure” in this section and “Loading Your Vehicle” in “Your Driving, the Road, and Your Vehicle” in the “Driving Your Vehicle” section.

Radial Ply Tire:

A pneumatic tire in which the ply cords that extend to the beads are laid at 90 degrees to the centerline of the tread.

Rim:

A metal support for a tire and upon which the tire beads are seated.

Sidewall:

The portion of a tire between the tread and the bead.

Speed Rating:

An alphanumeric code assigned to a tire indicating the maximum speed at which a tire can operate.

Traction:

The friction between the tire and the road surface. The amount of grip provided.

Tread:

The portion of a tire that comes into contact with the road.

Treadwear Indicators:

Narrow bands, sometimes called wear bars, that show across the tread of a tire when only 1/16 inch (1.6 mm) of tread remains. Refer to “When It Is Time for New Tires” in this section.

UTQGS (Uniform Tire Quality Grading Standards):

A tire information system that provides consumers with ratings for a tire’s traction, temperature, and treadwear. Ratings are determined by tire manufacturers using government testing procedures. The ratings are molded into the sidewall of the tire. Refer to “Uniform Tire Quality Grading” in this section.

Vehicle Capacity Weight:

The number of designated seating positions multiplied by 150 lbs (68 kg) plus the rated cargo load. Refer to “Loading Your Vehicle” in “Your Driving, the Road, and Your Vehicle” in the “Driving Your Vehicle” section.

SERVICE AND APPEARANCE CARE

Vehicle Maximum Load on the Tire:

Load on an individual tire due to curb weight, accessory weight, occupant weight, and cargo weight.

Vehicle Placard:

A label permanently attached to a vehicle showing the vehicle's capacity weight and the original equipment tire size and recommended inflation pressure. Refer to "Tire and Loading Information Label" under "Loading Your Vehicle" in "Your Driving, the Road, and Your Vehicle" in the "Driving Your Vehicle" section.

Inflation – Tire Pressure

Tires need the correct amount of air pressure to operate effectively.

CAUTION

Do not let anyone tell you that under-inflation or over-inflation is all right. It is not. If your tires do not have enough air (under-inflation), you can get the following:

- Too much flexing
- Too much heat
- Tire overloading
- Premature or irregular wear
- Poor handling
- Reduced fuel economy

If your tires have too much air (over-inflation), you can get the following:

- Unusual wear
- Poor handling
- Rough ride
- Needless damage from road hazards

A Tire and Loading Information label is attached to the vehicle's center pillar (B-pillar). This label shows your vehicle's original equipment tires and the correct inflation pressures for your tires when they are cold. The recommended cold tire inflation pressure, shown on the label, is the minimum amount of air pressure needed to support your vehicle's maximum load carrying capacity.

For additional information regarding how much weight your vehicle can carry, and an example of the Tire and Loading Information label, refer to "Loading Your Vehi-

cle" in "Your Driving, the Road, and Your Vehicle" in the "Driving Your Vehicle" section. How you load your vehicle affects vehicle handling and ride comfort. Never load your vehicle with more weight than it was designed to carry.

When to Check

Check your tires once a month or more. Do not forget to check the compact spare tire, it should be at 60 psi (420 kPa). For additional information regarding the compact spare tire, refer to "Compact Spare Tire" in this section.

How to Check

Use a good quality pocket-type gage to check tire pressure. You cannot tell if your tires are properly inflated simply by looking at them. Radial tires may look properly inflated even when they are under-inflated. Check the tire's inflation pressure when the tires are cold. Cold means your vehicle has been sitting for at least three hours or driven no more than 1 mile (1.6 km).

Remove the valve cap from the tire valve stem. Press the tire gage firmly onto the valve to get a pressure measurement. If the cold tire inflation pressure matches the recommended pressure on the Tire and Loading Information label, no further adjustment is necessary. If the inflation pressure is low, add air until you reach the recommended amount.

SERVICE AND APPEARANCE CARE

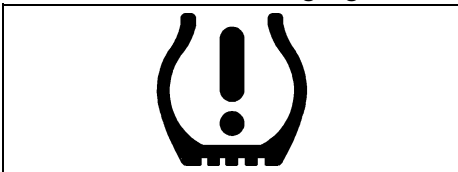
If you overfill the tire, release air by pushing on the metal stem in the center of the tire valve. Re-check the tire pressure with the tire gage.

Be sure to put the valve caps back on the valve stems. They help prevent leaks by keeping out dirt and moisture.

Tire Pressure Monitor System

Your vehicle has a Tire Pressure Monitor System (TPMS). This system uses radio and sensor technology to check tire pressure levels. TPMS sensors are mounted onto each tire and wheel assembly, except for the spare tire. The TPMS sensors monitor the air pressure in your vehicle's tires and transmit tire pressure readings to a receiver located in the vehicle.

Low Tire Pressure Warning Light



1198521

⚠ WARNING

Each tire, including the spare (if provided), should be checked monthly when cold and inflated to the inflation pressure recommended by the vehicle manufacturer on the vehicle placard or tire inflation pressure label. (If your vehicle has tires of a different size than the size indicated on the vehicle placard or tire inflation pressure label, you should determine the proper tire inflation pressure for those tires.)

As an added safety feature, your vehicle has been equipped with a tire pressure monitoring system (TPMS) that illuminates a low tire pressure telltale when one or more of your tires is significantly under-inflated. Accordingly, when the low tire pressure telltale illuminates, you should stop and check your tires as soon as possible, and inflate them to the proper pressure. Driving on a significantly under-inflated tire causes the tire to overheat and can lead to tire failure. Under-inflation also reduces fuel efficiency and tire tread life, and may affect the vehicle's handling and stopping ability.

(Continued)

⚠ WARNING

(Continued)

Please note that the TPMS is not a substitute for proper tire maintenance, and it is the driver's responsibility to maintain correct tire pressure, even if under-inflation has not reached the level to trigger illumination of the TPMS low tire pressure telltale.

Your vehicle has also been equipped with a TPMS malfunction indicator to indicate when the system is not operating properly. The TPMS malfunction indicator is combined with the low tire pressure telltale. When the system detects a malfunction, the telltale will flash for approximately one minute and then remain continuously illuminated. This sequence will continue upon subsequent vehicle start-ups as long as the malfunction exists.

When the malfunction indicator is illuminated, the system may not be able to detect or signal low tire pressure as intended. TPMS malfunctions may occur for a variety of reasons, including the installation of replacement or alternate tires or wheels on the vehicle that prevent the TPMS from functioning properly. Always check the TPMS malfunction telltale after replacing one or more tires or wheels on your vehicle to ensure that the replacement or alternate tires and wheels

SERVICE AND APPEARANCE CARE

allow the TPMS to continue to function properly.

When a low tire pressure condition is detected, the TPMS will illuminate the low tire pressure warning symbol on the instrument panel cluster, and at the same time a message to check the pressure in a specific tire will appear on the Driver Information Center (DIC) display. The low tire pressure warning symbol on the instrument panel cluster and the check tire pressure message will appear at each ignition cycle until the tires are inflated to the correct inflation pressure. Using the DIC, tire pressure levels can be viewed by the driver. For additional information and details about the DIC operation and displays refer to "DIC Operation and Displays" and "DIC Warnings and Messages" in "Driver Information Center (DIC)" in the "Instrument Panel" section.

The low tire pressure warning light may come on in cool weather when the vehicle is first started, and then turn off as you start to drive. This may be an early indicator that the air pressure in the tire(s) are getting low and need to be inflated to the proper pressure.

A Tire and Loading Information Label, attached to your vehicle, shows the size of your vehicle's original equipment tires and the correct inflation pressure for your vehicle's tires when they are cold. Refer to "Loading Your Vehicle" in "Your Driving,

the Road, and Your Vehicle" in the "Driving Your Vehicle" section, for an example of the Tire and Loading Information Label and its location on your vehicle. Also refer to "Inflation - Tire Pressure" in this section.

Your vehicle's TPMS system can warn you about a low tire pressure condition but it does not replace normal tire maintenance. Refer to "Tire Inspection and Rotation" and "Tires" in this section.

CAUTION

Do not use a tire sealant if your vehicle has Tire Pressure Monitors. The liquid sealant can damage the tire pressure monitor sensors.

The TPMS will not function properly if one or more of the TPMS sensors are missing or inoperable. If the system detects a missing or inoperable sensor, an error message SERVICE TIRE MONITOR SYSTEM will be shown on the DIC display. If you have replaced a tire/wheel assembly without transferring the TPMS sensors, the error message will be displayed. Once you re-install the TPMS sensors, the error message should go off. See your SUZUKI dealer for service if all TPMS sensors are installed and the error message comes on and stays on.

TPMS Sensor Matching Process

Each TPMS sensor has a unique identification code. Any time you replace one or

more of the TPMS sensors or rotate the vehicle's tires, the identification codes will need to be matched to the new tire/wheel position. The sensors are matched, to the tire/wheel positions, in the following order: driver side front tire, passenger side front tire, passenger side rear tire, and driver side rear tire using a TPMS diagnostic tool. See your SUZUKI dealer for service.

The TPMS sensors may also be matched to each tire/wheel position by increasing or decreasing the tire's air pressure. When increasing the tire's pressure, do not exceed the maximum inflation pressure indicated on the tire's sidewall.

You will have two minutes to match each tire and wheel position. If it takes longer than two minutes to match any tire and wheel position, the matching process stops and you will need to start over.

The TPMS matching process is outlined below:

- 1) Set the parking brake.
- 2) Turn the ignition switch to RUN with the engine off.
- 3) Using the DIC, press the vehicle information button until the TIRE LOCATIONS PRESS TO LEARN message displays.
- 4) Press the set/reset button to allow the system to learn the tire positions. The horn will sound twice to indicate the receiver is ready, and the TIRE LEARNING ACTIVE message displays.

SERVICE AND APPEARANCE CARE

The TPMS system is ready for the sensor matching process to begin.

- 5) Start with the driver side front tire.
- 6) Remove the valve cap from the tire's valve stem. Activate the TPMS sensor by increasing or decreasing the tire's air pressure for five seconds, or until a horn chirp sounds. The horn chirp, which may take up to 30 seconds to sound, confirms that the sensor identification code has been matched to the tire/wheel position. To decrease the tire's air-pressure use the pointed end of the valve cap, a pencil-style air pressure gage, or a key.
- 7) Proceed to the passenger side front tire, and repeat the procedure in Step 6.
- 8) Proceed to the passenger side rear tire, and repeat the procedure in Step 6.
- 9) Proceed to the driver side rear tire, and repeat the procedure in Step 6.
- 10) After hearing the confirming horn chirp for the driver side rear tire, the tire learning process ends. Turn the ignition switch to LOCK.
- 11) Set all four tires to the recommended air pressure level as indicated on the tire and loading information label.
- 12) Put the valve caps back on the valve stems.

Federal Communications Commission (FCC) and Industry and Science Canada
The Tire Pressure Monitor System (TPMS) operates on a radio frequency and complies with Part 15 of the FCC Rules. Oper-

ation is subject to the following two conditions:

- 1) This device may not cause harmful interference.
- 2) This device must accept any interference received, including interference that may cause undesired operation.

The Tire Pressure Monitor System (TPMS) operates on a radio frequency and complies with RSS-210 of Industry and Science Canada. Operation is subject to the following two conditions:

- 1) This device may not cause interference.
- 2) This device must accept any interference received, including interference that may cause undesired operation of the device.

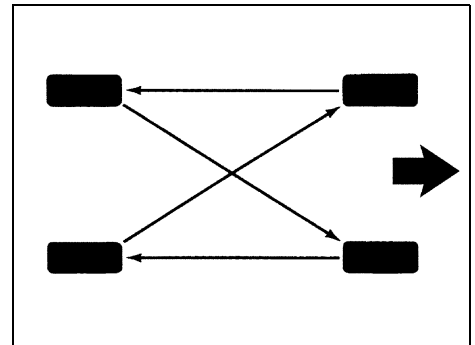
Changes or modifications to this system by other than an authorized service facility could void authorization to use this equipment.

Tire Inspection and Rotation

Tires should be rotated every 5000 to 8000 miles (8000 to 13000 km).

Any time you notice unusual wear, rotate your tires as soon as possible and check wheel alignment. Also check for damaged tires or wheels. Refer to "When It Is Time for New Tires" and "Wheel Replacement" in this section for more information.

The purpose of regular rotation is to achieve more uniform wear for all tires on the vehicle. The first rotation is the most important. Refer to "Scheduled Maintenance" in "Maintenance Schedule" in the "Maintenance Schedule" section for scheduled rotation intervals.



811106

When rotating your tires, always use the correct rotation pattern shown here.

Do not include the compact spare tire in your tire rotation.

After the tires have been rotated, adjust the front and rear inflation pressures as shown on the Tire and Loading Information label. Refer to "Inflation -Tire Pressure" in this section and "Loading Your Vehicle" in "Your Driving, the Road, and Your Vehicle" in the "Driving Your Vehicle" section.

SERVICE AND APPEARANCE CARE

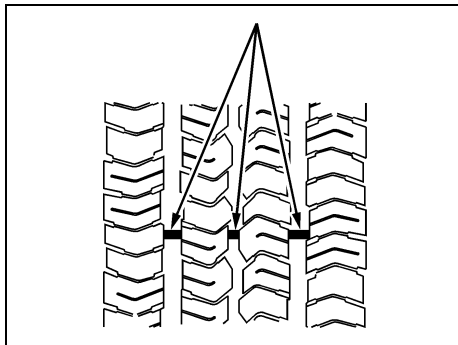
Reset the Tire Pressure Monitor System. Refer to "TPMS Sensor Matching Process" under "Tire Pressure Monitor System" in this section.

Make certain that all wheel nuts are properly tightened. Refer to "Wheel Nut Torque" under "Capacities and Specifications" in this section.

WARNING

Rust or dirt on a wheel, or on the parts to which it is fastened, can make wheel nuts become loose after time. The wheel could come off and cause an accident. When you change a wheel, remove any rust or dirt from places where the wheel attaches to the vehicle. In an emergency, you can use a cloth or a paper towel to do this; but be sure to use a scraper or wire brush later, if needed, to get all the rust or dirt off. Refer to "Changing a Flat Tire" in this section.

When It Is Time for New Tires



806296

One way to tell when it is time for new tires is to check the treadwear indicators, which will appear when your tires have only 1/16 inch (1.6 mm) or less of tread remaining. Some commercial truck tires may not have treadwear indicators.

You need a new tire if any of the following statements are true:

- You can see the indicators at three or more places around the tire.
- You can see cord or fabric showing through the tire's rubber.
- The tread or sidewall is cracked, cut or snagged deep enough to show cord or fabric.
- The tire has a bump, bulge, or split.
- The tire has a puncture, cut, or other damage that cannot be repaired well

because of the size or location of the damage.

Buying New Tires

The original equipment tires installed on your vehicle, when it was new, were designed to meet the Tire Performance Criteria Specification (TPC spec) system rating. If you need replacement tires, Suzuki strongly recommends that you get tires with the same TPC Spec rating. This way, your vehicle will continue to have tires that are designed to give the same performance and vehicle safety, during normal use, as the original tires.

The exclusive TPC Spec system considers over a dozen critical specifications that impact the overall performance of your vehicle, including brake system performance, ride and handling, traction control, and tire pressure monitoring performance. The TPC Spec number is molded onto the tire's sidewall by the tire manufacturer. If the tires have an all-season tread design, the TPC spec number will be followed by a MS, for mud and snow. Refer to "Tire Sidewall Labeling" in this section for additional information.

SERVICE AND APPEARANCE CARE

⚠ WARNING

Mixing tires could cause you to lose control while driving. If you mix tires of different sizes, brands, or types (radial and bias-belted tires), the vehicle may not handle properly, and you could have a crash. Using tires of different sizes, brands, or types may also cause damage to your vehicle. Be sure to use the correct size, brand, and type of tires on all wheels. It is all right to drive with your compact spare temporarily, as it was developed for use on your vehicle. Refer to "Compact Spare Tire" in this section.

⚠ WARNING

If you use bias-ply tires on your vehicle, the wheel rim flanges could develop cracks after many miles of driving. A tire and/or wheel could fail suddenly, causing a crash. Use only radial-ply tires with the wheels on your vehicle.

If you must replace your vehicle's tires with those that do not have a TPC Spec number, make sure they are the same size, load range, speed rating, and construction type (radial and bias-belted tires) as your vehicle's original tires.

Vehicles that have a tire pressure monitoring system may give an inaccurate low-pressure warning if Non-TPC Spec rated tires are installed on your vehicle. Non-TPC Spec rated tires may give a low-pressure warning that is higher or lower than the proper warning level you would get with TPC Spec rated tires. Refer to "Tire Pressure Monitor System" in this section.

Your vehicle's original equipment tires are listed on the Tire and Loading Information Label. This label is attached to the vehicle's center pillar (B-pillar). Refer to "Loading Your Vehicle" in "Your Driving, the Road, and Your Vehicle" in the "Driving Your Vehicle" section, for more information about the Tire and Loading Information Label.

Different Size Tires and Wheels

If you add wheels or tires that are a different size than your original equipment wheels and tires, this may affect the way your vehicle performs, including its braking, ride and handling characteristics, stability and resistance to rollover. Additionally, if your vehicle has electronic systems such as, anti-lock brakes, traction control, and electronic stability control, the performance of these systems can be affected.

⚠ WARNING

If you add different sized wheels, your vehicle may not provide an acceptable level of performance and safety if tires not recommended for those wheels are selected. You may increase the chance that you will crash and suffer serious injury. Only use Suzuki specific wheel and tire systems developed for your vehicle, and have them properly installed by a Suzuki certified technician.

Refer to "Buying New Tires" and "Accessories and Modifications" in this section for additional information.

Uniform Tire Quality Grading

Quality grades can be found where applicable on the tire sidewall between tread shoulder and maximum section width. For example:

Treadwear 200 Traction AA Temperature A

The following information relates to the system developed by the United States National Highway Traffic Safety Administration (NHTSA), which grades tires by treadwear, traction, and temperature performance. This applies only to vehicles sold in the United States. The grades are molded on the sidewalls of most passenger car tires. The Uniform Tire Quality Grading (UTQG) system does not apply to

SERVICE AND APPEARANCE CARE

deep tread, winter-type snow tires, space-saver, or temporary use spare tires, tires with nominal rim diameters of 10 to 12 inches (25 to 30 cm), or, to some limited-production tires.

While the tires available may vary with respect to these grades, they must also conform to federal safety requirements.

Treadwear

The treadwear grade is a comparative rating based on the wear rate of the tire when tested under controlled conditions on a specified government test course. For example, a tire graded 150 would wear one and a half (1.5) times as well on the government course as a tire graded 100. The relative performance of tires depends upon the actual conditions of their use, however, and may depart significantly from the norm due to variations in driving habits, service practices, and differences in road characteristics and climate.

Traction – AA, A, B, C

The traction grades, from highest to lowest, are AA, A, B, and C. Those grades represent the tire's ability to stop on wet pavement as measured under controlled conditions on specified government test surfaces of asphalt and concrete. A tire marked C may have poor traction performance.

WARNING

The traction grade assigned to this tire is based on straight-ahead braking traction tests, and does not include acceleration, cornering, hydroplaning, or peak traction characteristics.

Temperature – A, B, C

The temperature grades are A (the highest), B, and C, representing the tire's resistance to the generation of heat and its ability to dissipate heat when tested under controlled conditions on a specified indoor laboratory test wheel. Sustained high temperature can cause the material of the tire to degenerate and reduce tire life, and excessive temperature can lead to sudden tire failure. The grade C corresponds to a level of performance which all passenger car tires must meet under the Federal Motor Vehicle Safety Standard No. 109. Grades B and A represent higher levels of performance on the laboratory test wheel than the minimum required by law.

WARNING

The temperature grade for this tire is established for a tire that is properly inflated and not overloaded. Excessive speed, underinflation, or excessive loading, either separately or in combination, can cause heat buildup and possible tire failure.

Wheel Alignment and Tire Balance

The tires and wheels on your vehicle were aligned and balanced carefully at the factory to give you the longest tire life and best overall performance. Adjustments to wheel alignment and tire balancing will not be necessary on a regular basis. However, if you notice unusual tire wear or your vehicle pulling to one side or the other, the alignment may need to be checked. If you notice your vehicle vibrating when driving on a smooth road, your tires and wheels may need to be rebalanced. See your dealer for proper diagnosis.

SERVICE AND APPEARANCE CARE

Wheel Replacement

Replace any wheel that is bent, cracked, or badly rusted or corroded. If wheel nuts keep coming loose, the wheel, wheel bolts, and wheel nuts should be replaced. If the wheel leaks air, replace it (except some aluminum wheels, which can sometimes be repaired). See your dealer if any of these conditions exist.

Your dealer will know the kind of wheel you need.

Each new wheel should have the same load-carrying capacity, diameter, width, offset, and be mounted the same way as the one it replaces.

If you need to replace any of your wheels, wheel bolts or wheel nuts, replace them only with new original equipment parts. This way, you will be sure to have the right wheel, wheel bolts, and wheel nuts for your vehicle.

WARNING

Using the wrong replacement wheels, wheel bolts, or wheel nuts on your vehicle can be dangerous. It could affect the braking and handling of your vehicle, make your tires lose air and make you lose control. You could have a collision in which you or others could be injured. Always use the correct wheel, wheel bolts, and wheel nuts for replacement.

CAUTION

The wrong wheel can also cause problems with bearing life, brake cooling, speedometer or odometer calibration, headlamp aim, bumper height, vehicle ground clearance, and tire or tire chain clearance to the body and chassis.

Refer to "Changing a Flat Tire" in this section for more information.

Used Replacement Wheels

WARNING

Putting a used wheel on your vehicle is dangerous. You cannot know how it has been used or how far it has been driven. It could fail suddenly and cause a crash. If you have to replace a wheel, use a new original equipment wheel.

Tire Chains

WARNING

Do not use tire chains. There is not enough clearance. Tire chains used on a vehicle without the proper amount of clearance can cause damage to the brakes, suspension or other vehicle parts. The area damaged by the tire chains could cause you to lose control of your vehicle and you or others may be injured in a crash.

Use another type of traction device only if its manufacturer recommends it for use on your vehicle and tire size combination and road conditions. Follow that manufacturer's instructions. To help avoid damage to your vehicle, drive slowly, readjust or remove the device if it is contacting your vehicle, and do not spin your vehicle's wheels. If you do find traction devices that will fit, install them on the front tires.

If a Tire Goes Flat

It is unusual for a tire to blowout while you are driving, especially if you maintain your vehicle's tires properly. If air goes out of a tire, it is much more likely to leak out slowly. But if you should ever have a blowout, here are a few tips about what to expect and what to do:

SERVICE AND APPEARANCE CARE

If a front tire fails, the flat tire will create a drag that pulls the vehicle toward that side. Take your foot off the accelerator pedal and grip the steering wheel firmly. Steer to maintain lane position, and then gently brake to a stop well out of the traffic lane.

A rear blowout, particularly on a curve, acts much like a skid and may require the same correction you would use in a skid. In any rear blowout remove your foot from the accelerator pedal. Get the vehicle under control by steering the way you want the vehicle to go. It may be very bumpy and noisy, but you can still steer. Gently brake to a stop, well off the road if possible.

⚠ WARNING

Lifting a vehicle and getting under it to do maintenance or repairs is dangerous without the appropriate safety equipment and training. The jack provided with your vehicle is designed only for changing a flat tire. If it is used for anything else, you or others could be badly injured or killed if the vehicle slips off the jack. Use the jack provided with your vehicle only for changing a flat tire.

If a tire goes flat, the next part shows how to use the jacking equipment to change a flat tire safely.

Changing a Flat Tire

If a tire goes flat, avoid further tire and wheel damage by driving slowly to a level place. Turn on your vehicle's hazard warning flashers. Refer to "Hazard Warning Flashers" in "Instrument Panel Overview" in the "Instrument Panel" section for more information.

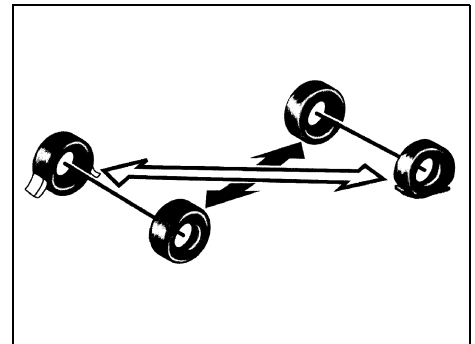
⚠ WARNING

Changing a tire can be dangerous. The vehicle can slip off the jack and roll over or fall on you or other people. You and they could be badly injured or even killed. Find a level place to change your tire. To help prevent the vehicle from moving:

- 1) Set the parking brake firmly.
- 2) Put the shift lever in PARK (P).
- 3) Turn off the engine and do not restart while the vehicle is raised.
- 4) Do not allow passengers to remain in the vehicle.

To be even more certain the vehicle will not move, you should put blocks at the front and rear of the tire farthest away from the one being changed. That would be the tire, on the other side, at the opposite end of the vehicle.

When your vehicle has a flat tire, use the following example as a guide to assist you in the placement of wheel blocks.



809231

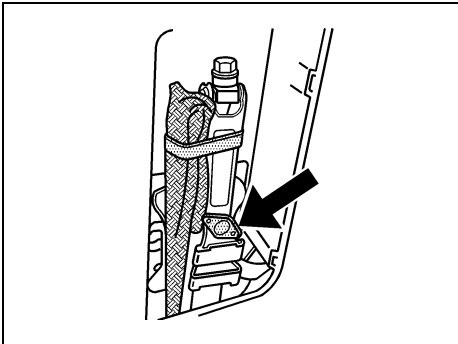
The following information will tell you next how to use the jack and change a tire.

Removing the Spare Tire and Tools

To access the tools, do the following:

- 1) Locate the jack and wheel wrench, which are located on the passenger's side of the rear cargo area, behind an access door. Pull out the access door to reach them.

SERVICE AND APPEARANCE CARE



1399885

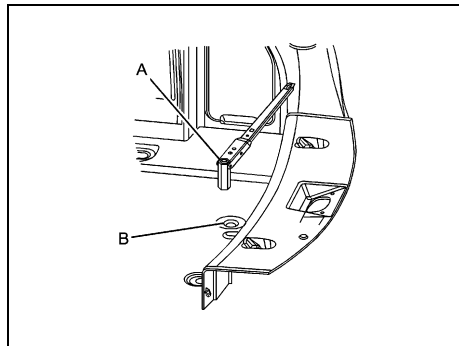
- 2) Remove the wing-bolt on the jack and then remove it.
- 3) Remove the hook and loop fastener straps holding the bag containing the wheel wrench. Remove the wheel wrench from the bag.

The following instructions explain how to remove the underbody-mounted spare tire underneath your vehicle.

CAUTION

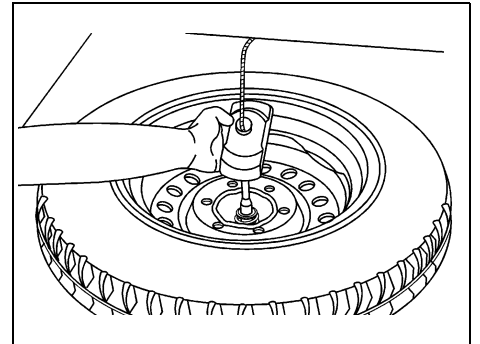
If you remove or restow a tire from/to the storage position under the vehicle while it is supported by a jack, you could damage the tire and/or your vehicle. Always remove or restow a tire when the vehicle is on the ground.

- 1) Open the liftgate. Refer to "Liftgate" in "Doors and Locks" in the "Features and Controls" section for more information.



1751347

- 2) Place the wheel wrench (A) onto the hoist drive nut (B).
- 3) Turn the wheel wrench counterclockwise to lower the spare tire. Keep turning the wheel wrench until the spare tire can be pulled out from under the vehicle. If the spare tire does not lower to the ground, the secondary latch is engaged causing the tire not to lower. Refer to "Secondary Latch System" in this section for more information.



1306942

- 4) Tilt the retainer at the end of the cable when the tire has been completely lowered, and pull it through the wheel opening.
- 5) Pull the tire out from under the vehicle.

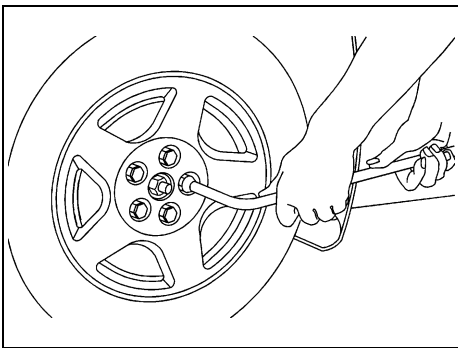
CAUTION

If you drive away before the spare tire or secondary latch system cable has been reinstalled, you could damage your vehicle. Always reinstall this cable before driving your vehicle.

- 6) Put the spare tire near the flat tire.

SERVICE AND APPEARANCE CARE

Removing the Flat Tire and Installing the Spare Tire

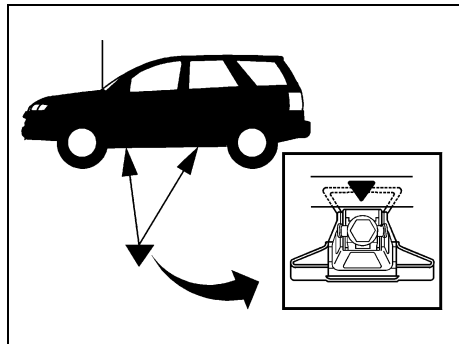


809981

- 1) Use the wheel wrench to loosen all the wheel nuts. Do not remove them yet.
- 2) Attach the wheel wrench to the jack bolt head and rotate the wheel wrench clockwise. That will raise the lift head a little.
- 3) Place the jack near the flat tire.

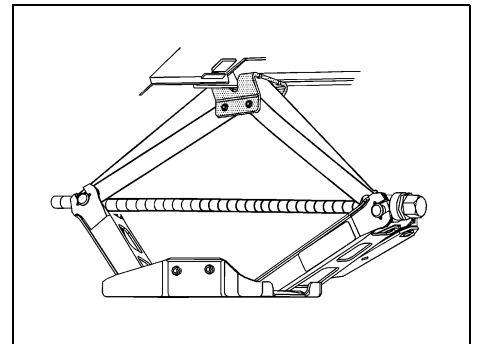
CAUTION

Make sure that the jack lift head is in the correct position or you may damage your vehicle. The repairs would not be covered by your warranty.



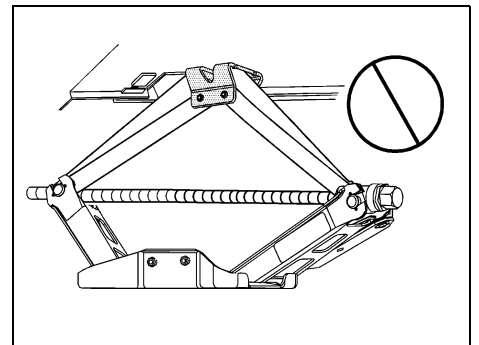
1399879

- 4) Find the arrow on the plastic lower body panel. Position the jack head under the metal jacking flange and not the plastic lower body panel.



1587905

With the jack head positioned correctly on the metal jacking flange, it should look like this from underneath.



1587906

Do not lift the vehicle using the plastic lower body panel.

SERVICE AND APPEARANCE CARE

- 5) Put the compact spare tire near the flat tire.

⚠ WARNING

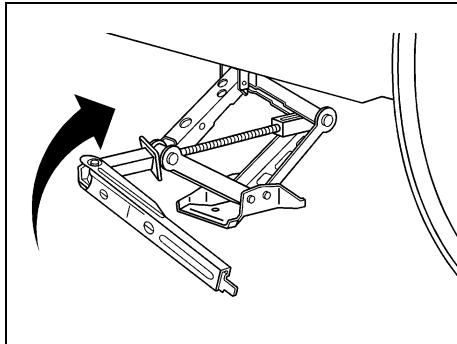
Getting under a vehicle when it is jacked up is dangerous. If the vehicle slips off the jack you could be badly injured or killed. Never get under a vehicle when it is supported only by a jack.

⚠ WARNING

Raising your vehicle with the jack improperly positioned can damage the vehicle and even make the vehicle fall. To help avoid personal injury and vehicle damage, be sure to fit the jack lift head into the proper location before raising the vehicle.

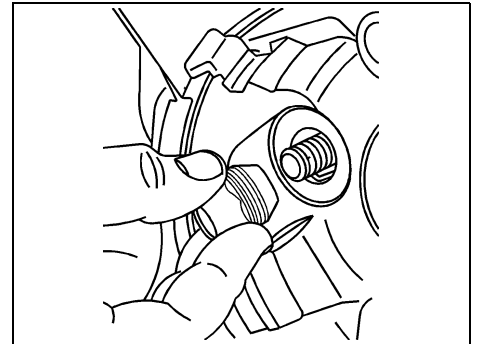
⚠ WARNING

Lifting a vehicle and getting under it to do maintenance or repairs is dangerous without the appropriate safety equipment and training. The jack provided with your vehicle is designed only for changing a flat tire. If it is used for anything else, you or others could be badly injured or killed if the vehicle slips off the jack. Use the jack provided with your vehicle only for changing a flat tire.



988777

- 6) Raise the vehicle by turning the jack handle clockwise. Raise the vehicle far enough off the ground so there is enough room for the road tire to clear the ground.



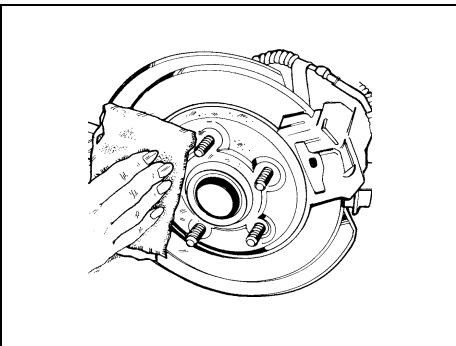
806071

- 7) Remove all of the wheel nuts.
8) Remove the flat tire.

⚠ WARNING

Rust or dirt on the wheel, or on the parts to which it is fastened, can make the wheel nuts become loose after time. The wheel could come off and cause an accident. When you change a wheel, remove any rust or dirt from the places where the wheel attaches to the vehicle. In an emergency, you can use a cloth or a paper towel to do this; but be sure to use a scraper or wire brush later, if needed, to get all the rust or dirt off.

SERVICE AND APPEARANCE CARE



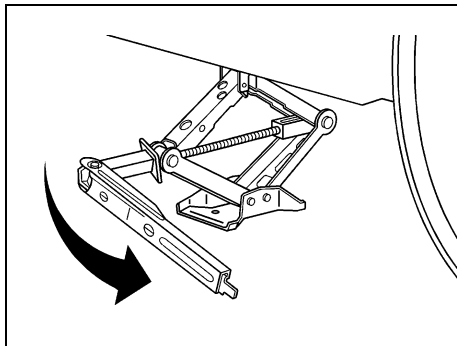
811105

- 9) Remove any rust or dirt from the wheel bolts, mounting surfaces, and spare wheel.
- 10) Place the compact spare tire on the wheel-mounting surface.

⚠ WARNING

Never use oil or grease on studs or nuts. If you do, the nuts might come loose. Your wheel could fall off, causing a serious accident.

- 11) Reinstall the wheel nuts. Tighten each nut by hand until the wheel is held against the hub.



1152288

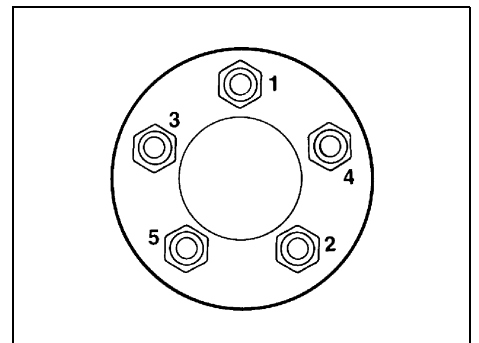
- 12) Lower the vehicle by turning the jack handle counterclockwise.

⚠ WARNING

Incorrect wheel nuts or improperly tightened wheel nuts can cause the wheel to come loose and even come off. This could lead to an accident. Be sure to use the correct wheel nuts. If you have to replace them, be sure to get new SUZUKI original equipment wheel nuts. Stop somewhere as soon as you can and have the nuts tightened with a torque wrench to the proper torque specification. Refer to "Capacities and Specifications" in this section for wheel nut torque specification.

CAUTION

Improperly tightened wheel nuts can lead to brake pulsation and rotor damage. To avoid expensive brake repairs, evenly tighten the wheel nuts in the proper sequence and to the proper torque specification. Refer to "Capacities and Specifications" in this section for the wheel nut torque specification.



808642

- 13) Tighten the wheel nuts firmly in a criss-cross sequence, as shown.
- 14) Lower the jack all the way and remove the jack from under the vehicle.
- 15) Tighten the wheel nuts firmly with the wheel wrench.

SERVICE AND APPEARANCE CARE

Secondary Latch System

Your vehicle has an underbody mounted tire hoist assembly equipped with a secondary latch system. It is designed to stop the compact spare tire from suddenly falling off your vehicle if the cable holding the spare tire is damaged. For the secondary latch to work, the tire must be stowed with the valve stem pointing down. Refer to "Storing a Flat or Spare Tire and Tools" in this section for instructions on storing the spare tire correctly.

⚠ WARNING

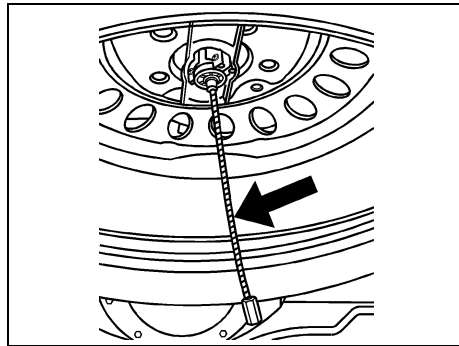
Before beginning this procedure read all the instructions. Failure to read and follow the instructions could damage the hoist assembly and you and others could get hurt. Read and follow the instructions listed next.

⚠ WARNING

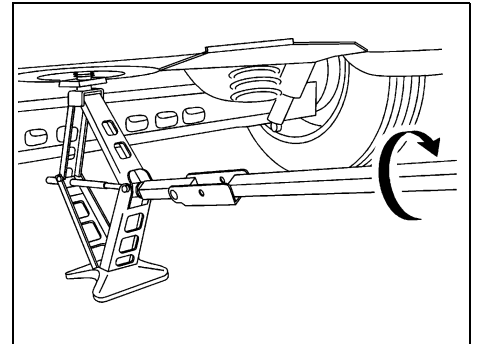
Someone standing too close during the procedure could be injured by the jack. If the spare tire does not slide off the jack completely, make sure no one is behind you or on either side of you as you pull the jack out from the under spare.

To release the spare tire from the secondary latch, do the following:

- 1) If the cable is not visible, start this procedure at Step 3.

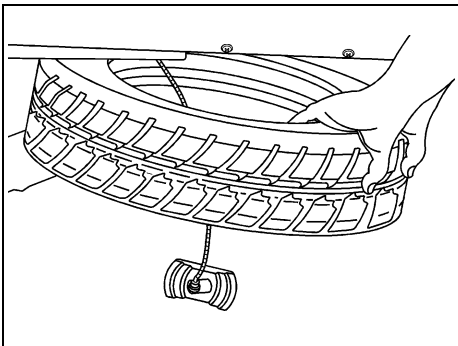


- 2) If the cable is visible, place the wrench on the hoist drive nut and turn the wrench counterclockwise until approximately 6 inches (15 cm) of cable is exposed.
- 3) Attach the wheel wrench to the jack and raise the jack at least 10 turns.
- 4) Place the jack under the vehicle, ahead of the rear bumper. Position the center lift point of the jack under the center of the spare tire.



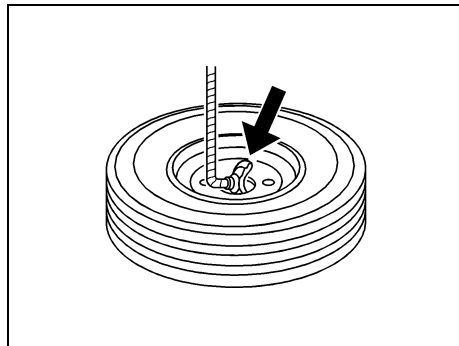
- 5) Turn the wheel wrench clockwise to raise the jack until it lifts the secondary latch spring.
- 6) Keep raising the jack until the spare tire stops moving upward and is held firmly in place, this lets you know that the secondary latch has released.
- 7) Lower the jack by turning the wheel wrench counterclockwise. Keep lowering the jack until the spare tire is resting on the wheel wrench.

SERVICE AND APPEARANCE CARE



806548

- 8) Grasp the spare tire with both hands and pull it out from under the vehicle.
- 9) Reach under the vehicle and remove the wheel wrench and jack.



1613524

- 10) Tilt the retainer and slip it through the wheel opening when the spare tire has been completely lowered.
- 11) Turn the wrench clockwise to raise the cable back up if the cable is hanging.

Have the hoist assembly inspected as soon as you can. You will not be able to store a spare tire using the hoist assembly until it has been repaired or replaced.

Storing a Compact Spare Tire

⚠ WARNING

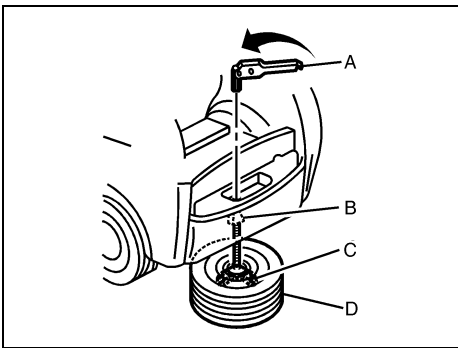
Storing a jack, a tire, or other equipment in the passenger compartment of the vehicle could cause injury. In a sudden stop or collision, loose equipment could strike someone. Store all these in the proper place.

⚠ WARNING

The underbody-mounted spare tire needs to be stored with the valve stem pointing down. If the spare tire is stored with the valve stem pointing upward, its secondary latch will not work properly and the spare tire could loosen and suddenly fall from your vehicle. If this happened when your vehicle was being driven, the tire might contact a person or another vehicle, causing injury and, of course, damage to itself as well. Be sure the underbody-mounted spare tire is stored with its valve stem pointing down.

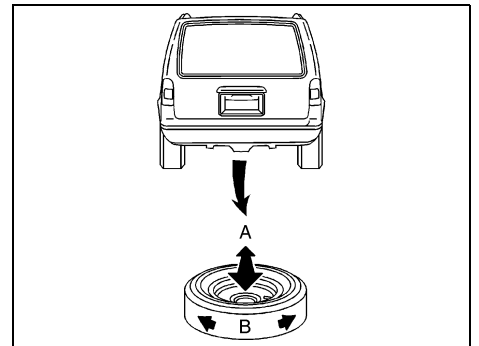
SERVICE AND APPEARANCE CARE

Follow this diagram to store the under-body-mounted spare tire.



- A. Wheel Wrench
- B. Hoist Shaft
- C. Secondary Retainer
- D. Spare Tire
(Valve Stem Pointed Down)

- 1) Put the tire (D) on the ground at the rear of the vehicle.
- 2) Ensure the valve stem is pointed down and to the rear. Then pull the retainer (C) through the wheel.
- 3) Pull the secondary retainer (C) through the wheel. The secondary retainer is located under the secondary latch spring and is smaller than the spare tire retainer to allow it to fit through the road wheel center cap hole.
- 4) Place the wheel wrench (A) onto the hoist drive nut.
- 5) Raise the tire fully against the underside of the vehicle by turning the wheel wrench clockwise. Continue turning it clockwise until you hear two clicks or feel it skip twice. This indicates that the tire is secure and the cable is tight. The spare tire hoist cannot be overtightened.

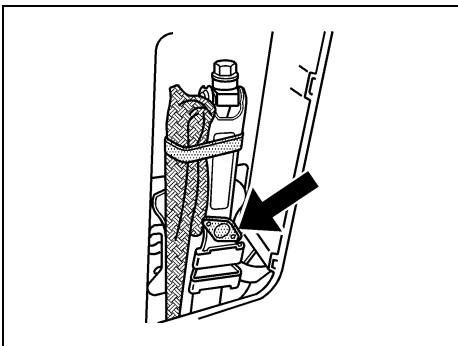


- 6) Make sure the tire is stored securely. Push, pull (A), and then try to turn (B) the tire. If the tire moves, use the wheel wrench and socket end of the extension to tighten the cable.
- 7) Return the equipment to the proper location in the vehicle as shown next.

SERVICE AND APPEARANCE CARE

To store the tools, do the following:

- 1) Place the wheel wrench into the bag.
- 2) Use the hook and loop fastener straps to secure the bag to the fully collapsed jack.

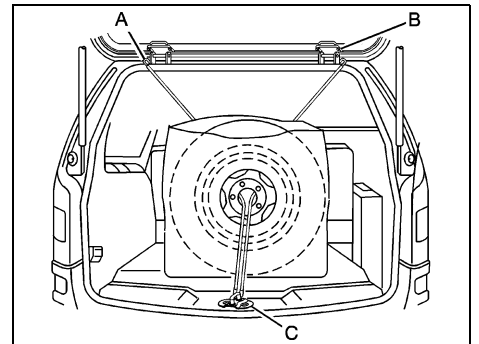


- 3) Install the jack in the right side panel of cargo area and secure with the wing bolt.
- 4) Reinstall the access door.

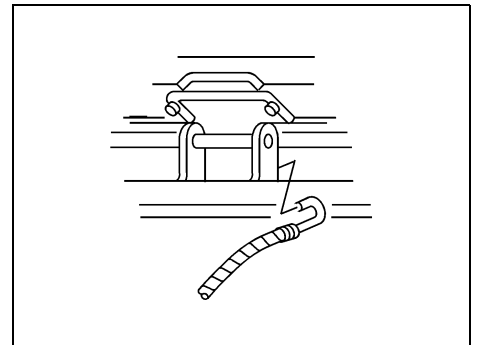
Storing a Full-Sized Flat Tire

To store a full-sized flat tire do the following:

- 1) Remove the tire storage bag and cable package from the jack storage area.
- 2) If your vehicle has aluminum wheels, remove the center cap by tapping the back of the cap with the wheel wrench.
- 3) If your vehicle has Third Row Seating, fold down the seat backs. Refer to "Third Row Seat" in "Rear Seats" in the "Seats and Restraint Systems" section.
- 4) Put the flat tire in the tire storage bag and place it in the rear storage area. If your vehicle has Third Row Seating, place the tire with the valve stem pointing toward the front of the vehicle. If your vehicle does not have Third Row Seating, place the tire with the valve stem pointing toward the rear of the vehicle.



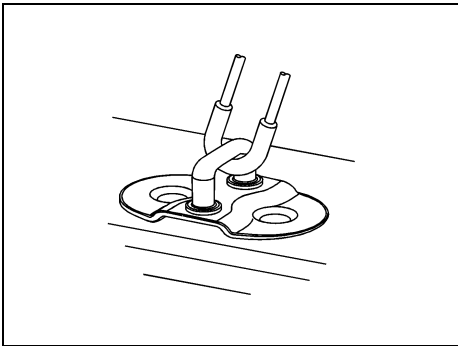
- 5) Pull the cable (A) through the door striker (C) and the center of the wheel.



- 6) Hook the cable (A) onto the outside of the liftgate hinges (B).

SERVICE AND APPEARANCE CARE

- 7) Pull on the cable to make sure it is secure.



1829968

- 8) Make sure the metal tube is center at the striker. Push the tube towards the front of the vehicle.
- 9) Close the liftgate.
- 10) If your vehicle has Third Row Seating, return the third row seat to their upright position. Refer to "Third Row Seat" in "Rear Seats" in the "Seats and Restraint Systems" section.

Compact Spare Tire

Although the compact spare tire was fully inflated when the vehicle was new, it can lose air after a time. Check the inflation pressure regularly. It should be 60 psi (420 kPa).

After installing the compact spare on the vehicle, you should stop as soon as possi-

ble and make sure the spare tire is correctly inflated. The compact spare is made to perform well at speeds up to 65 mph (105 km/h) for distances up to 3000 miles (5000 km), so you can finish your trip and have the full-size tire repaired or replaced where you want. You must calibrate the tire inflation monitor system, if your vehicle has this feature, after installing or removing the compact spare. Refer to "Tire Pressure Monitor System" in this section. The system may not work correctly when the compact spare is installed on the vehicle. Of course, it's best to replace the spare with a full-size tire as soon as you can. The spare will last longer and be in good shape in case you need it again.

CAUTION

Tire chains will not fit your compact spare. Using them can damage your vehicle and can damage the chains too. Do not use tire chains on your compact spare.

CAUTION

When the compact spare is installed, do not take your vehicle through an automatic car wash with guide rails. The compact spare can get caught on the rails. That can damage the tire and wheel, and maybe other parts of your vehicle.

Do not use the compact spare on other vehicles. And do not mix the compact spare tire or wheel with other wheels or tires. They will not fit. Keep the spare tire and its wheel together.

SERVICE AND APPEARANCE CARE

Appearance Care

Cleaning the Inside of Your Vehicle

Your vehicle's interior will continue to look its best if it is cleaned often. Although not always visible, dust and dirt can accumulate on your upholstery. Dirt can damage carpet, fabric, leather, and plastic surfaces. Regular vacuuming is recommended to remove particles from your upholstery. It is important to keep your upholstery from becoming and remaining heavily soiled. Soils should be removed as quickly as possible. Your vehicle's interior may experience extremes of heat that could cause stains to set rapidly.

Lighter colored interiors may require more frequent cleaning. Use care because newspapers and garments that transfer color to your home furnishings may also transfer color to your vehicle's interior.

When cleaning your vehicle's interior, only use cleaners specifically designed for the surfaces being cleaned. Permanent damage may result from using cleaners on surfaces for which they were not intended. Use glass cleaner only on glass. Remove any accidental over-spray from other surfaces immediately. To prevent over-spray, apply cleaner directly to the cleaning cloth.

CAUTION

If you use abrasive cleaners when cleaning glass surfaces on your vehicle, you could scratch the glass and/or cause damage to the rear window defogger. When cleaning the glass on your vehicle, use only a soft cloth and glass cleaner.

Many cleaners contain solvents that may become concentrated in your vehicle's breathing space. Before using cleaners, read and adhere to all safety instructions on the label. While cleaning your vehicle's interior, maintain adequate ventilation by opening your vehicle's doors and windows.

Dust may be removed from small buttons and knobs using a small brush with soft bristles.

Your SUZUKI dealer has a product for cleaning your vehicle's glass. Should it become necessary, you can also obtain a product from your SUZUKI dealer to remove odors from your vehicle's upholstery.

Do not clean your vehicle using the following cleaners or techniques:

- Never use a knife or any other sharp object to remove a soil from any interior surface.

- Never use a stiff brush. It can cause damage to your vehicle's interior surfaces.
- Never apply heavy pressure or rub aggressively with a cleaning cloth. Use of heavy pressure can damage your interior and does not improve the effectiveness of soil removal.
- Use only mild, neutral-pH soaps. Avoid laundry detergents or dishwashing soaps with degreasers. Using too much soap will leave a residue that leaves streaks and attracts dirt. For liquid cleaners, about 20 drops per gallon (3.78 L) of water is a good guide.
- Do not heavily saturate your upholstery while cleaning.
- Damage to your vehicle's interior may result from the use of many organic solvents such as naphtha, alcohol, etc.

Fabric/Carpet

Use a vacuum cleaner with a soft brush attachment frequently to remove dust and loose dirt. A canister vacuum with a beater bar in the nozzle may only be used on floor carpet and carpeted floor mats. For soils, always try to remove them first with plain water or club soda. Before cleaning, gently remove as much of the soil as possible using one of the following techniques:

- For liquids: gently blot the remaining soil with a paper towel. Allow the soil to absorb into the paper towel until no more can be removed.

SERVICE AND APPEARANCE CARE

- For solid dry soils: remove as much as possible and then vacuum.

To clean, use the following instructions:

- 1) Saturate a lint-free, clean white cloth with water or club soda.
- 2) Wring the cloth to remove excess moisture.
- 3) Start on the outside edge of the soil and gently rub toward the center. Continue cleaning, using a clean area of the cloth each time it becomes soiled.
- 4) Continue to gently rub the soiled area until the cleaning cloth remains clean.
- 5) If the soil is not completely removed, use a mild soap solution and repeat the cleaning process that was used with plain water.

If any of the soil remains, a commercial fabric cleaner or spot lifter may be necessary. When a commercial upholstery cleaner or spot lifter is to be used, test a small hidden area for colorfastness first. If the locally cleaned area gives any impression that a ring formation may result, clean the entire surface.

After the cleaning process has been completed, a paper towel can be used to blot excess moisture from the fabric or carpet.

Leather

A soft cloth dampened with water may be used to remove dust. If a more thorough cleaning is necessary, a soft cloth damp-

ened with a mild soap solution can be used. Allow the leather to dry naturally. Do not use heat to dry. Never use steam to clean leather. Never use spot lifters or spot removers on leather. Many commercial leather cleaners and coatings that are sold to preserve and protect leather may permanently change the appearance and feel of your leather and are not recommended. Do not use silicone or wax-based products, or those containing organic solvents to clean your vehicle's interior because they can alter the appearance by increasing the gloss in a non-uniform manner. Never use shoe polish on your leather.

Instrument Panel, Vinyl, and Other Plastic Surfaces

A soft cloth dampened with water may be used to remove dust. If a more thorough cleaning is necessary, a clean soft cloth dampened with a mild soap solution can be used to gently remove dust and dirt. Never use spot lifters or removers on plastic surfaces. Many commercial cleaners and coatings that are sold to preserve and protect soft plastic surfaces may permanently change the appearance and feel of your interior and are not recommended. Do not use silicone or wax-based products, or those containing organic solvents to clean your vehicle's interior because they can alter the appearance by increasing the gloss in a non-uniform manner.

Some commercial products may increase gloss on your instrument panel. The increase in gloss may cause annoying reflections in the windshield and even make it difficult to see through the windshield under certain conditions.

Care of Safety Belts

Keep belts clean and dry.

WARNING

Do not bleach or dye safety belts. If you do, it may severely weaken them. In a crash, they might not be able to provide adequate protection. Clean safety belts only with mild soap and lukewarm water.

Weatherstrips

Silicone grease on weatherstrips will make them last longer, seal better, and not stick or squeak. Apply silicone grease with a clean cloth. During very cold, damp weather frequent application may be required. Refer to "Recommended Fluids and Lubricants" in "Maintenance Schedule" in the "Maintenance Schedule" section.

Washing Your Vehicle

The paint finish on the vehicle provides beauty, depth of color, gloss retention, and durability.

The best way to preserve the vehicle's finish is to keep it clean by washing it often with lukewarm or cold water.

Do not wash the vehicle in the direct rays of the sun. Use a car washing soap. Do not use strong soaps or chemical detergents. Be sure to rinse the vehicle well, removing all soap residue completely. Approved cleaning products can be obtained from your dealer. Refer to "Vehicle Care/Appearance Materials" in this section. Do not use cleaning agents that are petroleum based, or that contain acid or abrasives. All cleaning agents should be flushed promptly and not allowed to dry on the surface, or they could stain. Dry the finish with a soft, clean chamois or an all-cotton towel to avoid surface scratches and water spotting.

High pressure car washes may cause water to enter the vehicle.

Cleaning Exterior Lamps/Lenses

Use only lukewarm or cold water, a soft cloth and a car washing soap to clean exterior lamps and lenses. Follow instructions under "Washing Your Vehicle" in this section.

Finish Care

Occasional waxing or mild polishing of the vehicle by hand may be necessary to remove residue from the paint finish. Approved cleaning products can be obtained from your dealer. Refer to "Vehi-

cle Care/Appearance Materials" in this section.

CAUTION

Machine compounding or aggressive polishing on a basecoat/clearcoat paint finish may damage it. Use only non-abrasive waxes and polishes that are made for a basecoat/clearcoat paint finish on your vehicle.

The vehicle has a basecoat/clearcoat paint finish. The clearcoat gives more depth and gloss to the colored basecoat. Always use waxes and polishes that are non-abrasive and made for a basecoat/clearcoat paint finish.

Foreign materials such as calcium chloride and other salts, ice melting agents, road oil and tar, tree sap, bird droppings, chemicals from industrial chimneys, etc., can damage the vehicle's finish if they remain on painted surfaces. Wash the vehicle as soon as possible. If necessary, use non-abrasive cleaners that are marked safe for painted surfaces to remove foreign matter.

Exterior painted surfaces are subject to aging, weather, and chemical fallout that can take their toll over a period of years. To help keep the paint finish looking new, keep the vehicle in a garage or covered whenever possible.

SERVICE AND APPEARANCE CARE

Windshield and Wiper Blades

If the windshield is not clear after using the windshield washer, or if the wiper blade chatters when running, wax, sap, or other material may be on the blade or windshield.

Clean the outside of the windshield with a glass cleaning liquid or powder and water solution. The windshield is clean if beads do not form when it is rinsed with water.

Grime from the windshield will stick to the wiper blades and affect their performance. Clean the blade by wiping vigorously with a cloth soaked in full-strength windshield washer solvent. Then rinse the blade with water.

Check the wiper blades and clean them as necessary; replace blades that look worn.

Aluminum Wheels

CAUTION

If you use strong soaps, chemicals, abrasive polishes, cleaners, brushes, or cleaners that contain acid on aluminum or chrome-plated wheels, you could damage the surface of the wheel(s). The repairs would not be covered by your warranty. Use only SUZUKI-approved cleaners on aluminum or chrome-plated wheels.

Keep the wheels clean using a soft clean cloth with mild soap and water. Rinse with

SERVICE AND APPEARANCE CARE

clean water. After rinsing thoroughly, dry with a soft clean towel. A wax may then be applied.

CAUTION

Using chrome polish on aluminum wheels could damage the wheels. The repairs would not be covered by your warranty. Use chrome polish on chrome wheels only.

The surface of these wheels is similar to the painted surface of the vehicle. Do not use strong soaps, chemicals, abrasive polishes, abrasive cleaners, cleaners with acid, or abrasive cleaning brushes on them because the surface could be damaged. Do not use chrome polish on aluminum wheels.

CAUTION

If you drive your vehicle through an automatic car wash that has silicone carbide tire cleaning brushes, you could damage the aluminum or chrome-plated wheels. The repairs would not be covered by your warranty. Never drive a vehicle equipped with aluminum or chrome-plated wheels through an automatic car wash that uses silicone carbide tire cleaning brushes.

Do not take the vehicle through an automatic car wash that has silicone carbide tire cleaning brushes. These brushes can also damage the surface of these wheels.

Tires

To clean the tires, use a stiff brush with tire cleaner.

CAUTION

Using petroleum-based tire dressing products on your vehicle may damage the paint finish and/or tires. When applying a tire dressing, always wipe off any overspray from all painted surfaces on your vehicle.

Sheet Metal Damage

If the vehicle is damaged and requires sheet metal repair or replacement, make sure the body repair shop applies anti-corrosion material to parts repaired or replaced to restore corrosion protection.

Original manufacturer replacement parts will provide the corrosion protection while maintaining the warranty.

Finish Damage

Any stone chips, fractures or deep scratches in the finish should be repaired right away. Bare metal will corrode quickly and may develop into major repair expense.

Minor chips and scratches can be repaired with touch-up materials available from your

SUZUKI dealer. Larger areas of finish damage can be corrected in your SUZUKI dealer's body and paint shop.

Underbody Maintenance

Chemicals used for ice and snow removal and dust control can collect on the underbody. If these are not removed, corrosion and rust can develop on the underbody parts such as fuel lines, frame, floor pan, and exhaust system even though they have corrosion protection.

At least every spring, flush these materials from the underbody with plain water. Clean any areas where mud and debris can collect. Dirt packed in close areas of the frame should be loosened before being flushed. Your dealer or an underbody car washing system can do this for you.

Chemical Paint Spotting

Some weather and atmospheric conditions can create a chemical fallout. Airborne pollutants can fall upon and attack painted surfaces on the vehicle. This damage can take two forms: blotchy, ring-shaped discolorations, and small, irregular dark spots etched into the paint surface.

Although no defect in the paint job causes this, SUZUKI will repair, at no charge to the owner, the surfaces of new vehicles damaged by this fallout condition within 12 months or 12000 miles (20000 km) of purchase, whichever occurs first.

SERVICE AND APPEARANCE CARE

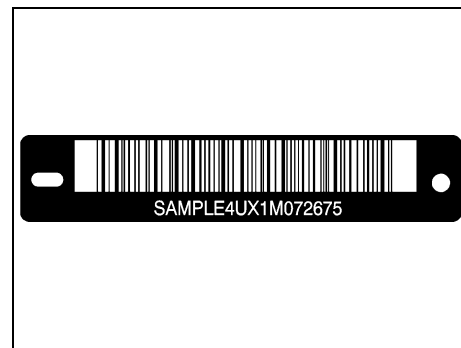
Vehicle Care/Appearance Materials

Description	Usage
Polishing Cloth Wax-Treated	Interior and exterior polishing cloth.
Tar and Road Oil Remover	Removes tar, road oil, and asphalt.
Chrome Cleaner and Polish	Use on chrome or stainless steel.
White Sidewall Tire Cleaner	Removes soil and black marks from whitewalls.
Vinyl Cleaner	Cleans vinyl.
Glass Cleaner	Removes dirt, grime, smoke and fingerprints.
Chrome and Wire Wheel Cleaner	Removes dirt and grime from chrome wheels and wire wheel covers.
Finish Enhancer	Removes dust, fingerprints, and surface contaminants. Spray on and wipe off.
Swirl Remover Polish	Removes swirl marks, fine scratches, and other light surface contamination.

Description	Usage
Cleaner Wax	Removes light scratches and protects finish.
Foaming Tire Shine Low Gloss	Cleans, shines, and protects in one step. No wiping necessary.
Wash Wax Concentrate	Medium foaming shampoo. Cleans and lightly waxes. Biodegradable and phosphate free.
Spot Lifter	Quickly removes spots and stains from carpets vinyl, and cloth upholstery.
Odor Eliminator	Odorless spray odor eliminator used on fabrics, vinyl, leather and carpet.

Vehicle Identification

Vehicle Identification Number (VIN)



1410338

This is the legal identifier for your vehicle. It appears on a plate in the front corner of the instrument panel, on the driver side. You can see it if you look through the windshield from outside your vehicle. The VIN also appears on the Certification/Tire and Service Parts labels and the certificates of title and registration.

Engine Identification

The eighth character in your VIN is the engine code. This code helps you identify your vehicle's engine, specifications, and replacement parts.

SERVICE AND APPEARANCE CARE

Service Parts Identification Label

This label is on the inside of the glove box. It is very helpful if you ever need to order parts. The label has the following information:

- Vehicle Identification Number (VIN)
- Model designation
- Paint information
- Production options and special equipment

Do not remove this label from the vehicle.

Electrical System

Add-On Electrical Equipment

CAUTION
Do not add anything electrical to your vehicle unless you check with your dealer first. Some electrical equipment can damage your vehicle and the damage would not be covered by your warranty. Some add-on electrical equipment can keep other components from working as they should.

Add-on equipment can drain your vehicle's battery, even if your vehicle is not operating.

Your vehicle has an airbag system. Before attempting to add anything electrical to your vehicle, refer to "Servicing Your Airbag-Equipped Vehicle" in "Airbag System" in the "Seats and Restraint Systems" section.

Windshield Wiper Fuses

The windshield wiper motor is protected by a circuit breaker and a fuse. If the motor overheats due to heavy snow or ice, the wiper will stop until the motor cools. If the overload is caused by some electrical problem, have it fixed.

Power Windows and Other Power Options

Circuit breakers in the fuse panel protect the power seats. When the current load is too heavy, the circuit breaker opens and closes, protecting the circuit until the problem is fixed.

Fuses and Circuit Breakers

The wiring circuits in your vehicle are protected from short circuits by fuses and circuit breakers. This greatly reduces the chance of circuit overload and fire caused by electrical problems.

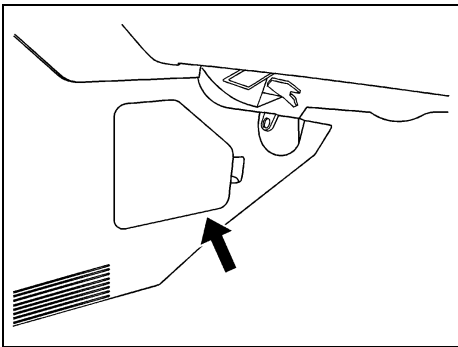
Your vehicle has an underhood fuse block and an instrument panel fuse block.

To identify and check fuses, circuit breakers, and relays, refer to the Fuse Usage Chart on the inside surface of the fuse panel door.

SERVICE AND APPEARANCE CARE

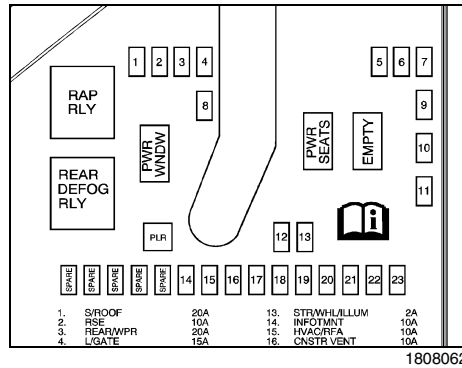
Instrument Panel Fuse Block

The instrument panel fuse block is located on the passenger's side of the center console, to the left of the glove box near the floor.



1708445

Remove the console cover to access the fuse block.



Fuses	Usage
1	Sunroof
2	Rear Seat Entertainment
3	Rear Wiper
4	Liftgate
5	Airbags
6	Heated Seats
7	Driver's Side Turn Signal
8	Door Locks
9	Automatic Occupant Sensing Module
10	Power Mirrors

Fuses	Usage
11	Passenger's Side Turn Signal
12	Amplifier
13	Steering Wheel Illumination
SPARE	Spare
SPARE	Spare
SPARE	Spare
SPARE	Spare
SPARE	Spare
14	Infotainment
15	Climate Control System, Remote Function Actuator
16	Canister Vent
17	Radio
18	Cluster
19	Ignition Switch
20	Body Control Module
21	Not Used
22	Center High-Mounted Stoplamp, Dimmer
23	Interior Lights

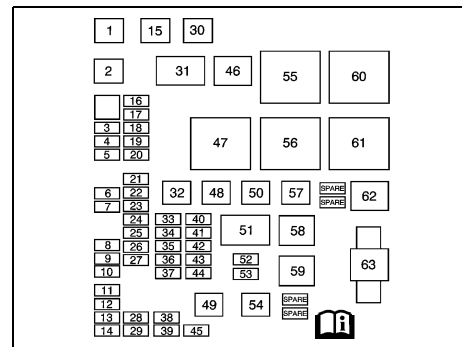
SERVICE AND APPEARANCE CARE

Relays	Usage
RAP RLY	Retained Accessory Power Relay
REAR DEFOG RLY	Rear Defogger Relay

Circuit Breakers	Usage
PWR WNDW	Power Windows
PWR SEATS	Power Seats
EMPTY	Empty

Misc.	Usage
PLR	Fuse Puller

Engine Compartment Fuse Block



1739443

The engine compartment fuse block is located on the driver's side of the engine compartment.

Refer to "Engine Compartment Overview" in this section for more information on location.

Fuses	Usage
1	Cooling Fan 2
2	Cooling Fan 1
3	Auxiliary Power
4	Rear Climate Control
5	Spare
6	Spare
7	Anti-lock Brake System
8	Air Conditioning Clutch
9	Driver's Side Low-Beam
10	Daytime Running Lamp 2
11	Passenger's Side High-Beam
12	Passenger's Side Park Lamp
13	Horn
14	Driver's Side Park Lamp
15	Starter
16	Electronic Throttle Control, Engine Control Module
17	Emission Device 1

SERVICE AND APPEARANCE CARE

Fuses	Usage
18	Even Coils, Injectors
19	Odd Coils, Injectors
20	Emission Device 2
21	Spare
22	Powertrain Control Module, Ignition
23	Transmission
24	Mass Airflow Sensor
25	Airbag Display
26	Spare
27	Stoplamp
28	Passenger's Side Low-Beam
29	Driver's Side High-Beam
30	Battery Main 3
32	Spare
33	Engine Control Module, Battery
34	Transmission Control Module, Battery
35	Trailer Park Lamp
36	Front Wiper

Fuses	Usage
37	Driver's Side Trailer Stoplamp, Turn Signal
38	Spare
39	Fuel Pump
40	Rear Accessory Power Outlet
41	All-Wheel Drive
42	Regulated Voltage Control
43	Passenger's Side Trailer Stoplamp, Turn Signal
44	Spare
45	Front, Rear Washer
48	Rear Defogger
49	Anti-lock Brake System Motor
50	Battery Main 2
52	Daytime Running Lamps
53	Fog Lamps
54	Climate Control System Blower
57	Battery Main 1
63	Electric Power Steering

Relays	Usage
31	Ignition Main
46	Air Conditioning Compressor Clutch
47	Powertrain
51	Spare
55	Crank
56	Fan 1
58	Passenger's Side Trailer Stoplamp, Turn Signal
59	Driver's Side Trailer Stoplamp, Turn Signal
60	Fan 3
61	Fan 2
62	Fuel Pump

SERVICE AND APPEARANCE CARE

Capacities and Specifications

The following approximate capacities are given in English and metric conversions. Refer to "Recommended Fluids and Lubricants" in "Maintenance Schedule" in the "Maintenance Schedule" section for more information.

Application	Capacities	
	English	Metric
Air Conditioning Refrigerant R134a	For the air conditioning system refrigerant charge amount, see the refrigerant caution label located under the hood. See your dealer for more information.	
Cooling System		
Front Only Climate Control System	12.7 qt	12.0 L
Front and Rear Climate Control System	13.1 qt	12.4 L
Fuel Tank	18.5 gal	70.0 L
Transaxle Fluid	4.1 qt	3.9 L
Wheel Nut Torque	100 lb ft	140 N·m
All capacities are approximate. When adding, be sure to fill to the approximate level, as recommended in this manual. Recheck fluid level after filling.		

Engine Specifications

Engine	VIN Code	Transaxle	Spark Plug Gap
3.6 L V6	7	Automatic	0.043 inches (1.10 mm)

MAINTENANCE SCHEDULE

MAINTENANCE SCHEDULE

Maintenance Schedule 6-1
Scheduled Maintenance except CANADA 6-3
For CANADA Scheduled Maintenance 6-8
Owner Checks and Services 6-13

MAINTENANCE SCHEDULE

Maintenance Schedule

Introduction

Important: Keep engine oil at the proper level and change as recommended.

Maintenance Requirements

CAUTION

Maintenance intervals, checks, inspections, replacement parts, and recommended fluids and lubricants as prescribed in this manual are necessary to keep your vehicle in good working condition. Any damage caused by failure to follow scheduled maintenance might not be covered by warranty.

Your Vehicle and the Environment

Proper vehicle maintenance not only helps to keep your vehicle in good working condition, but also helps the environment. All recommended maintenance is important. Improper vehicle maintenance can even affect the quality of the air we breathe. Improper fluid levels or the wrong tire inflation can increase the level of emissions from your vehicle. To help protect our environment, and to keep your vehicle in good condition, be sure to maintain your vehicle properly.

Using the Maintenance Schedule

We want to help you keep your vehicle in good working condition. But we do not know exactly how you will drive it. You may drive very short distances only a few times a week. Or you may drive long distances all the time in very hot, dusty weather. You may use your vehicle in making deliveries. Or you may drive it to work, to do errands, or in many other ways.

Because of all the different ways people use their vehicles, maintenance needs vary. You may need more frequent checks and replacements. So please read the following and note how you drive. If you have any questions on how to keep your vehicle in good condition, see your dealer.

This schedule is for vehicles that:

- carry passengers and cargo within recommended limits. You will find these limits on the Tire and Loading Information label. Refer to "Loading Your Vehicle" in "Your Driving, the Road, and Your Vehicle" in the "Driving Your Vehicle" section.
- are driven on reasonable road surfaces within legal driving limits.
- use the recommended fuel. Refer to "Gasoline Octane" in "Fuel" in the "Service and Appearance Care" section.

The services in "Scheduled Maintenance" in this section should be performed when indicated. Refer to "Additional Required Services" in this section for further information.

WARNING

Performing maintenance work on a vehicle can be dangerous. In trying to do some jobs, you can be seriously injured. Do your own maintenance work only if you have the required know-how and the proper tools and equipment for the job. If you have any doubt, see your dealer to have a qualified technician do the work. Refer to "Doing Your Own Service Work" in the "SERVICE AND APPEARANCE CARE" section.

MAINTENANCE SCHEDULE

Some maintenance services can be complex. So, unless you are technically qualified and have the necessary equipment, you should have your dealer do these jobs.

When you go to your dealer for your service needs, you will know that trained and supported service technicians will perform the work using genuine parts.

“Owner Checks and Services” in this section tells you what should be checked, when to check it, and what you can easily do to help keep your vehicle in good condition.

The proper replacement parts, fluids, and lubricants to use are listed in “Recommended Fluids and Lubricants” and “Normal Maintenance Replacement Parts” in this section. When your vehicle is serviced, make sure these are used. All parts should be replaced and all necessary repairs done before you or anyone else drives the vehicle.

Scheduled Maintenance

When the change engine oil light and/or CHANGE ENGINE OIL SOON message comes on, it means that service is required for your vehicle. Have your vehicle serviced as soon as possible within the next 600 miles (1000 km). It is possible that, if you are driving under the best conditions, the engine oil life system may not indicate that vehicle service is necessary for over a year. However, the engine oil and filter must be changed at least once a year (or 10 months if operated in Canada) and at this time the system must be reset. Your dealer has trained service technicians who will perform this work using genuine parts and reset the system.

If the engine oil life system is ever reset accidentally, you must service your vehicle within 3000 miles (5000 km) since your last service. Remember to reset the oil life system whenever the oil is changed. Refer to “Engine Oil Life System” in “Checking Things Under the Hood” in the “Service and Appearance Care” section for information on the Engine Oil Life System and resetting the system.

For ALL except CANADA

When the change engine oil light and/or CHANGE ENGINE OIL SOON message appears, certain services, checks, and inspections are required. Required services are described in the following for “Maintenance I” and “Maintenance II”.

Generally, it is recommended that your first service be Maintenance I, your second service be Maintenance II, and that you alternate Maintenance I and Maintenance II thereafter. However, in some cases, Maintenance II may be required more often.

Maintenance I

Use Maintenance I if the light/message comes on within 10 months since the vehicle was purchased or Maintenance II was performed.

Maintenance II

Use Maintenance II if the previous service performed was Maintenance I. Always use Maintenance II whenever the light/message comes on 10 months or more since the last service or if the light/message has not come on at all for one year.

For CANADA

Use For CANADA Scheduled Maintenance if the light/message comes on or if more than 10 months have elapsed since the most recent maintenance service was performed.

MAINTENANCE SCHEDULE

Scheduled Maintenance except CANADA

Service	Instruction	Maintenance I	Maintenance II
Change engine oil and filter.	<ul style="list-style-type: none"> Change engine oil and filter if the light/message has not come on at all for one year. Refer to "Engine Oil" in "Checking Things Under the Hood" in the "Service and Appearance Care" section. 	•	•
Reset oil life system. An Emission Control Service.	<ul style="list-style-type: none"> If the system is ever reset accidentally, perform the maintenance service within 3000 miles (5000 km) since your last service. Refer to "Engine Oil Life System" in "Checking Things Under the Hood" in the "Service and Appearance Care" section. 	•	•
Visually check for any leaks or damage.	<ul style="list-style-type: none"> A fluid loss in any vehicle system could indicate a problem. Have the system inspected and repaired and the fluid level checked. Add fluid if needed. 	•	•
Rotate tires and check inflation pressures and wear.	<ul style="list-style-type: none"> Rotate tires every 5000 to 8000 miles (8000 to 13000 km). Refer to "Tire Inspection and Rotation" in "Tires" in the "Service and Appearance Care" section and "At Least Once a Month" in this section. 	•	•
Inspect brake system.	<ul style="list-style-type: none"> Visually inspect brake lines and hoses for proper hook-up, binding, leaks, cracks, chafing, etc. Inspect disc brake pads for wear and rotors for surface condition. Inspect drum brake linings/shoes for wear or cracks (if equipped). Inspect other brake parts, including drums, wheel cylinders, calipers, parking brake, etc. Check parking brake adjustment. 	•	•
Check engine coolant and windshield washer fluid levels and add fluid as needed.		•	•
Perform any needed additional services.	<ul style="list-style-type: none"> Refer to "Additional Required Services except CANADA" in this section. 	•	•

MAINTENANCE SCHEDULE

Service	Instruction	Maintenance I	Maintenance II
Inspect engine air cleaner filter. If necessary, replace filter.	<ul style="list-style-type: none"> • Refer to "Engine Air Cleaner/Filter" in "Checking Things Under the Hood" in the "Service and Appearance Care" section. • If you drive regularly under dusty conditions, inspect the filter at each engine oil change. 		•
Inspect suspension and steering components.	<ul style="list-style-type: none"> • Visually inspect front and rear suspension and steering system for damaged, loose, or missing parts, signs of wear. • Inspect power steering cables for proper hook-up, binding, cracks, chafing, etc. (if equipped). 		•
Inspect engine cooling system.	<ul style="list-style-type: none"> • Visually inspect hoses and have them replaced if they are cracked, swollen, or deteriorated. • Inspect all pipes, fittings and clamps; replace parts as needed. • To help ensure proper operation, a pressure test of the cooling system and pressure cap and cleaning the outside of the radiator and air conditioning condenser is recommended at least once a year. 		•
Inspect wiper blades.	<ul style="list-style-type: none"> • Visually inspect wiper blades for wear or cracking. • Replace wiper blades that appear worn or damaged or that streak or miss areas of the windshield. 		•
Inspect restraint system components.	<ul style="list-style-type: none"> • Make sure the safety belt reminder light and all your belts, buckles, latch plates, retractors, and anchorages are working properly. • Look for any other loose or damaged safety belt system parts. • If you see anything that might keep a safety belt system from doing its job, have it repaired. • Have any torn or frayed safety belts replaced. • Also look for any opened or broken airbag coverings, and have them repaired or replaced. • The airbag system does not need regular maintenance. 		•

MAINTENANCE SCHEDULE

Service	Instruction	Maintenance I	Maintenance II
Lubricate body components.	<ul style="list-style-type: none"> • Lubricate all key lock cylinders, hood latch assemblies, secondary latches, pivots, spring anchor and release pawl, hood and door hinges, rear folding seats, and liftgate hinges. • More frequent lubrication may be required when exposed to a corrosive environment such as winter road salt. • Applying silicone grease on weatherstrips with a clean cloth will make them last longer, seal better, and not stick or squeak. 		•
Inspect passenger compartment air filter.	<ul style="list-style-type: none"> • Replace the air filter, if necessary. • If you drive regularly under dusty conditions, the filter may require replacement more often. 		•
Inspect throttle system.	<ul style="list-style-type: none"> • Check system for interference or binding and for damaged or missing parts. • Replace parts as needed. • Replace any components that have high effort or excessive wear. 		•

MAINTENANCE SCHEDULE

Additional Required Services except CANADA

The following services should be performed at the first maintenance service (I or II) after the indicated miles (kilometers) shown for each item.

Additional required services

Service	Instruction	Miles (Kilometers)					
		25000 (40000)	50000 (80000)	75000 (120000)	100000 (160000)	125000 (200000)	150000 (240000)
Inspect fuel system for damage or leaks.		•	•	•	•	•	•
Inspect exhaust system for loose or damaged components.		•	•	•	•	•	•
Replace engine air cleaner filter.	<ul style="list-style-type: none"> • Refer to “Engine Air Cleaner/Filter” in “Checking Things Under the Hood” in the “Service and Appearance Care” section. 		•		•		•
Change automatic transaxle fluid (severe service).	<ul style="list-style-type: none"> • Change automatic transaxle fluid if the vehicle is mainly driven under one or more of these conditions: <ul style="list-style-type: none"> – In heavy city traffic where the outside temperature regularly reaches 90°F (32°C) or higher. – In hilly or mountainous terrain. – When doing frequent trailer towing. – Uses such as found in taxi, police, or delivery service 		•		•		•
Change automatic transaxle fluid (normal service).					•		
Replace spark plugs. An Emission Control Service.					•		

MAINTENANCE SCHEDULE

Service	Instruction	Miles (Kilometers)					
		25000 (40000)	50000 (80000)	75000 (120000)	100000 (160000)	125000 (200000)	150000 (240000)
Engine cooling system service (or every five years, whichever occurs first). An Emission Control Service.	<ul style="list-style-type: none"> • Drain, flush, and refill cooling system. • This service can be complex; you should have your dealer perform this service. • Refer to "Engine Coolant" in "Checking Things Under the Hood" in the "Service and Appearance Care" section for what to use. • Inspect hoses. • Clean radiator, condenser, pressure cap, and filler neck. • Pressure test the cooling system and pressure cap. 						•
Inspect engine accessory drive belt. An Emission Control Service.	<ul style="list-style-type: none"> • Visually inspect belt for fraying, excessive cracks, or obvious damage. • Replace belt if necessary. 						•

MAINTENANCE SCHEDULE

For CANADA Scheduled Maintenance

Service	Instruction	Maintenance
Change engine oil and filter.	<ul style="list-style-type: none"> • Change engine oil and filter if the light/message has not come on at all for 10 months. • Refer to “Engine Oil” in “Checking Things Under the Hood” in the “Service and Appearance Care” section. 	•
Reset oil life system. An Emission Control Service.	<ul style="list-style-type: none"> • If the system is ever reset accidentally, perform the maintenance service within 5000 km since your last service. • Refer to “Engine Oil Life System” in “Checking Things Under the Hood” in the “Service and Appearance Care” section. 	•
Visually check for any leaks or damage.	<ul style="list-style-type: none"> • A fluid loss in any vehicle system could indicate a problem. • Have the system inspected and repaired and the fluid level checked. • Add fluid if needed. 	•
Rotate tires and check inflation pressures and wear.	<ul style="list-style-type: none"> • Rotate tires every 8000 to 13000 km. • Refer to “Tire Inspection and Rotation” in “Tires” in the “Service and Appearance Care” section and “At Least Once a Month” in this section. 	•
Inspect brake system.	<ul style="list-style-type: none"> • Visually inspect brake lines and hoses for proper hook-up, binding, leaks, cracks, chafing, etc. • Inspect disc brake pads for wear and rotors for surface condition. • Inspect drum brake linings/shoes for wear or cracks (if equipped). • Inspect other brake parts, including drums, wheel cylinders, calipers, parking brake, etc. • Check parking brake adjustment. 	•
Check engine coolant and windshield washer fluid levels and add fluid as needed.		•
Perform any needed additional services.	<ul style="list-style-type: none"> • Refer to “Additional Required Services (For CANADA)” in this section. 	•

MAINTENANCE SCHEDULE

Service	Instruction	Maintenance
Inspect engine air cleaner filter. If necessary, replace filter.	<ul style="list-style-type: none"> Refer to "Engine Air Cleaner/Filter" in "Checking Things Under the Hood" in the "Service and Appearance Care" section. If you drive regularly under dusty conditions, inspect the filter at each engine oil change. 	•
Inspect suspension and steering components.	<ul style="list-style-type: none"> Visually inspect front and rear suspension and steering system for damaged, loose, or missing parts, signs of wear. Inspect power steering cables for proper hook-up, binding, cracks, chafing, etc. (if equipped). 	•
Inspect engine cooling system.	<ul style="list-style-type: none"> Visually inspect hoses and have them replaced if they are cracked, swollen, or deteriorated. Inspect all pipes, fittings and clamps; replace parts as needed. To help ensure proper operation, a pressure test of the cooling system and pressure cap and cleaning the outside of the radiator and air conditioning condenser is recommended at least once a year. 	•
Inspect wiper blades.	<ul style="list-style-type: none"> Visually inspect wiper blades for wear or cracking. Replace wiper blades that appear worn or damaged or that streak or miss areas of the windshield. 	•
Inspect restraint system components.	<ul style="list-style-type: none"> Make sure the safety belt reminder light and all your belts, buckles, latch plates, retractors, and anchorages are working properly. Look for any other loose or damaged safety belt system parts. If you see anything that might keep a safety belt system from doing its job, have it repaired. Have any torn or frayed safety belts replaced. Also look for any opened or broken airbag coverings, and have them repaired or replaced. The airbag system does not need regular maintenance. 	•

MAINTENANCE SCHEDULE

Service	Instruction	Maintenance
Lubricate body components.	<ul style="list-style-type: none"> • Lubricate all key lock cylinders, hood latch assemblies, secondary latches, pivots, spring anchor and release pawl, hood and door hinges, rear folding seats, and lift-gate hinges. • More frequent lubrication may be required when exposed to a corrosive environment such as winter road salt. • Applying silicone grease on weatherstrips with a clean cloth will make them last longer, seal better, and not stick or squeak. 	•
Inspect passenger compartment air filter.	<ul style="list-style-type: none"> • Replace the air filter, if necessary. • If you drive regularly under dusty conditions, the filter may require replacement more often. 	•
Inspect throttle system.	<ul style="list-style-type: none"> • Check system for interference or binding and for damaged or missing parts. • Replace parts as needed. • Replace any components that have high effort or excessive wear. 	•

MAINTENANCE SCHEDULE

Additional Required Services (For CANADA)

The following services should be performed at the first maintenance service after the indicated kilometers shown for each item.

Additional required services

Service	Instruction	Kilometers					
		40000	80000	120000	160000	200000	240000
Inspect fuel system for damage or leaks.		•	•	•	•	•	•
Inspect exhaust system for loose or damaged components.		•	•	•	•	•	•
Replace engine air cleaner filter.	<ul style="list-style-type: none"> Refer to "Engine Air Cleaner/Filter" in "Checking Things Under the Hood" in the "Service and Appearance Care" section. 		•		•		•
Change automatic transaxle fluid.			•		•		•
Replace spark plugs. An Emission Control Service.					•		

MAINTENANCE SCHEDULE

Service	Instruction	Kilometers					
		40000	80000	120000	160000	200000	240000
Engine cooling system service (or every five years, whichever occurs first). An Emission Control Service.	<ul style="list-style-type: none"> • Drain, flush, and refill cooling system. • This service can be complex; you should have your dealer perform this service. • Refer to "Engine Coolant" in "Checking Things Under the Hood" in the "Service and Appearance Care" section for what to use. • Inspect hoses. • Clean radiator, condenser, pressure cap, and filler neck. • Pressure test the cooling system and pressure cap. 						•
Inspect engine accessory drive belt. An Emission Control Service.	<ul style="list-style-type: none"> • Visually inspect belt for fraying, excessive cracks, or obvious damage. • Replace belt if necessary. 						•

MAINTENANCE SCHEDULE

Owner Checks and Services

These owner checks and services should be performed at the intervals specified to help ensure the safety, dependability, and emission control performance of your vehicle. Your dealer can assist you with these checks and services.

Be sure any necessary repairs are completed at once. Whenever any fluids or lubricants are added to your vehicle, make sure they are the proper ones, as shown in "Recommended Fluids and Lubricants" in this section.

Check and Service	Instruction	Timing
Engine oil level check	Refer to "At Each Fuel Fill" in this section	At each fuel fill
Engine coolant level check		
Windshield washer fluid level check		
Tire inflation check	Refer to "At Least Once a Month" in this section	At least once a month
Tire wear inspection		
Starter switch check	Refer to "At Least Once a Year" in this section	At least once a year
Automatic transaxle shift lock control system check		
Ignition transaxle lock check		
Parking brake and automatic transaxle park (P) mechanism check		
Underbody flushing service		

MAINTENANCE SCHEDULE

At Each Fuel Fill

It is important to perform these underhood checks at each fuel fill.

Engine Oil Level Check

Check the engine oil level and add the proper oil if necessary. Refer to "Engine Oil" in "Checking Things Under the Hood" in the "Service and Appearance Care" section for further details.

CAUTION

It is important to check the engine oil regularly and keep it at the proper level. Failure to keep the engine oil at the proper level can cause damage to the engine not covered by your warranty.

Engine Coolant Level Check

Check the engine coolant level and add DEX-COOL® coolant mixture if necessary. Refer to "Engine Coolant" in "Checking Things Under the Hood" in the "Service and Appearance Care" section for further details.

Windshield Washer Fluid Level Check

Check the windshield washer fluid level in the windshield washer fluid reservoir and add the proper fluid if necessary.

At Least Once a Month

Tire Inflation Check

Visually inspect your vehicle's tires and make sure they are inflated to the correct pressures. Do not forget to check the spare tire. Open the driver's door to find the Tire Information Placard which lists the recommended tire inflation pressures. Check to make sure the spare tire is stored securely. Refer to "Changing a Flat Tire" in "Tires" in the "Service and Appearance Care" section.

Tire Wear Inspection

Tire rotation may be required for high mileage highway drivers prior to the Engine Oil Life System service notification. Check the tires for wear and, if necessary, rotate the tires. Refer to "Tire Inspection and Rotation" in "Tires" in the "Service and Appearance Care" section.

At Least Once a Year

Starter Switch Check

WARNING

When you are doing this inspection, the vehicle could move suddenly. If the vehicle moves, you or others could be injured.

- 1) Before you start, be sure you have enough room around the vehicle.
- 2) Firmly apply both the parking brake and the regular brake. Refer to "Parking Brake" in "Starting and Operating Your Vehicle" in the "Features and Controls" section.
Do not use the accelerator pedal, and be ready to turn off the engine immediately if it starts.
- 3) Try to start the engine in each gear. The vehicle should start only in PARK (P) or NEUTRAL (N). If the vehicle starts in any other position, contact your dealer for service.

MAINTENANCE SCHEDULE

Automatic Transaxle Shift Lock Control System Check

⚠ WARNING

When you are doing this inspection, the vehicle could move suddenly. If the vehicle moves, you or others could be injured.

- 1) Before you start, be sure you have enough room around the vehicle. It should be parked on a level surface.
- 2) Firmly apply the parking brake. Refer to "Parking Brake" in "Starting and Operating Your Vehicle" in the "Features and Controls" section.
Be ready to apply the regular brake immediately if the vehicle begins to move.
- 3) With the engine off, turn the ignition to RUN, but do not start the engine. Without applying the regular brake, try to move the shift lever out of PARK (P) with normal effort. If the shift lever moves out of PARK (P), contact your dealer for service.

Ignition Transaxle Lock Check

While parked, and with the parking brake set, try to turn the ignition to LOCK in each shift lever position.

- The ignition should turn to LOCK only when the shift lever is in PARK (P).
- The ignition key should come out only in LOCK.

Contact your dealer if service is required.

Parking Brake and Automatic Transaxle Park (P) Mechanism Check

⚠ WARNING

When you are doing this check, your vehicle could begin to move. You or others could be injured and property could be damaged. Make sure there is room in front of your vehicle in case it begins to roll. Be ready to apply the regular brake at once should the vehicle begin to move.

Park on a fairly steep hill, with the vehicle facing downhill. Keeping your foot on the regular brake, set the parking brake.

- To check the parking brake's holding ability: With the engine running and transaxle in NEUTRAL (N), slowly remove foot pressure from the regular brake pedal. Do this until the vehicle is held by the parking brake only.

- To check the PARK (P) mechanism's holding ability: With the engine running, shift to PARK (P). Then release the parking brake followed by the regular brake.

Contact your dealer if service is required.

Underbody Flushing Service

At least every spring, use plain water to flush any corrosive materials such as winter road salt from the underbody. Take care to clean thoroughly any areas where mud and other debris can collect.

MAINTENANCE SCHEDULE

Recommended Fluids and Lubricants

Fluids and lubricants identified below by name, part number, or specification can be obtained from your dealer.

Usage	Fluid/Lubricant
Engine Oil	Engine oil which meets Standard GM6094M and displays the American Petroleum Institute Certified for Gasoline Engines starburst symbol. The proper viscosity for your vehicle's engine is an SAE 5W-30 synthetic oil or an SAE 0W-30 oil.
Engine Coolant	50/50 mixture of clean, drinkable water and use only DEX-COOL® Coolant.
Hydraulic Brake System	Delco® Supreme 11 Brake Fluid or equivalent DOT-3 brake fluid.
Automatic Transaxle	Use only T-IV Automatic Transmission Fluid (Part No. SUZUKI ATF 3317 or Mobil ATF 3309).
Hood Latch Assembly, Secondary Latch, Pivots, Spring Anchor, and Release Pawl	Lubricate Aerosol type lubricant meeting requirements of NLGI #2, Category LB or GC-LB.
Key Lock Cylinders, Hood and Door Hinges, Rear Folding Seat	Multi-Purpose Lubricant, Superlube.
Weatherstrip Conditioning	Weatherstrip Lubricant or Dielectric Silicone Grease.

MAINTENANCE SCHEDULE

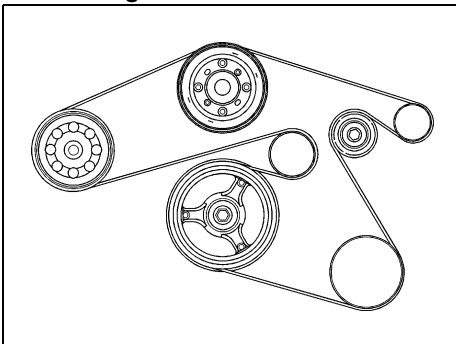
Normal Maintenance Replacement Parts

Replacement parts identified below by name, part number, or specification can be obtained from your dealer.

Part		SUZUKI Part No.
Engine Air Cleaner/Filter		13780-78J00
Engine Oil Filter		16510-78J00
Passenger Compartment Air Filter Element		95861-78J00
Replacement Battery		33610-78J00
Spark Plugs		1119A-78J00
Windshield Wiper Blades	Driver's Side – 24 inches (60.0 cm)	38340-78J00
	Passenger's Side – 19 inches (47.5 cm)	38340-78J10
	Rear – 13.0 inches (33.0 cm)	38820-78J00

Engine Drive Belt Routing

3.6L V6 Engine



1686383

MAINTENANCE SCHEDULE

Maintenance Record except CANADA

After the scheduled services are performed, record the date, odometer reading, who performed the service, and the type of services performed in the boxes provided. Refer to "Maintenance Requirements" in this section. Any additional information from "Owner Checks and Services" in this section can be added on the following record pages. You should retain all maintenance receipts.

Maintenance record

Date	Odometer Reading	Serviced By	Maintenance I or Maintenance II	Services Performed

MAINTENANCE SCHEDULE

MEMO

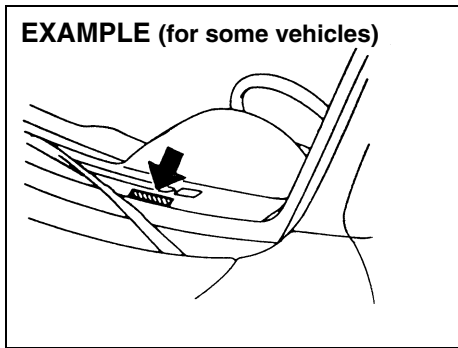
GENERAL INFORMATION

Identification Numbers 7-1
Safety Certification Label 7-1
Emission Compliance Label (for U.S.A.) 7-2
Warranties 7-2
On-Board Vehicle Computers and Event Data
Recorders 7-2
Reporting Safety Defects 7-3

GENERAL INFORMATION

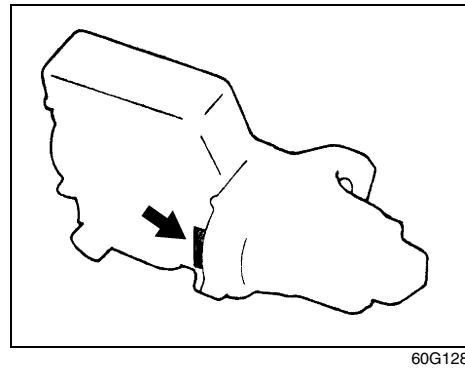
Identification Numbers

Vehicle Identification Number



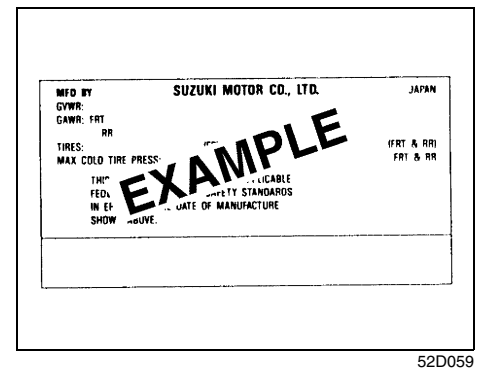
The Vehicle Identification Number (VIN) may be found in the location shown in the above illustrations. This number is used to register the vehicle. It is also used to assist your dealer when ordering parts or referring to special service information.

Engine Serial Number



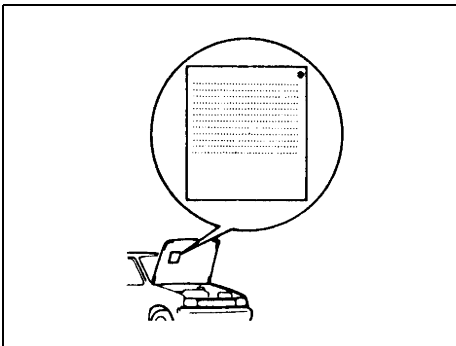
The engine serial number is stamped on the cylinder block as shown in the above illustration.

Safety Certification Label



This label contains important safety-related information about your vehicle. The label is located on the driver's door lock pillar.

Emission Compliance Label (for U.S.A.)



60A412

The EPA emission compliance label is located under the hood. It provides much of the information needed to perform an engine tune-up on your vehicle.

Warranties

The warranties covering your vehicle are explained in a separate New Vehicle Warranty Information booklet given to you at the time of sale. Please read this booklet carefully so you can understand your rights and responsibilities.

For U.S.A.

The following warranties are provided with your vehicle:

- New Vehicle Limited Warranty
- Limited Warranty For SUZUKI Parts or Accessories
- Emission Components Defect Warranty
- Emission Performance Warranty

On-Board Vehicle Computers and Event Data Recorders

Your vehicle, like other modern motor vehicles, has a number of sophisticated computer systems that monitor and control several aspects of the vehicle's performance. Your vehicle uses on-board vehicle computers to monitor emission control components to optimize fuel economy, to monitor conditions for airbag deployment and, if so equipped, to provide anti-lock braking and to help the driver control the vehicle in difficult driving situations. Some information may be stored during regular operations to facilitate repair of detected malfunctions; other information is stored only in a crash event by computer systems, such as those commonly called event data recorders (EDR).

In a crash event, computer systems, such as the Airbag Sensing and Diagnostic Module (SDM) in your vehicle may record information about the condition of the vehicle and how it was operated, such as data related to engine speed, brake application, throttle position, vehicle speed, safety belt usage, airbag readiness, airbag performance, and the severity of a collision. This information has been used to improve vehicle crash performance

GENERAL INFORMATION

and may be used to improve crash performance of future vehicles and driving safety. Unlike the data recorders on many airplanes, these on-board systems do not record sounds, such as conversation of vehicle occupants.

To read this information, special equipment is needed and access to the vehicle or the device that stores the data is required. Suzuki will not access information about a crash event or share it with others other than:

- with the consent of the vehicle owner or, if the vehicle is leased, with the consent of the lessee,
- in response to an official request of police or similar government office,
- as part of Suzuki's defense of litigation through the discovery process, or
- as required by law.

In addition, once Suzuki collects or receives data, Suzuki may:

- use the data for Suzuki research needs,
- make it available for research where appropriate confidentiality is to be maintained and need is shown, or
- share summary data which is not tied to a specific vehicle with non-Suzuki organizations for research purposes.

Others, such as law enforcement, may have access to the special equipment that can read the information if they have access to the vehicle or the device that stores the data.

Reporting Safety Defects

If you believe that your vehicle has a defect which could cause a crash or could cause injury or death, you should immediately inform the National Highway Traffic Safety Administration (NHTSA) in addition to notifying American Suzuki Motor Corp.

If NHTSA receives similar complaints, it may open an investigation, and if it finds that a safety defect exists in a group of vehicles, it may order a recall and remedy campaign. However, NHTSA cannot become involved in individual problems between you, your dealer, or American Suzuki Motor Corp.

To contact NHTSA, you may call the Vehicle Safety Hotline toll-free at 1-888-327-4236 (TTY: 1-800-424-9153); go to <http://www.safercar.gov>; or write to: Administrator, NHTSA, 400 Seventh Street, SW., Washington, D.C. 20590. You can also obtain other information about motor vehicle safety from <http://www.safercar.gov>.

GENERAL INFORMATION

To contact American Suzuki, owners in the continental United States can call toll-free 1-800-934-0934, or write to:

American Suzuki Motor Corporation
Automotive Customer Relations
3251 East Imperial Highway
Brea, CA 92821-6795

For owners outside the continental United States, please refer to the distributor's address listed in your Warranty Information booklet.

For vehicles registered for use and principally operated in Canada please contact Suzuki Canada Inc. at 1-905-889-2677 extension 2254 or write to:

Suzuki Canada Inc.
Customer Relations
100 East Beaver Creek Road
Richmond Hill, On
L4B 1J6

GENERAL INFORMATION

MEMO

INDEX

A

Accessories and Modifications	5-1
Accessory Power Outlet(s)	3-10
Adding Equipment to the Outside of Your Vehicle	5-1
Adding Equipment to Your Airbag-Equipped Vehicle	1-42
Additional Required Services	6-11
Additional Required Services except CANADA	6-6
Additives	5-2
Add-On Electrical Equipment	5-53
Airbag Readiness Light	3-16
Airbag System	1-33
All-Wheel Drive	5-22
All-Wheel Drive (AWD) System	4-6
All-Wheel Drive Disabled Light	3-25
Aluminum Wheels	5-50
Anti-Lock Brake System (ABS)	4-4
Anti-Lock Brake System Warning Light	3-20
Appearance Care	5-48
Assist Handles	2-22
At Each Fuel Fill	6-14
At Least Once a Month	6-14
At Least Once a Year	6-14
Audio Steering Wheel Controls	3-73
Audio System(s)	3-39
Automatic Climate Control System	3-10
Automatic Dimming Rearview Mirror	2-20
Automatic Dimming Rearview Mirror with Compass	2-20
Automatic Transaxle Fluid	5-10

Automatic Transaxle Operation	2-14
-------------------------------------	------

B

Battery	5-18
Battery Run-Down Protection	3-9
Battery Warning Light	3-19
Before Driving	2-11
Before Leaving on a Long Trip	4-12
Brake System Warning Light	3-19
Brakes	5-17
Braking	4-3
Bulb Replacement	5-23
Buying New Tires	5-34

C

California Fuel	5-2
California Proposition 65 Warning	5-1
Capacities and Specifications	5-57
Care of Safety Belts	5-49
Care of the CD and DVD Player	3-74
Care of Your CDs and DVDs	3-74
Cargo Lamp	3-9
Carrier Assembly-Differential (Rear Drive Module)	5-22
Center Console Storage Area	2-22
Change Engine Oil Light	3-24
Changing a Flat Tire	5-38
Checking the Restraint Systems	1-42
Checking Things Under the Hood	5-5
Chemical Paint Spotting	5-51
Child Restraint Systems	1-21

INDEX

Child Restraints	1-18
City Driving	4-11
Cleaning Exterior Lamps/Lenses	5-50
Cleaning the Inside of Your Vehicle	5-48
Climate Controls	3-10
Compact Spare Tire	5-47
Configurations for Use of Three Child Restraints	1-25
Configurations for Use of Two Child Restraints	1-24
Control of a Vehicle	4-3
Convenience Net	2-23
Cooling System	5-13
Cruise Control	3-5
Cruise Control Light	3-24
Cupholder(s)	2-21
D	
Daily Inspection Checklist	2-11, 2-12
Delayed Locking	2-6
DIC Operation and Displays	3-27
DIC Vehicle Personalization	3-35
DIC Warnings and Messages	3-30
Doing Your Own Service Work	5-1
Dome Lamp	3-8
Door Ajar Light	3-25
Door Locks	2-5
Doors and Locks	2-5
Driver Information Center (DIC)	3-27
Driver Position	1-11
Driver Seat Height Adjuster	1-1
Driving at Night	4-9
Driving in Rain and on Wet Roads	4-10
Drunken Driving	4-1

E

Electric Power Management	3-9
Electrical System	5-53
Electronic Stability Control	4-5
Emission Compliance Label (for U.S.A.)	7-2
Engine Air Cleaner/Filter	5-9
Engine Compartment Overview	5-6
Engine Coolant	5-11
Engine Coolant Heater	2-14
Engine Coolant Temperature Gage	3-21
Engine Coolant Temperature Warning Light	3-20
Engine Drive Belt Routing	6-17
Engine Exhaust	2-19
Engine Oil	5-7
Engine Oil Life System	5-8
Engine Overheating	5-12
Engine Serial Number	7-1

F

Fabric/Carpet	5-48
Filling a Portable Fuel Container	5-4
Filling the Tank	5-3
Finish Care	5-50
Finish Damage	5-51
Fog Lamp Light	3-24
Fog Lamps	3-8
For CANADA Scheduled Maintenance	6-8
Freeway Driving	4-11
Front Seats	1-1
Fuel	5-2
Fuel Gage	3-26
Fuels in Foreign Countries	5-3

INDEX

Fuses and Circuit Breakers	5-53	J	
G		Jump Starting	5-19
Gasoline Octane	5-2	K	
Gasoline Specifications	5-2	Keys	2-1
Gate Ajar Light	3-25	L	
Glove Box	2-21	Leather	5-49
H		Level Control	4-21
Halogen Bulbs	5-23	License Plate Lamp	5-24
Hazard Warning Flashers	3-3	Liftgate	2-7
Head Restraints	1-4	Loading Your Vehicle	4-16
Headlamps	3-7	Lockout Protection	2-6
Heated Seats	1-2	Loss of Control	4-8
Highbeam On Light	3-25	Low Fuel Warning Light	3-26
Highway Hypnosis	4-12	Lower Anchors	1-26
Hill and Mountain Roads	4-13	Lower Anchors and Tethers for Children (LATCH)	1-26
Hood Release	5-5	Luggage Carrier	2-22
Horn	3-3	M	
How Does an Airbag Restrain?	1-38	Maintenance Record except CANADA	6-18
How to Wear Safety Belts Properly	1-11	Maintenance Requirements	6-1
I		Maintenance Schedule	6-1
Identification Numbers	7-1	Malfunction Indicator Lamp	3-21
If a Tire Goes Flat	5-37	Manual Lumbar	1-2
If Your Vehicle is Stuck in Sand, Mud, Ice, or Snow	4-16	Manual Rearview Mirror	2-20
Ignition Positions	2-12	Manual Reclining Seatbacks	1-2
Infants and Young Children	1-19	Manual Seats	1-1
Inflation – Tire Pressure	5-30	Manual Shift Mode (MSM) (Automatic Transaxle)	2-16
Instrument Panel Brightness	3-8	Map Lamps	3-9
Instrument Panel Cluster	3-15	Mirrors	2-20
Instrument Panel Overview	3-1	Multi-Band Antenna	3-74
Instrument Panel, Vinyl, and Other Plastic Surfaces	5-49		

INDEX

N

National Highway Traffic Safety Administration (NHTSA)	7-3
Navigation/Radio System	3-67
New Vehicle Break-In	2-12
Normal Maintenance Replacement Parts	6-17

O

Off-Road Recovery	4-7
Oil Pressure Light	3-23
Older Children	1-18
On-Board Vehicle Computers and Event Data Recorders	7-2
Other Warning Devices	3-3
Outlet Adjustment	3-13
Outside Convex Mirrors	2-21
Outside Power Mirrors	2-21
Owner Checks and Services	6-13

P

Parking Brake	2-17
Parking Over Things That Burn	2-18
Passenger Airbag Status Indicator	3-17
Passenger Compartment Air Filter	3-14
Passenger Folding Seatback	1-5
Passenger Safety Belt Reminder Light	3-16
Passenger Sensing System	1-39
Passing	4-7
PASS-Key® III+	2-10
Power Door Locks	2-5
Power Seat	1-1
Power Steering Fluid	5-16
Power Windows	2-8

Power Windows and Other Power Options	5-53
Programmable Automatic Door Locks	2-6

Q

Questions and Answers About Safety Belts	1-10
--	------

R

Radio Reception	3-74
Radio with CD (Base)	3-41
Radio with CD (MP3)	3-44
Radio with CD and DVD (MP3)	3-49
Rear Air Conditioning and Heating System	3-13
Rear Air Conditioning and Heating System and Electronic Climate Controls	3-14
Rear Door Security Locks	2-6
Rear Seat Entertainment System	3-67
Rear Seat Passengers	1-15
Rear Seats	1-6
Rear Window Wiper/Washer	3-5
Recommended Fluids and Lubricants	6-16
Recreational Vehicle Towing	4-20
Reduced Engine Power Light	3-24
Remote Keyless Entry (RKE) System	2-1
Remote Keyless Entry (RKE) System Operation	2-2
Remote Vehicle Start	2-4
Replacement Bulbs	5-24
Replacing Restraint System Parts After a Crash	1-43
Reporting Safety Defects	7-3
Restraint System Check	1-42
Retained Accessory Power (RAP)	2-13
Right Front Passenger Position	1-15
Running the Engine While Parked	2-19

INDEX

S

Safety Belt Extender	1-18
Safety Belt Pretensioners	1-18
Safety Belt Reminder Light	3-16
Safety Belts: They Are for Everyone	1-9
Safety Certification Label	7-1
Scheduled Maintenance	6-2
Scheduled Maintenance except CANADA	6-3
Securing a Child Restraint Designed for the LATCH System	1-28
Securing a Child Restraint in a Rear Seat Position	1-29
Securing a Child Restraint in the Right Front Seat Position	1-31
Securing an Add-on Child Restraint in the Vehicle	1-23
Securing the Child Within the Child Restraint	1-23
Security Light	3-24
Service	5-1
Service All-Wheel Drive Light	3-25
Service Parts Identification Label	5-53
Service Vehicle Soon Light	3-26
Servicing Your Airbag-Equipped Vehicle	1-42
Sheet Metal Damage	5-51
Shifting Into Park (P)	2-17
Shifting Out of Park (P)	2-18
Speedometer and Odometer	3-15
Split Folding the Second Row Seat	1-6
Starting and Operating Your Vehicle	2-12
Starting the Engine	2-13
Steering	4-6
Storage Areas	2-21
Storing a Full-Sized Flat Tire	5-46

Sun Visors	2-9
Sunroof	2-24
T	
Tachometer	3-16
Taillamps, Turn Signal, Stoplamps and Back-up Lamps	5-23
Theft-Deterrent Feature	3-73
Theft-Deterrent Systems	2-9
Tilt Wheel	3-3
Tire Chains	5-37
Tire Inspection and Rotation	5-33
Tire Pressure Light	3-21
Tire Pressure Monitor System	5-31
Tire Sidewall Labeling	5-26
Tire Size	5-27
Tire Terminology and Definitions	5-28
Tires	5-26, 5-51
Top Tether Anchor	1-27
Towing	4-20
Towing Your Vehicle	4-20
Traction Control System (TCS)	4-5
Traction Control System (TCS) Warning Light	3-20
Transfer Case (Power Transfer Unit)	5-22
Trip Odometer	3-15
Turn Signal/Multifunction Lever	3-3
U	
Underbody Maintenance	5-51
Uniform Tire Quality Grading	5-35
Using the Maintenance Schedule	6-1
V	
Vehicle Care/Appearance Materials	5-52

INDEX

Vehicle Identification	5-52
Vehicle Identification Number	7-1
Vehicle Identification Number (VIN)	5-52
W	
Warning Lights, Gages, and Indicators	3-15
Warranties	7-2
Washing Your Vehicle	5-49
Weatherstrips	5-49
What Makes an Airbag Inflate?	1-38
What Will You See After an Airbag Inflates?	1-38
Wheel Alignment and Tire Balance	5-36
Wheel Replacement	5-37
When It Is Time for New Tires	5-34
When Should an Airbag Inflate?	1-37
Where Are the Airbags?	1-35
Where to Put the Restraint	1-24
Windows	2-8
Windshield and Wiper Blades	5-50
Windshield Washer	3-5
Windshield Washer Fluid	5-16
Windshield Wiper Blade Replacement	5-25
Windshield Wiper Fuses	5-53
Windshield Wipers	3-4
Winter Driving	4-14
Y	
Your Driving, the Road, and Your Vehicle	4-1
Your Vehicle and the Environment	6-1

SERVICE STATION INFORMATION

Fuel recommendation:

See page 5-2

Engine oil recommendation:

Engine oil with "Starburst" symbol

Standard: GM6094M

Viscosity: SAE 5W-30

For further details, see "Engine Oil" in the
"SERVICE AND APPEARANCE CARE" section.

Brake and clutch fluid:

DOT3

Tire cold pressure:

See the "Tire Information Label" located on the
driver's door lock pillar.



99011-78J00-03E

SUZUKI MOTOR CORPORATION

Printed in U.S.A.

Suzuki Red: Magenta 100%, Yellow 100%

Suzuki Blue: Cyan 100%, Magenta 70%